

DDAL-R1 Series

Selectable CCT and Wattage LED Barn Light Specifications

Project _____

Date _____ Type _____



DDAL-R1-SW3B60S-JL

Available Models¹

- DDAL-R1-SW3B60S-JL
- DDAL-R1-SW3B60S-SC
- DDAL-R1-SW3B120S-JL
- DDAL-R1-SW3B120S-SC

Part Number Breakdown

Example: DDAL-R1-SW3B60S-JL



Series	Color Temperature	Wattage	Accessory
DDAL-R1 [Dusk-to-Dawn Area Light]	SW3B [Selectable, 3000K / 4000K / 5000K]	60S [Selectable, 40/50/60 W]	JL [Photocell]
		120S [Selectable, 80/100/120 W]	SC [Shorting Cap]

Description

This LED Dusk To Dawn Area Light features field-selectable wattage and CCT for a variety of applications. Access the wattage and color temperature selection switches by removing the M25 waterproof cap on the back of the fixture. The area light delivers a 120° beam angle, ideal for general area lighting. Available with an optional photocell for automatic dusk-to-dawn operation or with a shorting cap for manual or continuous operation. The fixture has a die-cast aluminum housing and shatterproof polycarbonate lens, making it weather- and corrosion-resistant. Surface mount using the included hardware, pole mount on an existing pole, or pole mount using the compatible mounting arm (sold separately).

Features

- Field-selectable wattage and CCT for versatility
- Equivalent up to a 320W metal halide fixture
- Durable die-cast aluminum housing and polycarbonate lens
- Optional photocell for dusk-to-dawn operation

Product Details

- Black die-cast aluminum housing
- Polycarbonate lens
- IP65 waterproof
- 120° beam angle
- 0-10V dimming
- 120-277 VAC

Warranty

- 5-year warranty

Applications

- Alleyways
- Area Lighting
- Commercial Shop Yards
- Driveways
- Farm Building
- Garages
- Metal Buildings
- Parking Lots
- Pole Barns
- Residential Roads
- Secondary Streets
- Security Lighting
- Service Roads
- Utility Poles

Certifications and Compliances

- Certified by UL - UL 1598 (IFAM)



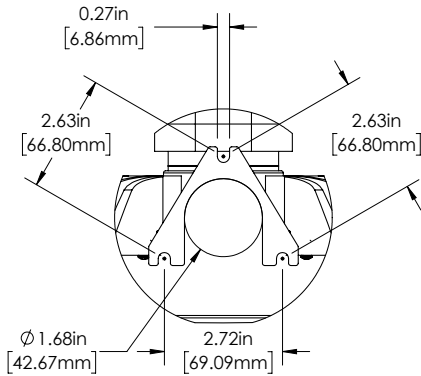
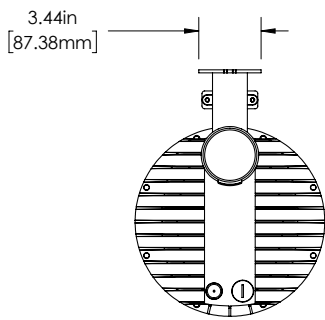
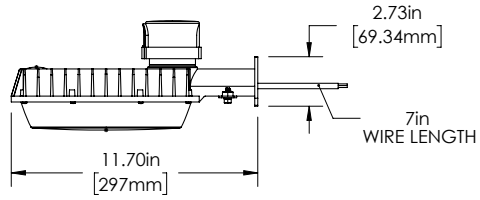
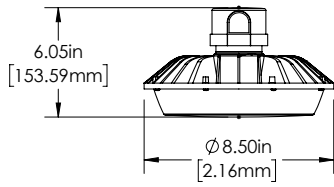
¹Contact customer service if interested in other options.

DDAL-R1 Series

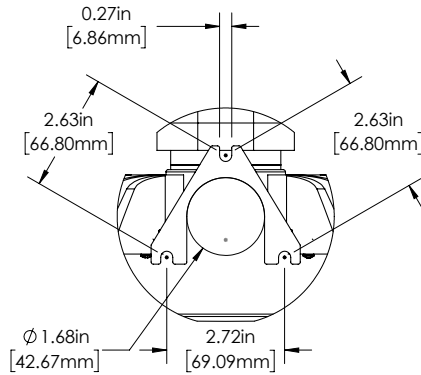
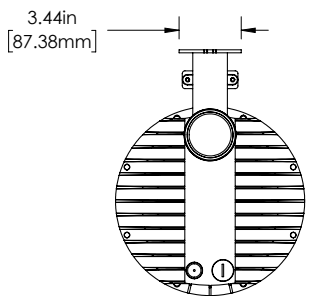
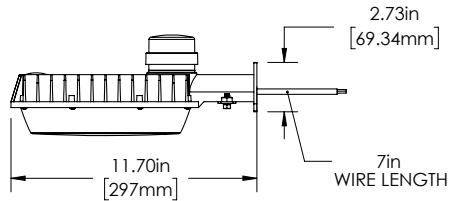
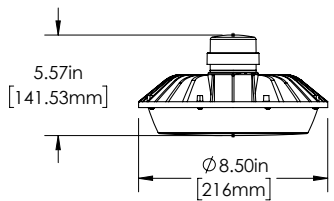
Selectable CCT and Wattage LED Barn Light Specifications

Dimensional Drawing

DDAL-R1-SW3B60S-JL



DDAL-R1-SW3B60S-SC

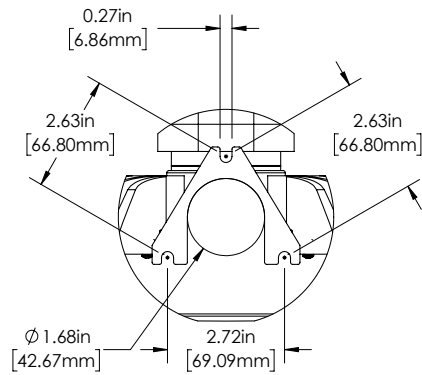
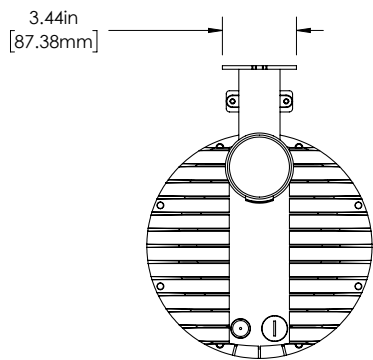
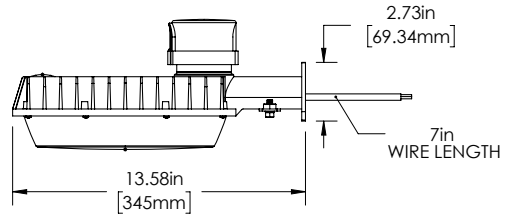
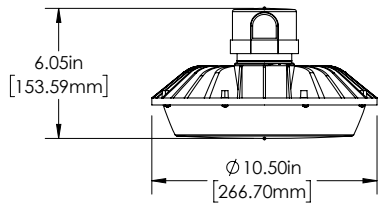


DDAL-R1 Series

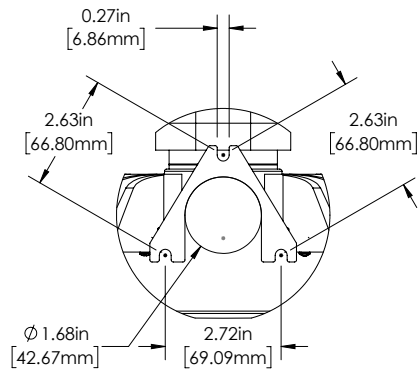
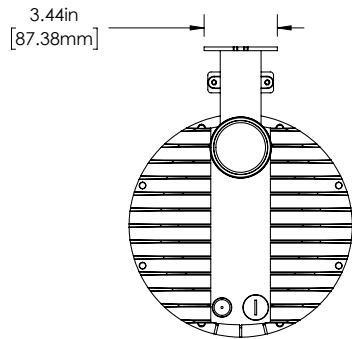
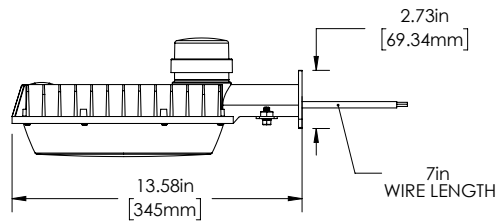
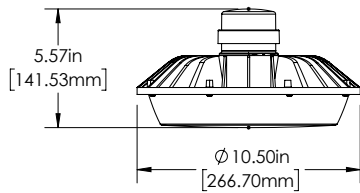
Selectable CCT and Wattage LED Barn Light Specifications

Dimensional Drawing

DDAL-R1-SW3B120S-JL



DDAL-R1-SW3B120S-SC



DDAL-R1 Series

Selectable CCT and Wattage LED Barn Light Specifications

Specifications

Model		DDAL-R1-SW3B60S-x	DDAL-R1-SW3B120S-x
Power Consumption		Selectable (40 W / 50 W / 60 W)	Selectable (80 W / 100 W / 120 W)
Intensity		5,200 / 6,500 / 7,800 lm	10,400 / 13,000 / 15,600 lm
Current Draw	120 VAC	370 / 460 / 555 mA	740 / 925 mA / 1.1 A
	277 VAC	160 / 200 / 240 mA	320 / 400 / 480 mA
Product Weight		2.6 lb (1.2 kg)	4.0 lb (1.8 kg)
Operating Voltage		120-277 VAC	
Power Factor		≥0.9	
Efficacy		130 lm/W	
Color Temperature		Selectable (3000K / 4000K / 5000K)	
Beam Angle		120°	
CRI		70+	
Dimming		0-10 V	
IP Rating		IP65	
Surge Protection		L-N: 4 kV; LN-PG: 5 kV	
Finish		Black	
Rated Life (L70)		50,000 hours	
Ambient Operating Temperature		-22°-113° F (-35°-45° C)	

