



SLD-H1-50K750H-M



Description

SLD Series LED stadium sports lights are ideal for outdoor applications in commercial and industrial locations. These reliable lights have a high 160 lumens per watt efficacy for energy savings. The die-cast aluminum has high thermal conductivity for optimal heat dissipation and a durable, weather-resistant powder-coat finish. An impact-resistant polycarbonate lens protects the LEDs. Customize the beam angle using optional lenses to get excellent lighting for your specific application.

Construction/Mechanical

- Gray powder-coated diecast aluminum housing
- Glass outer lens and polycarbonate inner lens
- IP66 waterproof rated, suitable for wet locations
- IK08 impact resistant

Electrical

- 200-480 VAC input
- 0-10 V dimming
- 100,000 hour LED lifetime
- ≥0.9 power factor

Photometrics

- 160 lm/W
- 30° beam angle²
- 70+ CRI

Available Models¹

- SLD-H1-50K500H-M
- SLD-H1-50K750H-M
- SLD-H1-50K1000H-M

Part Number Breakdown

Example: SLD-H1-50K750H-M

Series	Product Code	CCT	Wattage	Input Voltage	Driver
SLD	H1 [H1]	50K [5000K]	750 [750 watts]	H [200-480 VAC]	M [Moso]

Application

Easily replaces traditional HID and metal-halide fixtures in commercial and industrial applications. Ideal for use in sports and recreational fields, large-scale outdoor events, crane lighting, airports, industrial and construction sites, and harbors. These can also be used for outdoor security lighting.

Certifications and Compliances

These lights are Certified by UL to UL 1598 and UL 8750 standards and are also listed as DLC 5.1 Premium.



Warranty

- 5-year warranty

Optional Accessories

Lenses

- 15° Polycarbonate lens (SLD-H1-15)
- 30° Polycarbonate lens (SLD-H1-30)
- 45° Polycarbonate lens (SLD-H1-45)
- 60° Polycarbonate lens (SLD-H1-60)

Reflector

- Polycarbonate reflector (SLD-H1-R)

Product Page QR Code

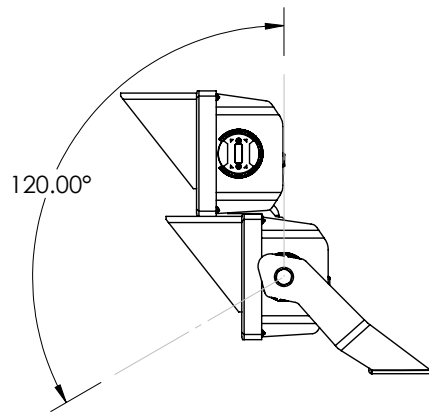
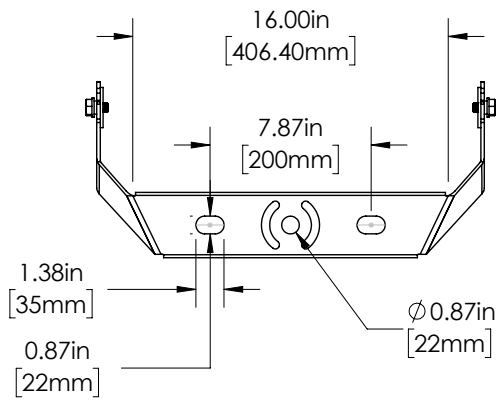
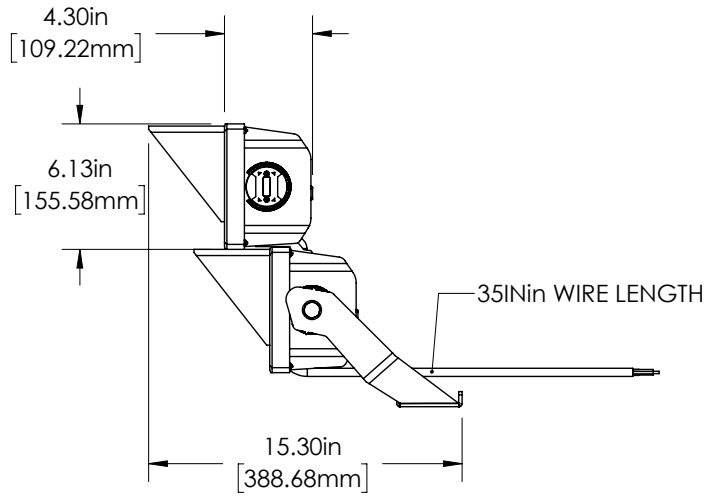
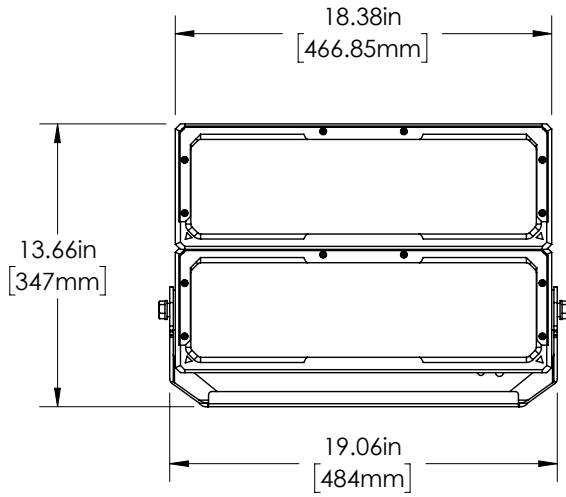


¹Contact customer service if interested in options other than those listed.

²Varies based on selected lens option

Dimensional Drawings

SLD-H1-50K500H-M

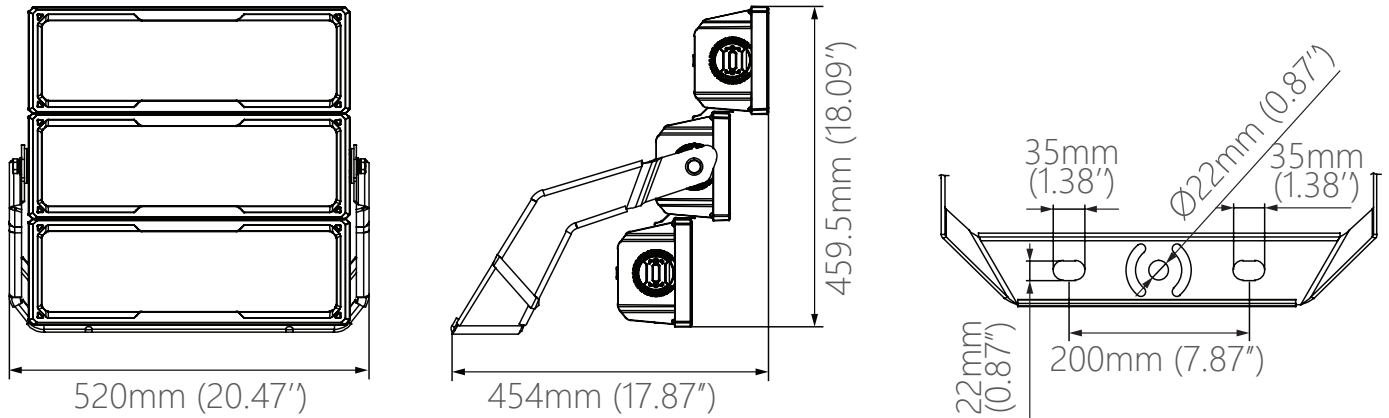


SLD Series

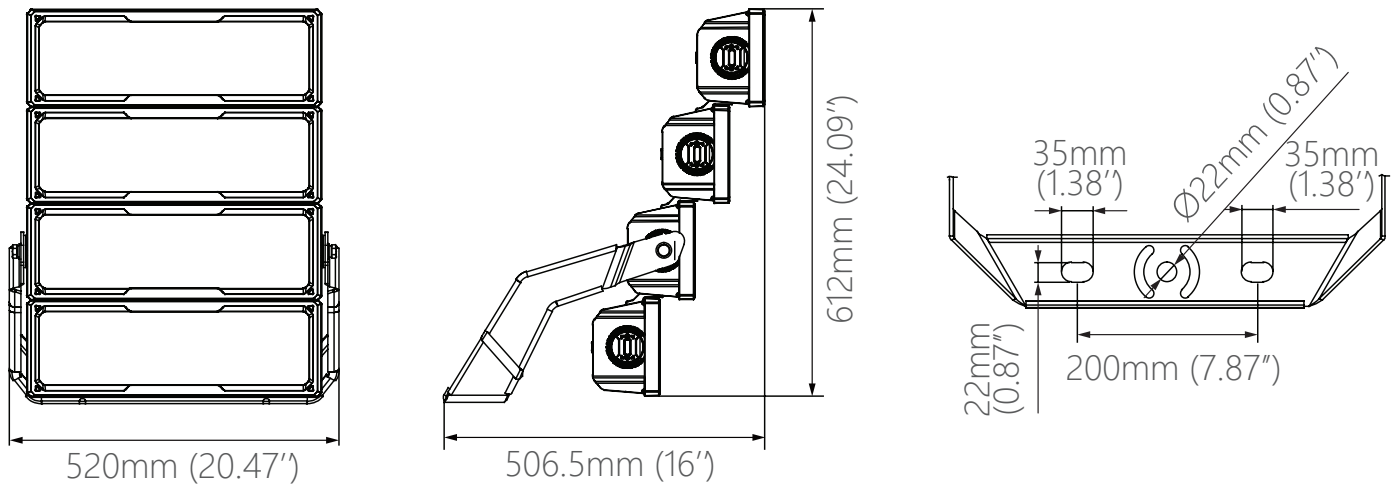
LED Stadium Sports Lights Specifications

Dimensional Drawings

SLD-H1-50K750H-M



SLD-H1-50K1000H-M



Specifications

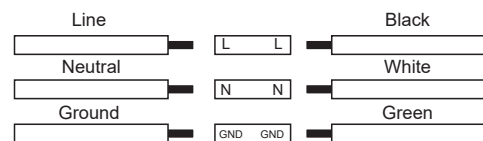
SLD		H1-50K500H-M	H1-50K750H-M	H1-50K1000H-M
Intensity		80,000 lm	120,000 lm	160,000 lm
Power Consumption		500 W	750 W	1000 W
Current Draw	200 VAC	2.5 A	4.1 A	5.5 A
	480 VAC	1.1 A	1.7 A	2.3 A
EPA		1.84 ft ²	2.76 ft ²	3.68 ft ²
Operating Voltage		200-480 VAC		
Efficacy		160 lm/W		
Color Temperature		5000K		
Beam Angle ²		30°		
CRI		70+		
Power Factor		≥ 0.9		
Dimming		0-10 V		
Environmental Rating		Suitable for wet locations		
IP Rating		IP66 waterproof		
Impact Rating		IK08		
Surge Protection		10 kV		
Ambient Operating Temperature		-22°-113° F (-30°-45° C)		
Rated Life (L70)		100,000 hours		
Weight (aprox.)		26.5 lb (12 kg)	41.9 lb (19 kg)	54.0 lb (24.5 kg)

²Varies based on selected lens option

Lens	15	30	45	60
Beam Angle	15°	30°	45°	60°
NEMA Distribution	3x3	4x4	5x5	6x6

Wiring Diagram

200-480 VAC Input



0-10 V Dimming

