

SMCC2-W40K3-12V

Available Models¹

2-LED Modules

- SMCC2-W40K2-12V
- SMCC2-W65K2-12V
- SMCC2-WR2-12V
- SMCC2-WB2-12V

3-LED Modules

- SMCC2-W40K3-12V
- SMCC2-W65K3-12V
- SMCC2-WR3-12V
- SMCC2-WG3-12V
- SMCC2-WB3-12V

4-LED Modules

- SMCC2-W40K4-12V
- SMCC2-W65K4-12V
- SMCC2-WR4-12V

Part Number Breakdown

Example: SMCC2-W40K3-12V

Series	Housing Color	CCT or Color		LED Quantity ²	Voltage
SMCC2 [Sign module, constant current]	W [white]	40K [4000K] 65K [6500K]	B [blue] G [green] R [red]	2 [2 LEDs]	12V [12 VDC]
				3 [3 LEDs]	
				4 [4 LEDs]	

Overview

These LED modules have a high quality optical design that provides a wide beam of light ideal for sign backlighting, channel letters, and stage construction. Each module has LEDs with optical lenses that ensure even illumination free of hotspots. Screw holes allow for more permanent mounting, while 3M™ adhesive backing simplifies set up and take down for trade show displays. A flexible solution for sign and display builders, electrical contractors, or manufacturers, these modules have sealed weatherproof housing for various lighting design applications. Dimmable with optional controllers. Available in 20- and 100-packs.

Features

- 170° beam angle for uniform light distribution
- Even illumination even in shallow channel letters
- Optics create smooth light with no hotspots
- 3M™ adhesive backing for easy install
- UL Recognized component

Product Details

- 5.5 inches of wire between each module
- Constant voltage power supply required
- Max run of up to 30 modules
- Rated IP65 for wet locations
- Enclosed fixture rated
- 12 VDC

Certifications and Complies

- UL Recognized- UL 879 (UYMR2)



Warranty

- 5-year warranty



SMCC2 Series

LED Sign Module Specifications

SPECIFICATIONS						
Model	WxK2-12V	WxK3-12V	WxK4-12V	Wx2-12V	Wx3-12V	Wx4-12V
PHOTOMETRIC						
Lumens ³	125 lumens	185 lumens	250 lumens	N/A		
LED Color/CCT	4000K or 6500K (as ordered)			Red, Green, or Blue (as ordered) ²		
Beam Angle	170°					
ELECTRICAL						
Current Draw ³	100 mA	150 mA	200 mA	83 mA	125 mA	125 mA
Operating Voltage	12 VDC					
Dimmer Type	PWM					
MECHANICAL						
Max Run ⁴	30 modules	20 modules	20 modules	30 modules	20 modules	20 modules
LED Chip Type	2835 SMD					
Product Materials	Plastic					
Rated Life (L70)	35000 Hours					
Wire Gauge	22 AWG					
ENVIRONMENTAL						
IP Rating	IP65					
Environmental Rating	Suitable for Wet Locations					
Ambient Operating Temperature	-20 to 45 °C (-4 to 113 °F)					

³Specification is per module.

⁴Max run for identical modules using a single power supply.
Do not exceed 3 A max load if using multiple module sizes.



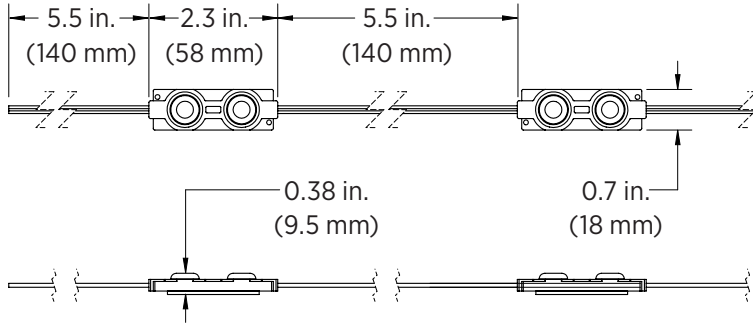
SMCC2 Series

LED Sign Module Specifications

Dimensional Drawings

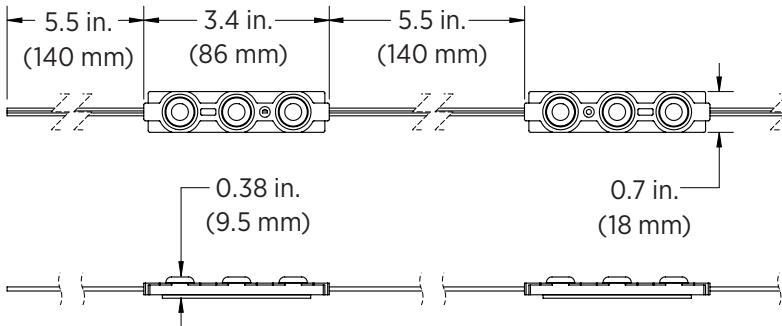
SMCC2-WxK2-12V / SMCC2-Wx2-12V

Total run length of a set of modules is 13.4 ft (4.09 m).



SMCC2-WxK3-12V / SMCC2-Wx3-12V

Total run length of a set of modules is 15.3 ft (4.65 m).



SMCC2-WxK4-12V / SMCC2-Wx4-12V

Total run length of a set of modules is 13 ft (3.96 m).

