

SMCC2 Series

LED Sign Module Specifications

Project _____

Date _____ Type _____



SMCC2-W40K3-12V



Available Models¹

4000K

- SMCC2-W40K2-12V
- SMCC2-W40K3-12V
- SMCC2-W40K4-12V

Red

- SMCC2-WR2-12V
- SMCC2-WR3-12V
- SMCC2-WR4-12V

Green

- SMCC2-WG3-12V

Blue

- SMCC2-WB2-12V
- SMCC2-WB3-12V

6500K

- SMCC2-W65K2-12V
- SMCC2-W65K3-12V
- SMCC2-W65K4-12V

Part Number Breakdown

Example: SMCC2-W40K3-12V

| Series | Housing Color | CCT or Color | | LED Quantity ² | Voltage |
|---|------------------|--|------------------|---------------------------|---------------------|
| SMCC2 [Sign module, constant current] | W [white] | 40K [4000K] 65K [6500K] | B [blue] | 2 [2 LEDs] | 12V [12 VDC] |
| | | | G [green] | 3 [3 LEDs] | |
| | | | R [red] | 4 [4 LEDs] | |

Overview

With their high-quality optic design, these single-color LED modules provide a wide beam of light ideal for sign backlighting, channel letters, and stage construction. Each module contains 2, 3, or 4 LEDs with prismatic lenses to ensure a smooth, broad illumination free of hotspots. Screw holes allow for more permanent mounting, while 3M™ adhesive backing simplifies set up and take down for trade show displays. A flexible solution for sign and display builders, electrical contractors, or manufacturers, these modules have sealed weatherproof housing for various lighting design applications. Dimmable with optional controllers (sold separately).

Features

- 170° beam angle for uniform light distribution
- Even illumination even in shallow channel letters
- Optics create smooth light with no hotspots
- 3M™ adhesive backing for easy install
- Up To 200 mA per module
- UL Recognized component

Certifications and Compliances

- UL Recognized- UL 879 (UYMR2)



Warranty

- 5-year warranty

Product Details

- 5.5 inches of wire between each module
- Constant voltage power supply required
- Max run of up to 30 modules
- Rated IP65 for wet locations
- Enclosed fixture rated
- 12 VDC



¹ Contact customer service for additional options.
² Not all sizes may be available in all colors.

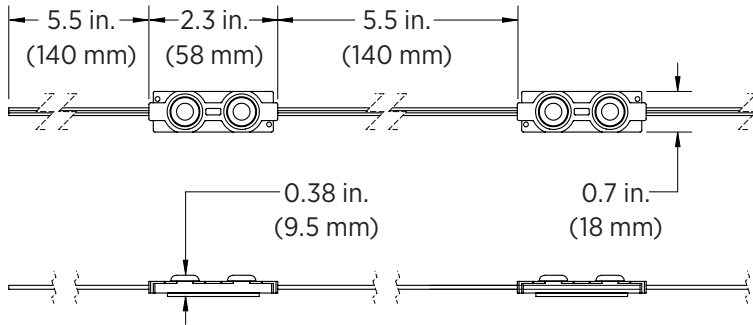
SMCC2 Series

LED Sign Module Specifications

Dimensional Drawings

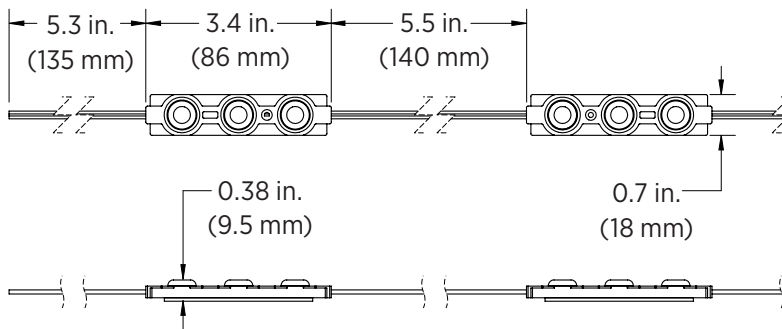
SMCC2-WxK2-12V / SMCC2-Wx2-12V

Total run length of a set of modules is 13.4 ft (4.09 m).



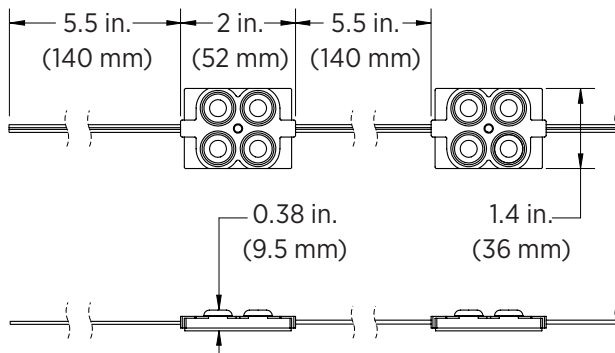
SMCC2-WxK3-12V / SMCC2-Wx3-12V

Total run length of a set of modules is 15.3 ft (4.65 m).



SMCC2-WxK4-12V / SMCC2-Wx4-12V

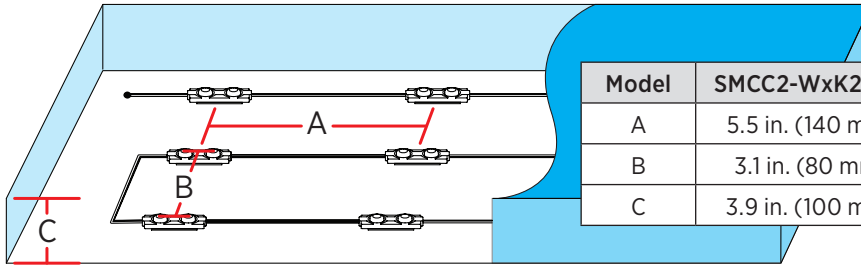
Total run length of a set of modules is 13 ft (3.96 m).



SMCC2 Series

LED Sign Module Specifications

Typical Mounting



| Model | SMCC2-WxK2-12V | SMCC2-WxK3-12V | SMCC2-WxK4-12V |
|-------|------------------|------------------|------------------|
| A | 5.5 in. (140 mm) | 7.1 in. (180 mm) | 5.5 in. (140 mm) |
| B | 3.1 in. (80 mm) | 4.7 in. (120 mm) | 3.1 in. (80 mm) |
| C | 3.9 in. (100 mm) | 4.7 in. (120 mm) | 3.9 in. (100 mm) |

Specifications

| Model SMCC2- | WxK2-12V | WxK3-12V | WxK4-12V | Wx2-12V | Wx3-12V | Wx4-12V |
|-------------------------------|-----------------------------|------------|------------|---|------------|------------|
| Max Run ¹ | 30 modules | 20 modules | 20 modules | 30 modules | 20 modules | 20 modules |
| Current Draw ² | 100 mA | 150 mA | 200 mA | 83 mA | 125 mA | 125 mA |
| Lumens ² | 125 lm | 185 lm | 250 lm | N/A | | |
| CCT | 4000K or 6500K (as ordered) | | | Red, Green, or Blue (as ordered) ³ | | |
| Voltage | 12 VDC | | | | | |
| Beam Angle | 170° | | | | | |
| LED Lifetime | 35,000 hours | | | | | |
| Ambient Operating Temperature | -20-45°C (-4-113°F) | | | | | |

¹ Max run listed is using a single power supply connected at one end of the run with similar modules. If run consists of multiple module sizes, do not exceed 3 A max load.
² Specification is *per module*.
³ Not all sizes may be available in all colors.

