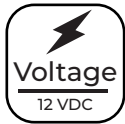




SMCC2-W40K3-12V



**Available Models<sup>1</sup>**

**2-LED Modules**

- SMCC2-W40K2-12V
- SMCC2-W65K2-12V
- SMCC2-WR2-12V
- SMCC2-WB2-12V

**3-LED Modules**

- SMCC2-W40K3-12V
- SMCC2-W65K3-12V
- SMCC2-WR3-12V
- SMCC2-WG3-12V
- SMCC2-WB3-12V

**4-LED Modules**

- SMCC2-W40K4-12V
- SMCC2-W65K4-12V
- SMCC2-WR4-12V

**Part Number Breakdown**

Example: SMCC2-W40K3-12V

Series	Housing Color	CCT or Color	LED Quantity <sup>2</sup>	Voltage
<b>SMCC2</b> [Sign module, constant current]	<b>W</b> [white]	<b>40K</b> [4000K] <b>65K</b> [6500K]	<b>B</b> [blue]	<b>12V</b> [12 VDC]
			<b>G</b> [green]	
			<b>R</b> [red]	
			<b>2</b> [2 LEDs]	
			<b>3</b> [3 LEDs]	
			<b>4</b> [4 LEDs]	

**Overview**

With their high-quality optic design, these single-color LED modules provide a wide beam of light ideal for sign backlighting, channel letters, and stage construction. Each module contains 2, 3, or 4 LEDs with prismatic lenses to ensure a smooth, broad illumination free of hotspots. Screw holes allow for more permanent mounting, while 3M™ adhesive backing simplifies set up and take down for trade show displays. A flexible solution for sign and display builders, electrical contractors, or manufacturers, these modules have sealed weatherproof housing for various lighting design applications. Dimmable with optional controllers (sold separately).

**Features**

- 170° beam angle for uniform light distribution
- Even illumination even in shallow channel letters
- Optics create smooth light with no hotspots
- 3M™ adhesive backing for easy install
- Up To 200 mA per module
- UL Recognized component

**Certifications and Compliances**

- UL Recognized- UL 879 (UYMR2)



**Warranty**

- 5-year warranty

**Product Details**

- 5.5 inches of wire between each module
- Constant voltage power supply required
- Max run of up to 30 modules
- Rated IP65 for wet locations
- Enclosed fixture rated
- 12 VDC



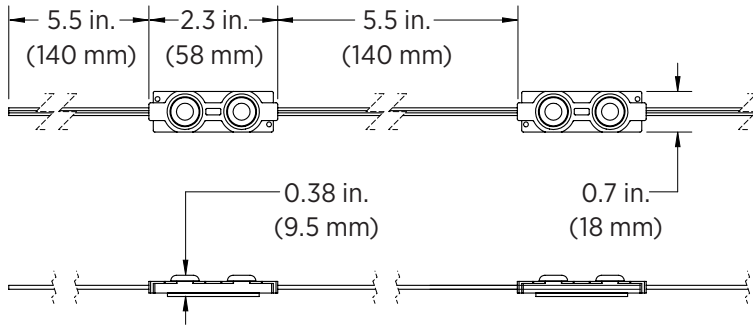
## SMCC2 Series

LED Sign Module Specifications

### Dimensional Drawings

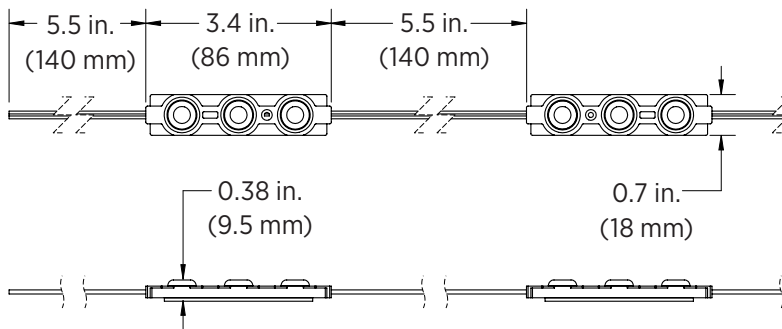
#### SMCC2-WxK2-12V / SMCC2-Wx2-12V

Total run length of a set of modules is 13.4 ft (4.09 m).



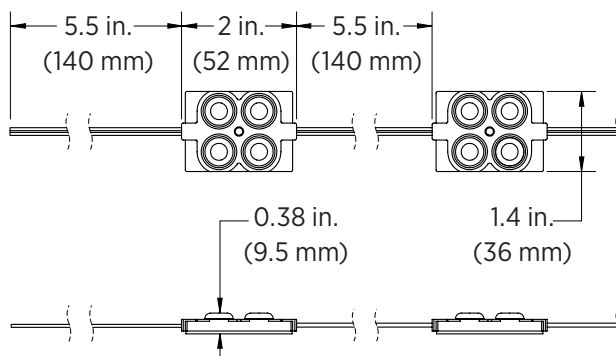
#### SMCC2-WxK3-12V / SMCC2-Wx3-12V

Total run length of a set of modules is 15.3 ft (4.65 m).



#### SMCC2-WxK4-12V / SMCC2-Wx4-12V

Total run length of a set of modules is 13 ft (3.96 m).



## SMCC2 Series

LED Sign Module Specifications

### Specifications

Model SMCC2-	WxK2-12V	WxK3-12V	WxK4-12V	Wx2-12V	Wx3-12V	Wx4-12V
Max Run <sup>1</sup>	30 modules	20 modules	20 modules	30 modules	20 modules	20 modules
Current Draw <sup>2</sup>	100 mA	150 mA	200 mA	83 mA	125 mA	125 mA
Lumens <sup>2</sup>	125 lumens	185 lumens	250 lumens	N/A		
CCT	4000K or 6500K (as ordered)			Red, Green, or Blue (as ordered) <sup>3</sup>		
Voltage	12 VDC					
Beam Angle	170°					
LED Lifetime	35000 hours					
Ambient Operating Temperature	-20-45 °C (-4-113 °F)					

<sup>1</sup>Max run listed is for identical modules using a single power supply.  
Do not exceed 3 A max load if using multiple module sizes.

<sup>2</sup>Specification is per module.

<sup>3</sup>Not all sizes may be available in all colors.

