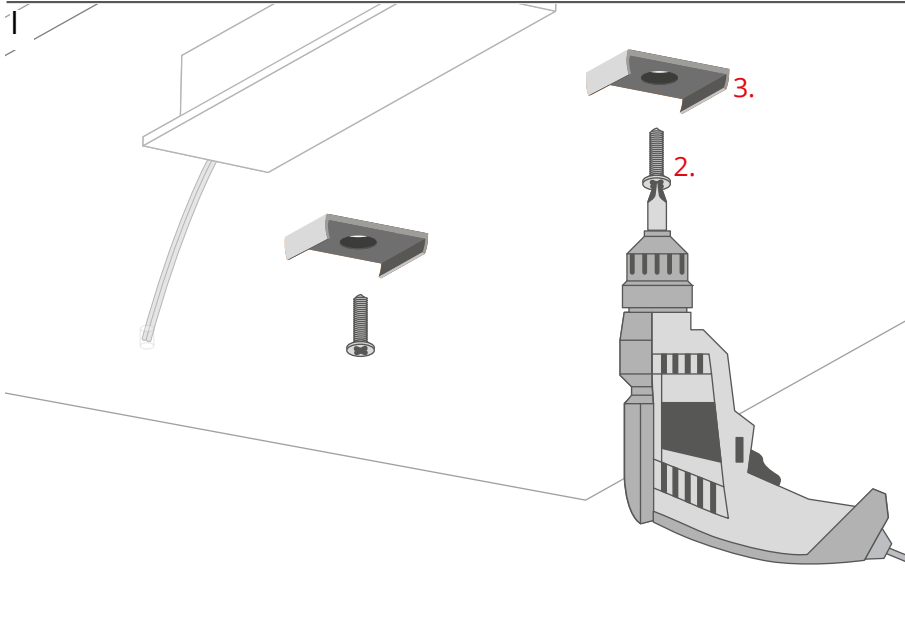


1. Lighting fixture
2. #8 flat head screw (length depending application) as preferred size
3. Mounting bracket*
4. Power supply (24 V)*

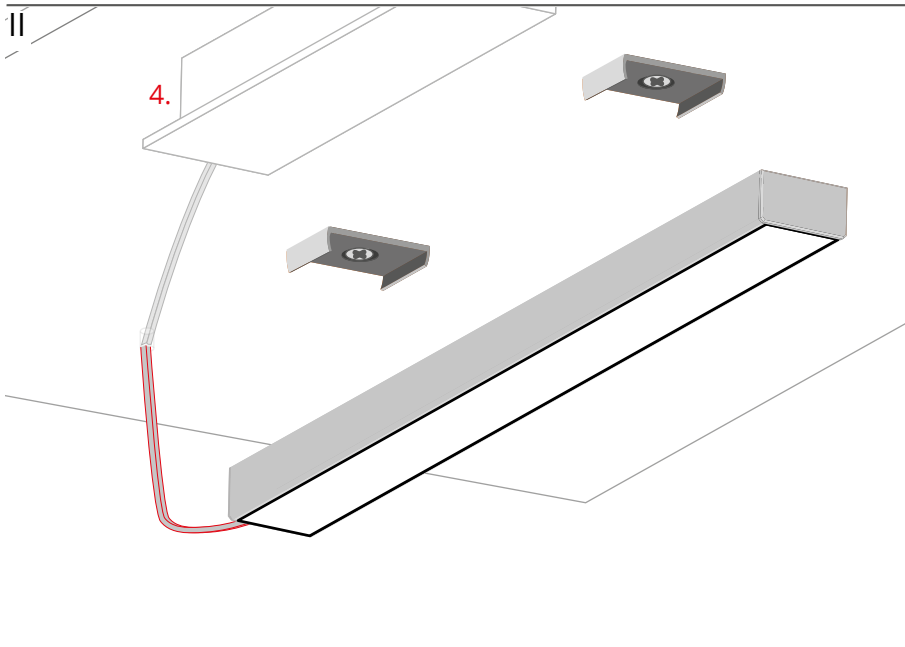
*The full range of accessories and electronics is available at www.KlusDesign.com

NOTE! All LED tapes must be connected to a 24 V power supply.

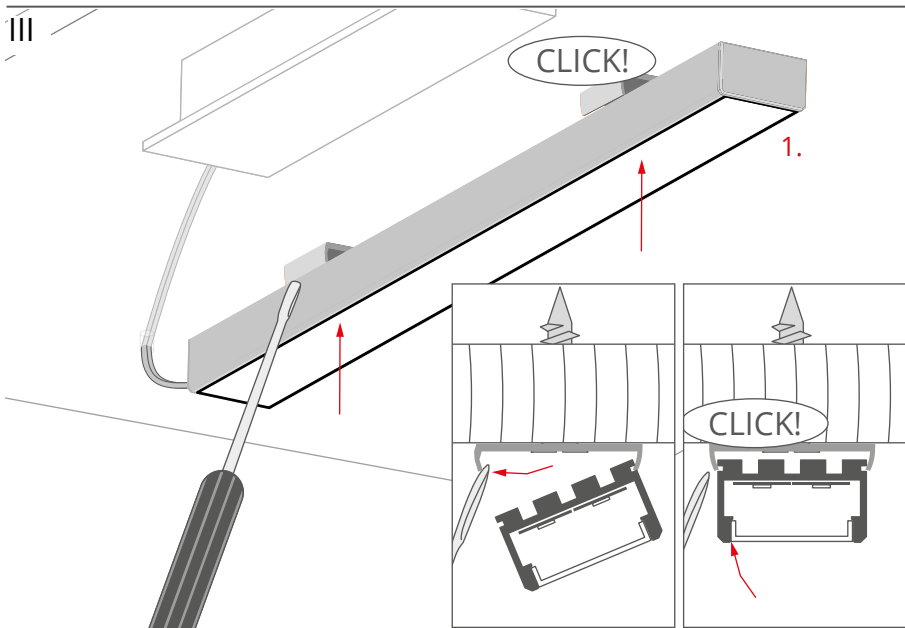
IMPORTANT: Not all possible mounting procedures are presented here. More mounting procedures and related accessories can be found at www.KlusDesign.com. Drawings of fixtures and accessories in these instructions are simplified and only approximate the actual shapes.



Attach the mounting bracket (3) to the surface with appropriate screws for the surface (2) (not provided).



Feed the power cable from the fixture to the power supply (4).



Snap the lighting fixture (1) into the brackets.

To facilitate the procedure, use a small screwdriver to bend the bracket's flange outwards, before inserting the fixture.