

## WPGL Series

LED Wall Pack Specifications

Project \_\_\_\_\_

Date \_\_\_\_\_ Type \_\_\_\_\_



### Description

WPGL series LED wall packs have a unique design that allows easy mounting without opening the fixture, simplifying installation. Integrated photocell automates dusk to dawn operation for greater convenience, and can be easily bypassed during installation if needed. The architectural design maintains a classic form factor to cover existing luminaire footprints, but is less bulky and lighter weight. Durable construction includes shatter-resistant borosilicate glass lens and powder coated aluminum housing.

### Mechanical

- Sleek design has less depth than traditional form factor
- Brown or white powder coated aluminum body
- Borosilicate glass refractor lens
- Optional steel glare shield
- Optional steel wire guard (brown models only)
- Mounting bracket design allows easy mounting without opening the fixture
- Operating temperature of -40°-113° F (-40°-45° C)
- IP65 environmental rating
- 5-year warranty

### Electrical

- 120-277 VAC input
- 0-10 V dimmable
- Built-in surge protection
- Integrated photocell for dusk to dawn operation
- 50,000 hour rated LED lifespan
- Power factor  $\geq 0.9$

### Available Models<sup>1</sup>

- |  |  |  |
|--|--|--|
| <u>Brown Housing</u>                   | <u>White Housing</u>                           | <u>Brown Housing (Photocell)</u>         |
| <input type="checkbox"/> WPGL-50K40-H  | <input type="checkbox"/> WPGL-50K40-H (White)  | <input type="checkbox"/> WPGL-50K40-HPC  |
| <input type="checkbox"/> WPGL-50K60-H  | <input type="checkbox"/> WPGL-50K60-H (White)  | <input type="checkbox"/> WPGL-50K60-HPC  |
| <input type="checkbox"/> WPGL-50K80-H  | <input type="checkbox"/> WPGL-50K80-H (White)  | <input type="checkbox"/> WPGL-50K80-HPC  |
| <input type="checkbox"/> WPGL-50K100-H | <input type="checkbox"/> WPGL-50K100-H (White) | <input type="checkbox"/> WPGL-50K100-HPC |
| <input type="checkbox"/> WPGL-50K120-H | <input type="checkbox"/> WPGL-50K120-H (White) | <input type="checkbox"/> WPGL-50K120-HPC |

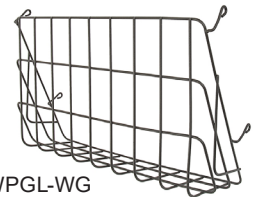
### Part Number Breakdown

Example: WPGL-50K100-HPC

Family	Color Temperature	Wattage	Efficacy	Options
WPGL	50K [5000K]	40 [40 W]	H [130+ lm/W]	blank [none] PC [photocell] or (White) [white finish]
		60 [60 W]		
		80 [80 W]		
		100 [100 W]		
		120 [120 W]		

### Optional Accessories

- WPGL-WG [brown wire guard]
- WPGL-GS [brown glare shield]
- WPGL-GS(white) [white glare shield]



WPGL-WG



WPGL-GS

### Photometrics

- 90° x 100° beam angle
- 5000K CCT
- 80+ CRI
- 130+ lm/W efficacy

### Certifications and Compliances

These lights are UL Listed in compliance with UL 1598 (IFAM) and are listed as DLC Premium 5.1.



### Application

Easily replaces inefficient metal-halide fixtures such as those found in warehouses, parking lots and garages, gas stations, and other commercial and industrial spaces. These are also a great solution for entryways and other areas where good lighting is essential for security.

### Warranty

Five (5) Year Warranty.



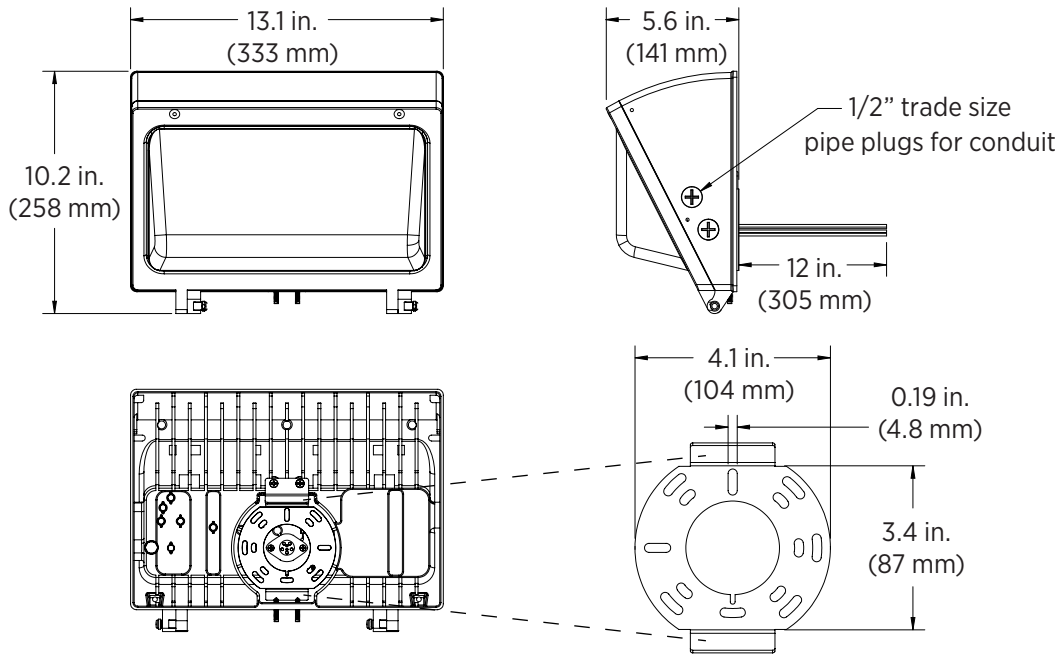
T 866.811.5550  
F 314.972.6202  
email: commercial-sales@superbrightleds.com  
www.superbrightleds.com/cat/industrial-led-lighting/

<sup>1</sup>Contact customer service if interested in options other than those listed.

## WPGL Series

### LED Wall Pack Specifications

#### Dimensional Drawing



#### Specifications

Model	WPGL				
	-50K40-x	-50K60-x	-50K80-x	-50K100-x	-50K120-x
Intensity	5,400 lm	7,800 lm	10,400 lm	13,000 lm	15,600 lm
Operating Voltage	120-277 VAC				
Power Consumption	40 W	60 W	80 W	100 W	120 W
Current Draw	333 mA @ 120 VAC 144 mA @ 277 VAC	500 mA @ 120 VAC 217 mA @ 277 VAC	667 mA @ 120 VAC 288 mA @ 277 VAC	833 mA @ 120 VAC 361 mA @ 277 VAC	1 A @ 120 VAC 433 mA @ 277 VAC
Efficacy	135 lm/W	130 lm/W	130 lm/W	130 lm/W	130 lm/W
Color Temperature	5000K				
Beam Angle	90° x 100°				
CRI	80+				
Dimming	yes (0-10 V)				
IP Rating	IP65				
Ambient Operating Temperature	-40°-113° F (-40°-45° C)				
Product Weight	7.3 lb (3.3 kg)	7.4 lb (3.3 kg)	7.3 lb (3.3 kg)	8 lb (3.6 kg)	7.9 lb (3.6 kg)
Surge Protection	4 kV				
Rated Life (L70)	50,000 hours				

#### Photocell Operation (HPC models only)

Light will turn on when the ambient light level falls below 15 lx and will turn off when the ambient light level exceeds 60 lx.

T 866.811.5550

F 314.972.6202

email: commercial-sales@superbrightleds.com

www.superbrightleds.com/cat/industrial-led-lighting/

