

DS Series

DMX512 to SPI Decoder and Controller

Project _____

Date _____ Type _____



DS-DMX23



Description

DMX23 series DMX512 decoder converts DMX signals to an SPI digital signal for controlling digital LED lights. Compatible with several IC chip types (see complete list below), this interface will run anywhere from 5–24 VDC and up to 900 pixels, making it possible to individually control digital pixel lights, DreamColor (addressable) LED strip lights, and other modules with compatible IC chip types. Choose from among 32 dynamic color-chasing patterns and adjust brightness and speed with the user-friendly digital display and arrow buttons or pair with optional DS-RT09 remote for wireless control.

Construction

- Black steel case with integrated mounting tabs
- Digital display

Functions

- DMX512 to SPI decoder
- Able to operate in DMX decode mode, standalone mode, and RF mode using optional DS-RT09 remote.
- Standard DMX512 compliant interface—DMX decode start address set with buttons and digital display
- Standalone mode offers selection of 32 dynamic modes, as well as brightness and chase speed adjustments

Electrical

- 5–24 VDC input voltage
- 3-pin XLR, RJ45, and screw terminal DMX signal input and output
- SPI output for CLK and DATA
- 1 W peak power consumption
- Three pairs of CLK and DATA outputs connections to control up to three strips or strip runs

Available Models

- DS-DMX23

Optional Accessories

- DS-RT09 (RF remote control)



Warranty

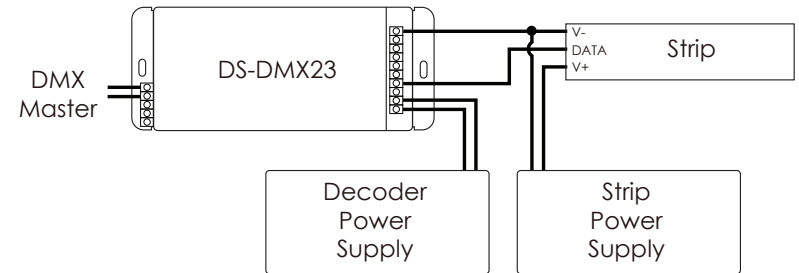
Five (5) Year Warranty

Certifications and Compliances

This DMX/RDM decoder is CE compliant.



Wiring Diagram



Specifications

Model	DS-DMX23
Input Voltage	5–24 VDC (must match strip side voltage)
Power Consumption	1 W
Output Channels	3 (DATA + CLK, not controlled independently)
Connection Type	screw terminal (all connections) XLR and RJ45 (DMX in/out)
IP Rating	IP20
Ambient Operating Temperature	-22°–131° F (-30°–55° C)

Compatible IC Types

TM1803, TM1804, TM1809, TM1812, UCS1903, UCS1909, UCS1912, UCS2903, UCS2909, UCS2912, WS2811, WS2812, TM1829, TLS3001, TLS3002, GW6205, MBI6120, TM1814B, SK6812, UCS8904B, LPD6803, LPD1101, D705, UCS6909, UCS6912, LPD8803, LPD8806, WS2801, WS2803, P9813, SK9822, and TM1914A



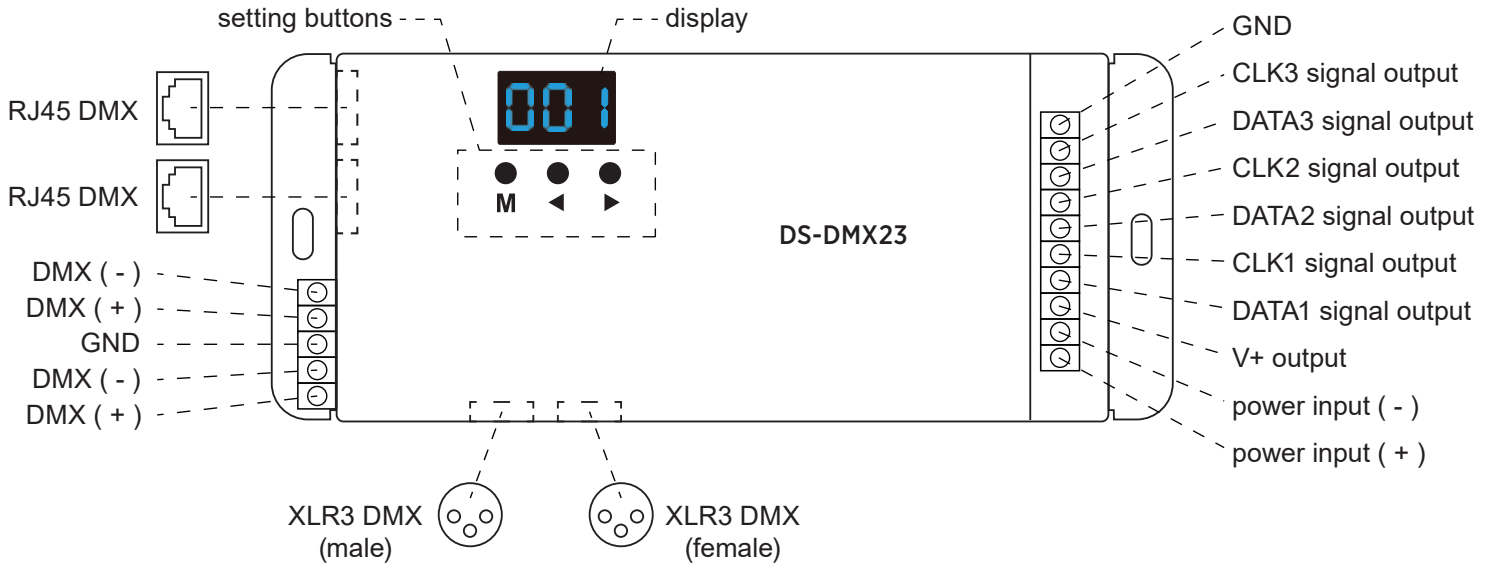
T 866.811.5550
F 314.972.6202
email: commercial-sales@superbrightleds.com
www.superbrightleds.com/cat/controllers-dimmers/

Rev V1 Date: 02/23/2021
Specifications are subject to change without notice.
Printed in the U.S.A.

DS Series

DMX512 to SPI Decoder and Controller

Controller Layout



Dimensions

