

LED Explosion Proof Light

EPL Series Specifications

Project _____

Date _____ Type _____



Features

- 100-277 VAC
- 80+ CRI
- L70 rated 50,000 hour lifetime
- Engineered for Class 1 Division 2 hazardous locations and high particulate areas

Construction

Vibration-resistant aluminum housing and tempered glass lens.

Application

Easily replaces canopy lights as well as other common low bay lights. These lights are great solutions for granaries, farm buildings, refineries, wastewater and sewage treatment plants, mills, mines, repair shops, and paint booths.

Output Equivalencies

EPL-xW100	250 W metal-halide
EPL-xW200	400 W metal-halide

Warranty

Five (5) Year Warranty

Certifications and Compliances

These lights are UL Listed in compliance with UL 1598 (IFAM) as well as UL 844 (IFUX) for Class I, Division 2, Groups A, B, C, and D. T-class rating is T4 for 100 W models and T5 for 185 W models.



T 866.811.5550
 F 314.972.6202
 email: commercial-sales@superbrightleds.com
 www.superbrightleds.com/cat/industrial-led-lighting/

Available Models

- EPL-NW100
- EPL-CW100
- EPL-NW200
- EPL-CW200

Part Number Breakdown

Example: EPL-NW200

Family	Color Temperature	Wattage
EPL	NW [4000K]	100 [100 W]
	or CW [5000K]	200 [185 W]

Specifications

Model EPL-	NW100	CW100	NW200	CW200
Intensity	11,500 lm	11,500 lm	18,125 lm	20,700 lm
Operating Voltage	100-277 VAC			
Power Consumption	100 W		185 W	
Current Draw	0.83 A @120 VAC		1.54 A @120 VAC	
Efficacy	115 lm/W		98 lm/W	112 lm/W
Color Temperature	4000K	5000K	4000K	5000K
Beam Angle	120°			
CRI	80+			
Dimming	1-10 V			
Environmental Rating	damp or dry location only			
Ambient Operating Temperature	-22°-122° F (-30°-50° C)			
Product Weight	16.9 lb (7.7 kg)		23.6 lb (10.7 kg)	
Rated Life (L70)	50,000 hours			

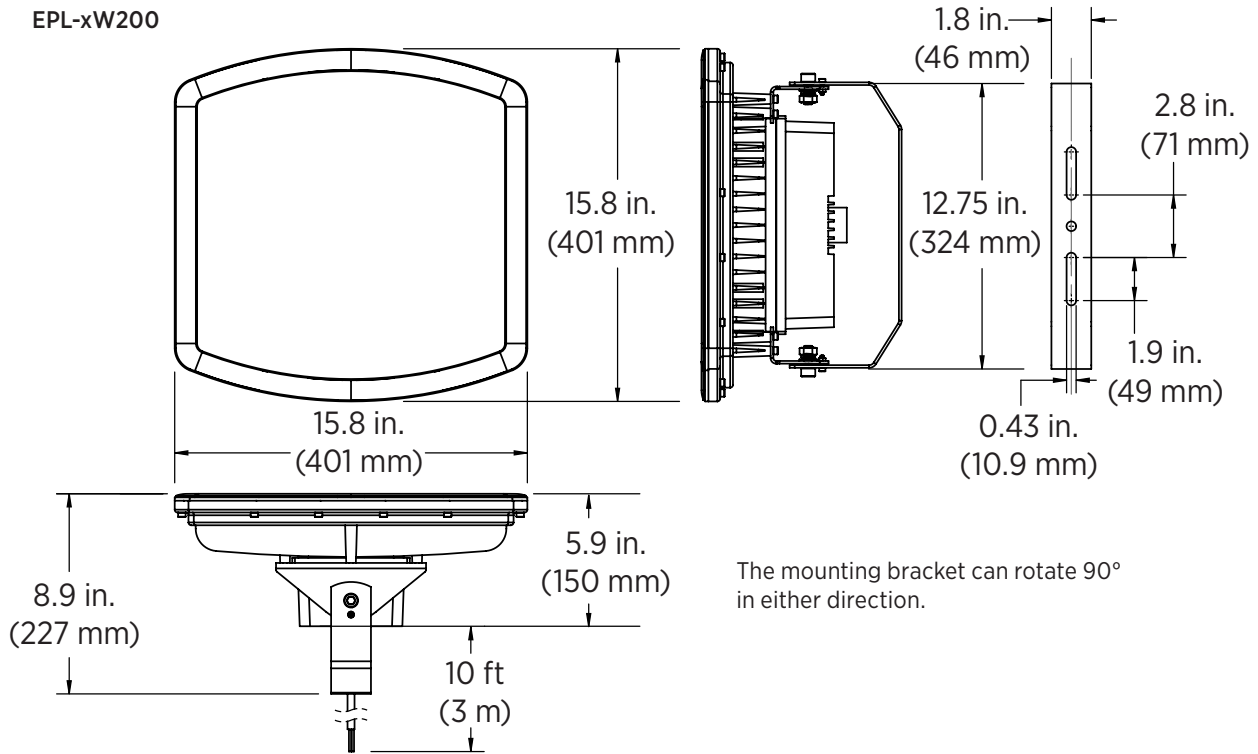
Notes

LED Explosion Proof Light

EPL Series Specifications

Dimensional Drawing

EPL-xW200



EPL-xW100

