



Available Models¹

- WPLP-SW3B120-H-Y

Part Number Breakdown

Example: WPLP-SW3B120-H-Y

Series	Settings	Color Temperature	Wattage	Efficacy	Photocell
WPLP	SW [selectable CCT and wattage]	3B [3000K / 4000K / 5000K]	120 [120 / 100 / 80 W]	H [high efficacy]	Y [integrated photocell]

Description

WPLP series LED wall packs are designed to be a durable and maintenance-free fixture. Constructed using bronze powder-coated aluminum and a non-yellowing glass lens, the wall pack is rated IP65 for outdoor installations. Wide beam distribution is ideal for parking lots, building exteriors, and warehouses.

Mechanical

- Sleek design - less depth than traditional form factor
- Bronze powder-coated aluminum body
- Prismatic borosilicate glass lens
- IP65 rated

Electrical

- 120-277 VAC input
- 0-10 V dimmable
- Built-in surge protection
- 50,000 hour L70 rated lifespan

Photometrics

- 120° x 60° beam angle / Type III-S distribution
- Selectable CCT (5000K / 4000K / 3000K)
- 135 lm/W efficacy

Certifications and Compliances

These lights are Certified by UL in compliance with UL 1598 (IFAM) and are listed by DesignLights Consortium as DLC 5.1 Premium.



Application

Easily replaces inefficient metal-halide fixtures such as those found at warehouses, parking lots and garages, gas stations, and other commercial and industrial spaces. These are also a great solution for entryways and other areas where good lighting is essential for security.

Warranty

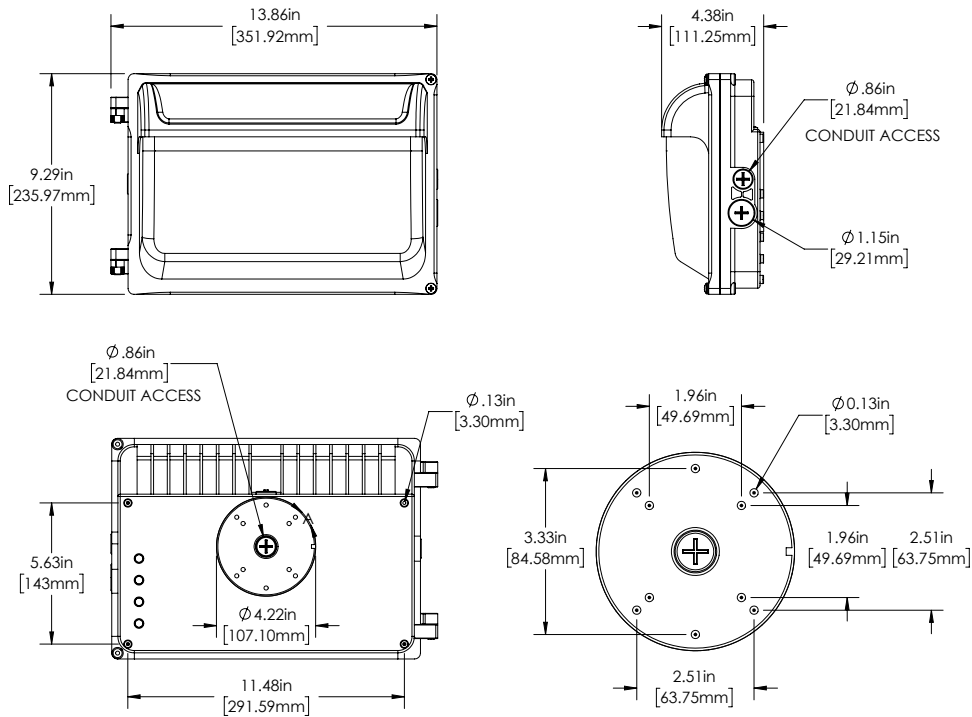
Five (5) year warranty

Product Page QR Code



¹Contact customer service if interested in options other than those listed.

Dimensional Drawing



Specifications

Model		WPLP-SW3B120-H-Y
Lumens		15,600 / 13,000 / 10,400 lm
Power Consumption		selectable (120 / 100 / 80 W)
Operating Voltage		120-277 VAC
Current Draw	120 VAC	292 mA
	277 VAC	126 mA
Efficacy		135 lm/W
Color Temperature		selectable (3000K / 4000K / 5000K)
Beam Angle		120° (H) x 60° (V)
BUG Rating		B1-U5-G5
CRI		80+
Dimming		0-10 V
Power Factor		\geq 0.95
IP Rating		IP65
Ambient Operating Temperature		-40°-113° F (-40°-45° C)
Surge Protection		4 kV
Rated Life (L70)		50,000 hours

Wiring Diagram

