

**Important: Read all instructions prior to installation.**

## LED Corn Light Bulb



CL3-50K80W-EX39

### Safety and Notes

- This product should be installed and serviced in accordance with applicable national, state, and local building and electrical codes.
- Remove power from circuit prior to installation. To reduce the risk of electric shock, ensure that the main power source and circuit breakers are switched off before performing any installation or wiring procedures.
- Ballast bypass required. Bypass ballast, capacitor, and ignitor prior to corn light bulb installation.
- Do not touch corn light bulb when in use or stare directly at corn light bulb when in use.
- Be sure fixture socket can support weight of LED corn light bulb
- 100 W and 120 W versions include a safety cable that should be attached during installation.

### Specifications

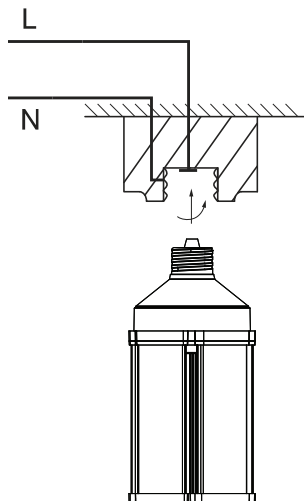
Model	CL3 Series
IP Rating	IP54
Operating Temperature	-40°–113° F (-40°–45° C)

Check product label for specific electrical specifications related to installation. Improper installation will void warranty.

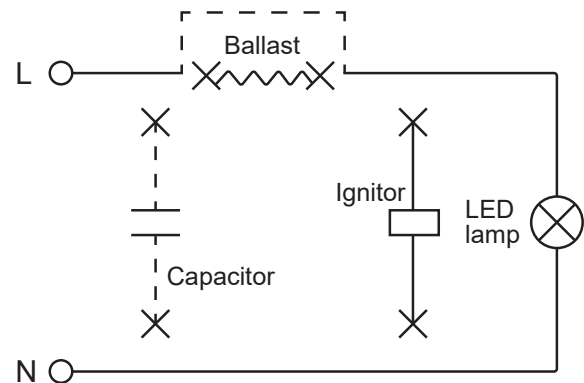
### Installation

1. Remove power from supply circuit.
2. Remove existing bulb.
3. Bypass existing ballast (as well as any ignitor or capacitor) if present, making sure to properly cap and loose wires.
 

Note: Place retrofit label on fixture when ballast is bypassed during installation.
4. Install bulb.
5. Restore supply power.



### Bypassed Ballast Installation



Rev Date: V1 01/05/2021

4400 Earth City Expy, St. Louis, MO 63045 • 866-590-3533 • [superbrightleds.com](http://superbrightleds.com)