

LED Linear High Bay

LHBDP Series Specifications

Project _____

Date _____ Type _____



LHBDP-xK22-165

Features

- 100–277 VAC input
- DLC Premium - ≥130 lumens per Watt
- 1-10 V dimmer compatible
- ≥80 CRI
- L70 rated 50,000 hour lifetime
- Includes chains and v-hooks for suspension mounting

Optional Accessories

- conduit mounting bracket (LHBDP-PM)
- Merrytek microwave motion sensor (MC054V RC D)
- wire guard (LHBDP-xWG — where 'x' is 21,22, 41, or 42, matching 'size' identifier in light part number)

Construction

Durable steel body with white finish and frosted polycarbonate lens. Features additional ½" knockouts¹ on each end and top for additional wiring options.

Application

Easily replaces traditional T5 and T8 high bay fixtures as well as metal-halide high bays. Type V distribution and the ability to wire end to end or through optional conduit mounting bracket make these ideal for many applications including factories, warehouses, and other large, high ceiling spaces.

Output Equivalencies

LHBDP-xK21-80	3-lamp 32 W T8/ 250 W MH
LHBDP-xK21-110	3-lamp 54 W T5HO/ 320 W MH
LHBDP-xK22-165	4-lamp 54 W T5HO/ 400 W MH
LHBDP-xK22-220	6-lamp 54 W T5HO/ 400 W MH
LHBDP-xK41-165	4-lamp 54 W T5HO/ 400 W MH
LHBDP-xK41-225	6-lamp 54 W T5HO/ 400 W MH
LHBDP-xK42-320	8-lamp 54 W T5HO/ 1,000 W MH

Available Models²

- | | |
|--|--|
| <input type="checkbox"/> LHBDP-40K21-80 | <input type="checkbox"/> LHBDP-50K21-80 |
| <input type="checkbox"/> LHBDP-40K21-110 | <input type="checkbox"/> LHBDP-50K21-110 |
| <input type="checkbox"/> LHBDP-40K22-165 | <input type="checkbox"/> LHBDP-50K22-165 |
| <input type="checkbox"/> LHBDP-40K22-220 | <input type="checkbox"/> LHBDP-50K22-220 |
| <input type="checkbox"/> LHBDP-40K41-165 | <input type="checkbox"/> LHBDP-50K41-165 |
| <input type="checkbox"/> LHBDP-40K41-225 | <input type="checkbox"/> LHBDP-50K41-225 |
| <input type="checkbox"/> LHBDP-40K42-320 | <input type="checkbox"/> LHBDP-50K42-320 |

Part Number Breakdown

Example: LHBDP-50K22-165

Family	Color Temperature	Size	Wattage
LHBDP	40K [4000K] or 50K [5000K]	21 [narrow, 2' long]	80 [80 W] 110 [110 W]
		22 [wide, 2' long]	165 [165 W] 220 [220 W]
		41 [narrow, 4' long]	165 [165 W] 225 [225 W]
		42 [wide, 4' long]	320 [320 W]

Warranty

Five (5) Year Warranty

Certifications and Compliances

UL Listed for damp or dry locations, and RoHS compliant.



Notes

¹½" knockouts are trade size, meaning the hole diameter measures ⅝"

²Contact customer service if interested in options other than those listed.



T 314.743.3067

F 314.972.6202

email: commercial-sales@superbrightleds.com

www.superbrightleds.com/cat/industrial-led-lighting/

Rev V1 Date: 12/21/2018

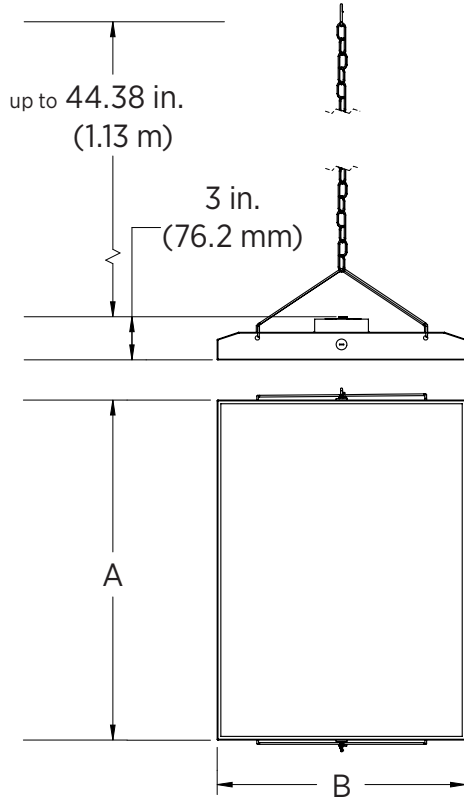
Specifications are subject to change without notice.

Printed in the U.S.A.

LED Linear High Bay

LHBDP Series Specifications

Dimensional Drawing



Model	Length (A)	Width (B)
LHBDP-x21-80	23.75 in	12.63 in.
LHBDP-x21-110	(60.33 cm)	(32.07 cm)
LHBDP-x22-165	23.75 in	17.38 in.
LHBDP-x22-220	(60.33 cm)	(44.13 cm)
LHBDP-x41-165	45.75 in.	12.63 in.
LHBDP-x41-225	(1.16 m)	(32.07 cm)
LHBDP-x42-320	45.75 in.	17.38 in.
	(1.16 m)	(44.13 cm)

Specifications

Model LHBDP-	xK21-80	xK21-110	xK22-165	xK22-220	xK41-165	xK41-225	xK42-320
Intensity ³	10,400 lm	16,000 lm	21,450 lm	29,000 lm	21,500 lm	29,300 lm	41,600 lm
Operating Voltage	100-277 VAC						
Power Consumption	80 W	110 W	165 W	220 W	165 W	225 W	320 W
Current Draw @ 120 VAC	667 mA	917 mA	1.38 A	1.83 A	1.38 A	1.88 A	2.67 A
Efficacy	≥130 lm/W						
Color Temperature	4000K or 5000K						
Beam Angle	110°						
CRI	≥80						
Power Factor	≥90						
Dimming	1-10 V						
Environmental Rating	damp or dry location only						
Ambient Operating Temperature	-4°-104° F (-20°-40° C)						
Product Weight	9 lb 11 oz (4.4 kg)		12 lb 8 oz (5.7 kg)		17 lb (7.7 kg)		21 lb 10 oz (9.8 kg)
Rated Life (L70)	50,000 hours						

³Measured intensity will vary depending on color temperature.

T 314.743.3067

F 314.972.6202

email: commercial-sales@superbrightleds.com

www.superbrightleds.com/cat/industrial-led-lighting/

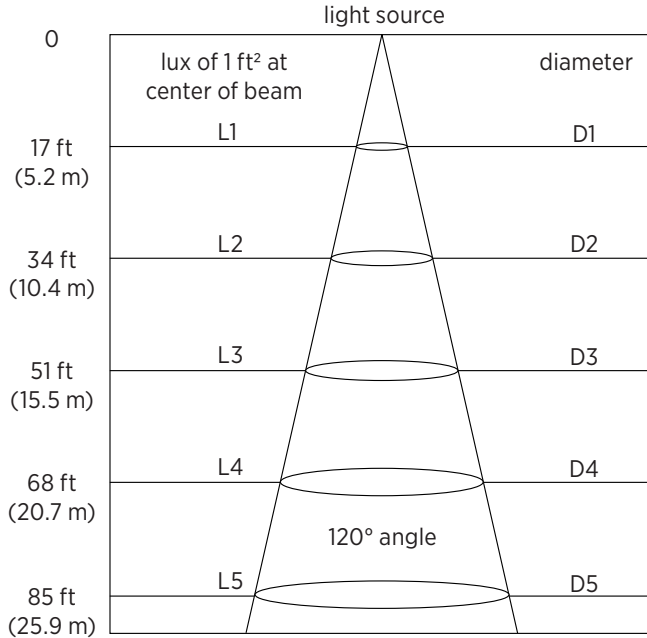


LED Linear High Bay

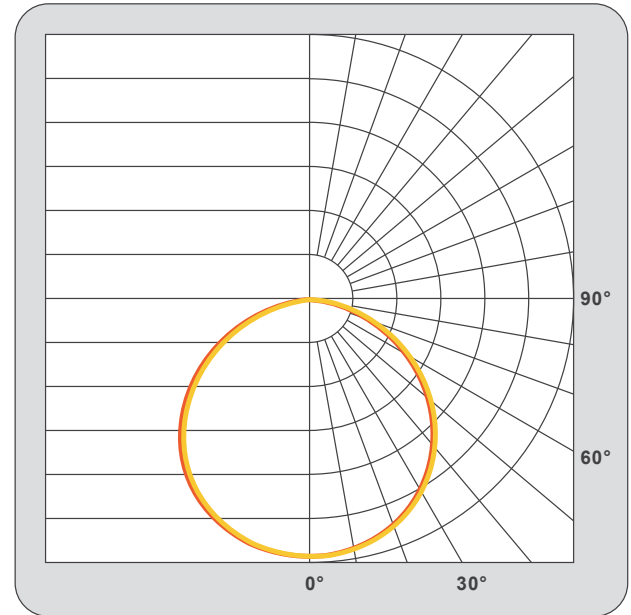
LHBDP Series Specifications

Optics (continued)

Illuminance Cone Diagram



Polar Candela Distribution Diagram



Model LHBDP-	xK21-80	xK21-110	xK22-165	xK22-220	xK41-165	xK41-225	xK42-320
Light Intensity ³	10,400 lm	16,000 lm	21,450 lm	29,000 lm	21,500 lm	29,300 lm	41,600 lm
L1	131 lx	208 lx	265 lx	394 lx	241 lx	404 lx	610 lx
L2	33 lx	52 lx	66 lx	98 lx	60 lx	101 lx	153 lx
L3	15 lx	23 lx	29 lx	44 lx	26 lx	45 lx	68 lx
L4	8 lx	13 lx	17 lx	25 lx	15 lx	25 lx	38 lx
L5	5 lx	8 lx	11 lx	16 lx	10 lx	16 lx	25 lx
D1	Ø46.8 ft (14.3 m)	Ø53.1 ft (16.2 m)	Ø46.9 ft (14.3 m)	Ø53.5 ft (16.3 m)	Ø48.3 ft (14.7 m)	Ø55.2 ft (16.8 m)	Ø55.3 ft (16.9 m)
D2	Ø93.6 ft (28.5 m)	Ø106.1 ft (32.3 m)	Ø93.8 ft (28.6 m)	Ø107 ft (32.6 m)	Ø96.8 ft (29.5 m)	Ø110.4 ft (33.6 m)	Ø110.6 ft (33.7 m)
D3	Ø140.4 ft (42.8 m)	Ø159.2 ft (48.5 m)	Ø140.7 ft (42.9 m)	Ø160.5 ft (48.9 m)	Ø158.5 ft (48.3 m)	Ø165.6 ft (50.5 m)	Ø165.9 ft (50.6 m)
D4	Ø187.2 ft (57.1 m)	Ø212.2 ft (64.7 m)	Ø187.6 ft (57.2 m)	Ø213.9 ft (65.2 m)	Ø193.7 ft (59 m)	Ø220.8 ft (67.3 m)	Ø221.2 ft (67.4 m)
D5	Ø232.1 ft (70.7 m)	Ø265.3 ft (80.9 m)	Ø234.5 ft (71.5 m)	Ø267.4 ft (81.5 m)	Ø242 ft (73.8 m)	Ø276 ft (84.1 m)	Ø276.5 ft (84.3 m)

³Measured intensity will vary depending on color temperature.

