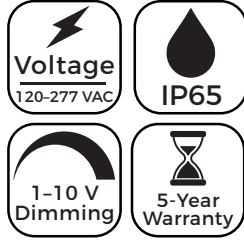




AFLD-50K30-110-U



**Available Models<sup>1</sup>**

U-Bracket / Yoke Mount

- AFLD-50K15-110-U
- AFLD-50K30-110-U
- AFLD-50K50-110-U
- AFLD-50K70-110-U
- AFLD-50K90-110-U

Knuckle Mount

- AFLD-50K15-110-K
- AFLD-50K30-110-K
- AFLD-50K50-110-K
- AFLD-50K70-110-K
- AFLD-50K90-110-K

Slip-Fitter Mount

- AFLD-50K70-110-S
- AFLD-50K90-110-S

**Description**

AFLD LED flood lights are a compact and versatile lighting solution for residential and commercial applications. Aluminum housing is powder coated for durability, able to withstand outdoor environmental conditions. A knuckle mount, slip-fitter mount, or yoke/U-bracket mount are included as ordered for simple installation, to easily increase building exterior's visibility and security.

**Mechanical**

- Bronze powder-coated aluminum body
- Non-yellowing polycarbonate lens
- Available with yoke or knuckle mount (as well as slip-fitter mount on 70 W and 90 W only)
- Operating temperature of -40°-113° F (-40°-45° C)
- IP65 environmental rating

**Electrical**

- 120-277 VAC input
- 1-10 V dimmable
- 50,000 hour L70 rated lifespan
- Power factor of ≥0.9

**Photometrics**

- 80° x 110° beam angle
- 120+ lm/W efficacy

**Warranty**

Five (5) year warranty

**Part Number Breakdown**

Example: AFLD-50K70-110-S

Family	Color Temperature	Wattage	Beam Angle	Mount
AFLD	50K [5000K]	15 [15 W]	110 [80° x 110°]	U [U-bracket / yoke]
		30 [30 W]		
		50 [50 W]		S [slip-fitter]
		70 [70 W]		K [knuckle]
		90 [90 W]		

**Certifications and Compliances**

These lights are Certified by UL in compliance with UL 1598 (IFAM) and are listed by DesignLights Consortium as DLC 5.1 Premium.

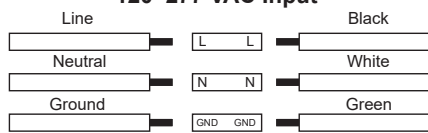


**Application**

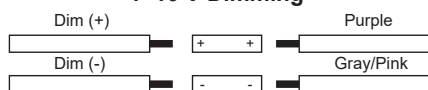
Easily replaces inefficient metal-halide fixtures such as those used for lighting building facades and signs as well as those found in general landscape, security, and area lighting applications.

**Wiring Diagram**

**120-277 VAC Input**



**1-10 V Dimming**



<sup>1</sup>Contact customer service if interested in options other than those listed.

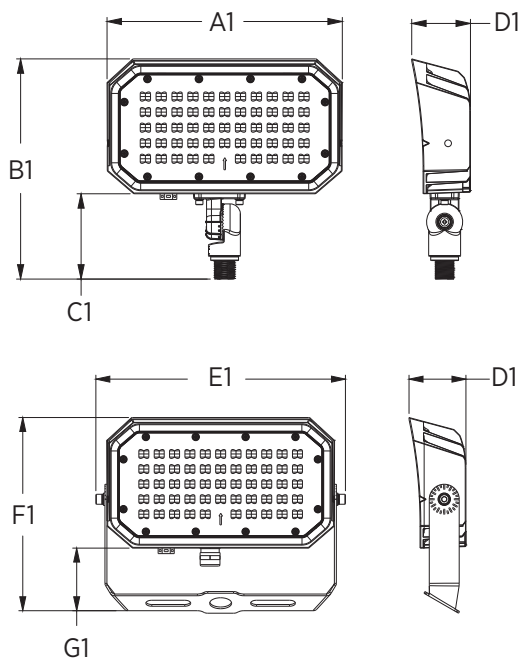
# AFLD Series

LED Flood Light Specifications

## Specifications

Model	AFLD				
	-50K15-110-x	-50K30-110-x	-50K50-110-x	-50K70-110-x	-50K90-110-x
Intensity	1,800 lm	3,600 lm	6,000 lm	9,100 lm	11,700 lm
Operating Voltage	120-277 VAC				
Power Consumption	15 W	30 W	50 W	70 W	90 W
Current Draw (at max. wattage)	125 mA @ 120 VAC 54 mA @ 277 VAC	250 mA @ 120 VAC 108 mA @ 277 VAC	417 mA @ 120 VAC 181 mA @ 277 VAC	583 mA @ 120 VAC 253 mA @ 277 VAC	750 mA @ 120 VAC 325 mA @ 277 VAC
Efficacy	120 lm/W	120 lm/W	120 lm/W	130 lm/W	130 lm/W
Color Temperature	5000K				
Beam Angle	80° (V) x 110° (H)				
CRI	70+				
Dimming	1-10 V				
IP Rating	IP65				
Ambient Operating Temperature	-40°-113° F (-40°-45° C)				
Rated Life (L70)	50,000 hours				

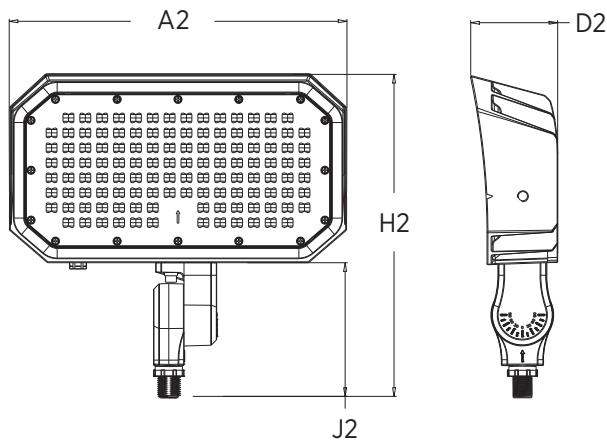
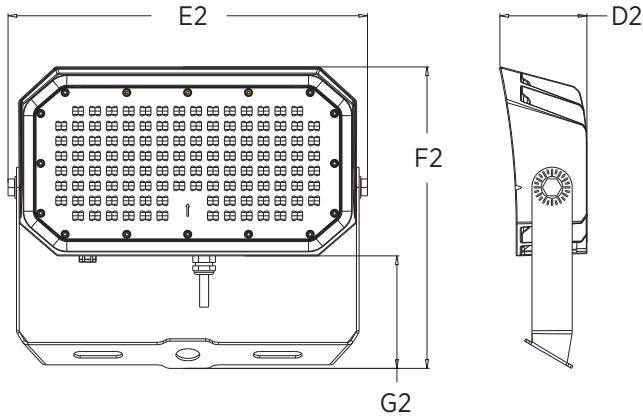
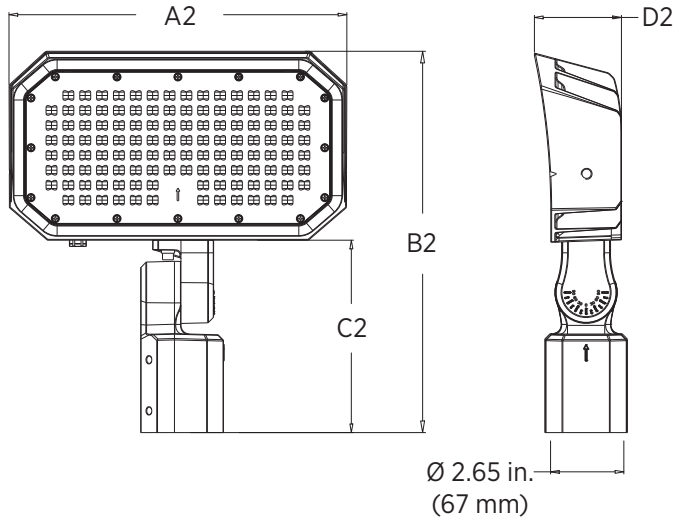
## Dimensional Drawing (15 W, 30 W, and 50 W)



Model Wattage	15 W	30 W	50 W
A1	5.1 in. (130 mm)	7 in. (178 mm)	9 in. (229 mm)
B1	6.1 in. (155 mm)	7.2 in. (183 mm)	8.4 in. (213 mm)
C1	3.3 in. (84 mm)	3.3 in. (84 mm)	2.2 in. (56 mm)
D1	1.8 in. (46 mm)	2 in. (51 mm)	2.3 in. (58 mm)
E1	5.7 in. (145 mm)	7.8 in. (198 mm)	9.8 in. (249 mm)
F1	4.3 in. (109 mm)	6.5 in. (165 mm)	7.7 in. (196 mm)
G1	1.5 in. (38 mm)	2.5 in. (64 mm)	2.6 in. (66 mm)



**Dimensional Drawing (70 W and 90 W)**



Model Wattage	70 W and 90 W
A2	12.2 in. (310 mm)
B2	13.7 in. (348 mm)
C2	6.9 in. (175 mm)
D2	3.2 in. (81 mm)
E2	13.4 in. (340 mm)
F2	10.9 in. (277 mm)
G2	4.1 in. (104 mm)
H2	11.7 in. (297 mm)
J2	4.8 in. (122 mm)

