



# CPS Series

Desktop LED Power Supply Specifications

Project \_\_\_\_\_

Date \_\_\_\_\_ Type \_\_\_\_\_



CPS-12V-60W

### Features

- 120 VAC input
- 5 VDC, 12 VDC, and 24 VDC output versions
- 1-15P wall plug
- 5.5 mm / 2.1 mm barrel connector output

### Application

These power supplies are an excellent solution for powering low voltage LED lights such as strips and light bars.

### Warranty

- Two (2) Year Warranty

### Certifications and Compliances

- UL Listed - UL 1310



### Available Models<sup>1</sup>

#### 5 VDC Output

CPS-5V-50W

#### 12 VDC Output

CPS-12V-60W

CPS-12V-120W

#### 24 VDC Output

CPS-24V-60W

CPS-24V-120W

### Part Number Breakdown

Example: CPS-12V-60W

Family	Output Voltage	Output Wattage
CPS	5V [5 VDC]	50W [50 W]
	12V [12 VDC]	60W [60 W]
	or 24V [24 VDC]	120W [120 W]

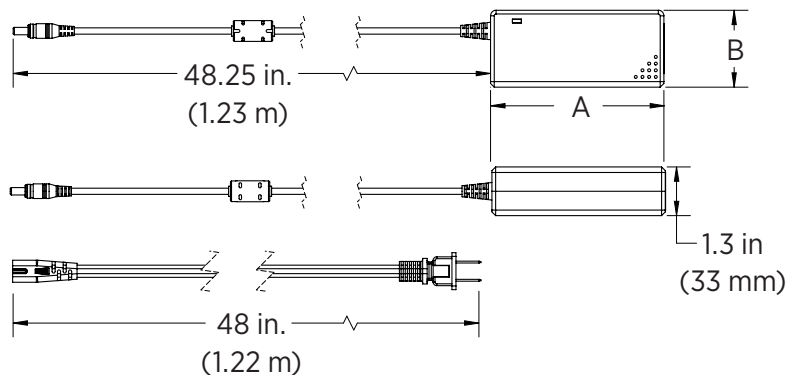
### Optional Accessories

- Female 5.5 mm DC barrel connector (CPS-F2ST)

### Specifications

Model	CPS-x-50W	CPS-x-60W	CPS-x-120W
Maximum Input Wattage	180 W	180 W	200 W
Maximum Input Current	1.8 A	1.8 A	2.0 A
Output Voltage	5 VDC	12 VDC	24 VDC
Output Wattage	50 W	60 W	120 W
Maximum Output Current	10 A	5 A	2.5 A
Input Voltage	120 VAC		
Input Connection	1-15P (standard two-prong wall plug)		
Output Connection	DC barrel jack (5.5 mm / 2.1 mm)		
Dimming	None		
Ambient Operating Temperature	32°-104° F (0°-40° C)		

### Dimensional Drawing



Model	CPS-x-50W CPS-x-60W	CPS-x-120W
A	4.7 in. (119 mm)	6.8 in. (172 mm)
B	2.1 in. (53 mm)	2.9 in. (73 mm)

<sup>1</sup>Contact customer service if interested in options other than those listed.