



CPS-12V-60W

Available Models¹

5 VDC Output

CPS-5V-50W

12 VDC Output

CPS-12V-60W

CPS-12V-120W

24 VDC Output

CPS-24V-60W

CPS-24V-120W

Part Number Breakdown

Example: CPS-12V-60W

Series	Output Voltage	Output Wattage
CPS [Constant voltage Power Supply]	5V [5 VDC]	50W [50 W]
	12V [12 VDC] or 24V [24 VDC]	60W [60 W]
		120W [120 W]

Overview

CPS series Power adapter by DiodeDrive provides power for DC systems, in either 50, 60, or 120 watts. The reliable Class II device has a fully enclosed plastic case and protection against short circuit and overload. 2-pin 1-15P plug for 120 VAC input. 5.5 mm barrel connector for easy powering.

Features

- 2-Pin 1-15P plug for 120 VAC input
- 5.5 mm barrel connector for DC output
- Class II power supply

Product Details

- Wire length: 4' each side
- Overload and short circuit protection
- Rated IP20 for dry conditions

Certifications and Compliances

- UL Listed - UL 1310
- FCC compliant



Warranty

- 2-year warranty

Optional Accessories

- Female 5.5 mm DC barrel connector (CPS-F2ST)

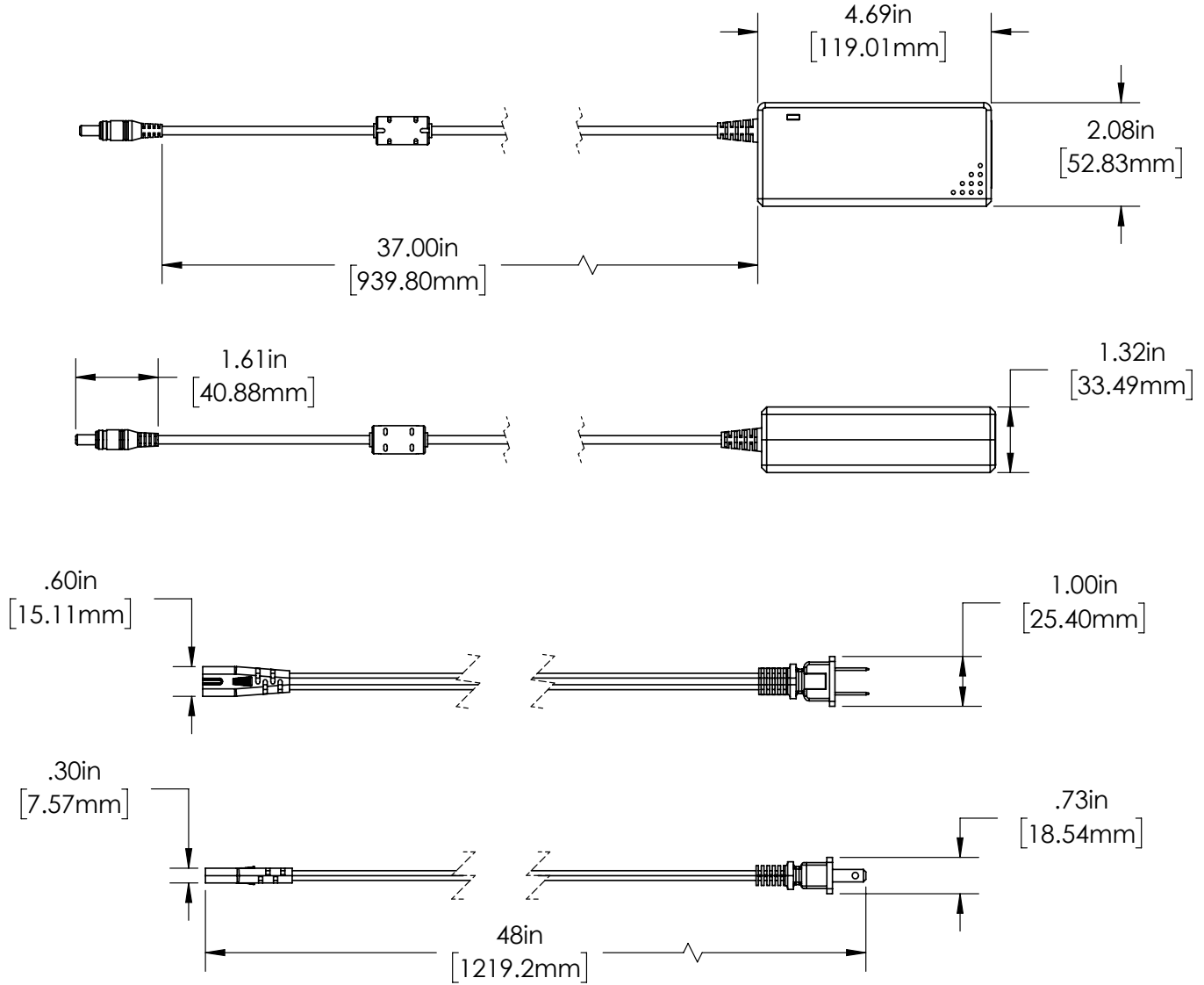


CPS Series

Desktop LED Power Supply Specifications

Dimensional Drawings

CPS-5V-50W

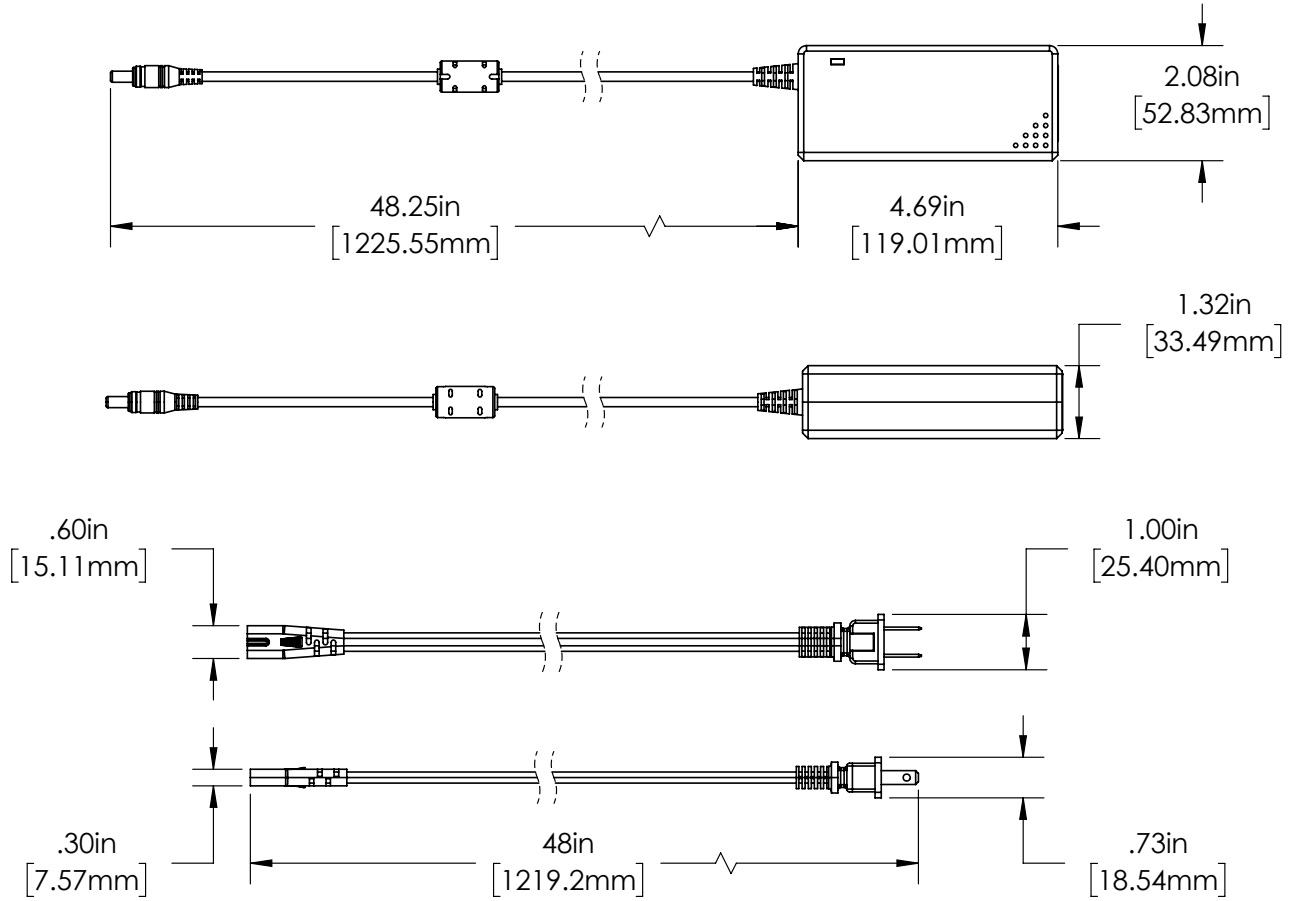


CPS Series

Desktop LED Power Supply Specifications

Dimensional Drawings (cont.)

CPS-xV-60W

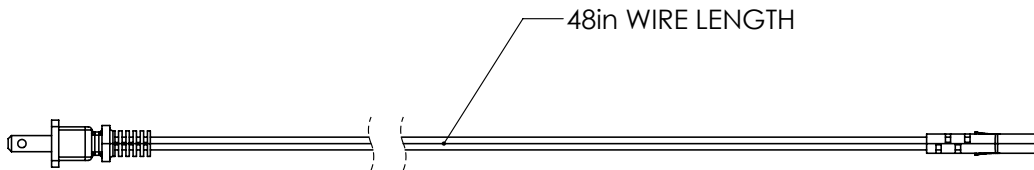
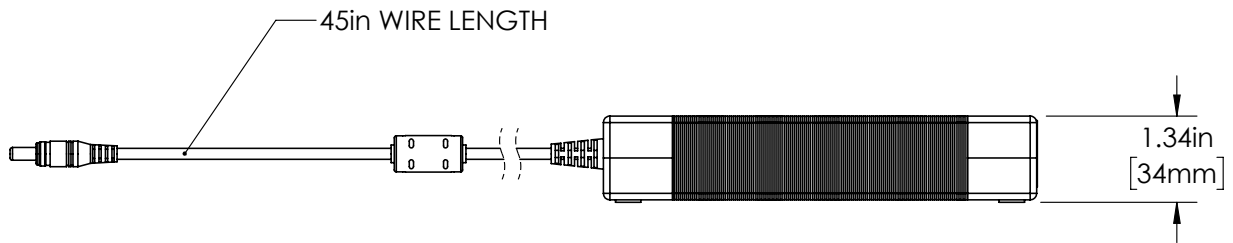
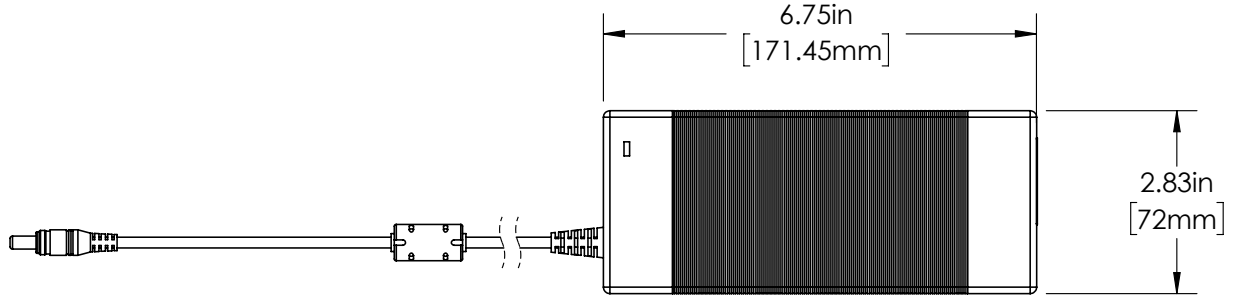


CPS Series

Desktop LED Power Supply Specifications

Dimensional Drawings (cont.)

CPS-xV-120W





CPS Series

Desktop LED Power Supply Specifications

Specifications

Model	CPS-x-50W	CPS-x-60W	CPS-x-120W
Maximum Input Wattage	180 W	180 W	200 W
Maximum Input Current	1.8 A	1.8 A	2.0 A
Output Voltage	5 VDC	12 VDC	24 VDC
Output Wattage	50 W	60 W	120 W
Maximum Output Current	10 A	5 A	2.5 A
Input Voltage	120 VAC		
Input Connection	1-15P (standard two-prong wall plug)		
Output Connection	DC barrel jack (5.5 x2.1 mm)		
Dimming	None		
Ambient Operating Temperature	32°-104° F (0°-40° C)		

