

Available Models¹

- DL4D-WW9W
- DL4D-NW9W
- DL4D-CW9W

Part Number Breakdown

Example: DL4D-WW9W

Family	CCT	Wattage
DL4D [Downlight for 4" cans, Dimmable]	WW [3000K]	9 [9 W]
	NW [4000K]	
	CW [5000K]	

Description

DL4D Series retrofit downlights are a versatile lighting solution for commercial and residential spaces, with a 90+ CRI for accurate color rendering. The high CRI output makes this fixture ideal for retail displays, galleries, or any location where faithful color representation is required. Torsion clips and the included E26 adapter allow these to be installed directly into existing four-inch can housings. The recessed light source has a frosted lens and white baffle trim for smooth, glare-free illumination and a clean look.

Mechanical

- White aluminum housing with baffle trim
- Frosted polycarbonate lens
- Included E26 adapter
- IP43 rated
- Operating temperature: -4°-104 F (-20°-40° C)

Electrical

- 120 VAC input
- TRIAC dimmable
- 50,000-hour (L70) LED lifetime

Photometrics

- CCT: available in 3000K, 4000K, or 5000K
- 90+ CRI
- 90° beam angle
- 67 lm/W

Application

Easily installs in existing four-inch can housings for retrofit and remodel projects as well as new construction. These are ideal for offices, hospitality areas, retail locations, kitchens, entertainment and theater rooms, as well as anywhere a high CRI retrofit downlighting solution is required.

Warranty

Three (3) year warranty

Certifications and Compliances

These lights are ETL Classified in compliance with UL 1598C and rated suitable for damp locations.



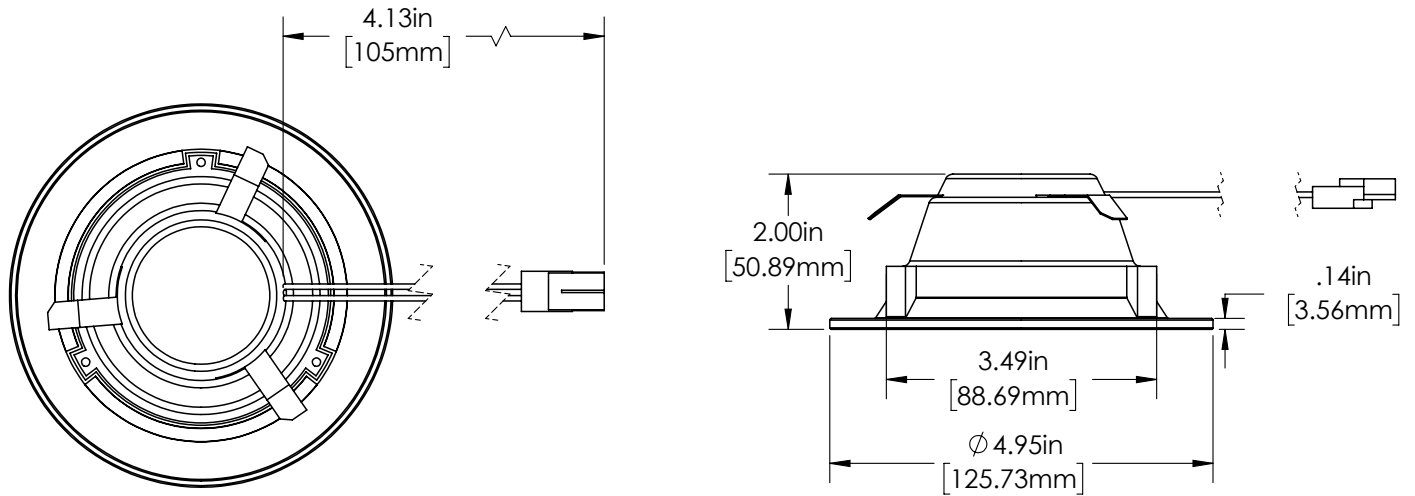
Product Page QR Code



¹Contact customer service if interested in options other than those listed.

Dimensional Drawing

DL4D-x9W



Specifications

Model	DL4D-WW9W	DL4D-NW9W	DL4D-CW9W
Lumen	600 lm		
Operating Voltage	120 VAC		
Wattage	9 W		
Current Draw	80 mA		
Efficacy	67 lm/W		
Color Temperature	3000K	4000K	5000K
Beam Angle	90°		
CRI	90+		
Dimming	TRIAC		
Environmental Rating	IP43, suitable for damp locations		
Ambient Operating Temperature	-4°-104 F (-20°-40° C)		
Rated Life (L70)	50,000 hours		

