

**Important: Read all instructions prior to installation.**

## Slim LED Light Box

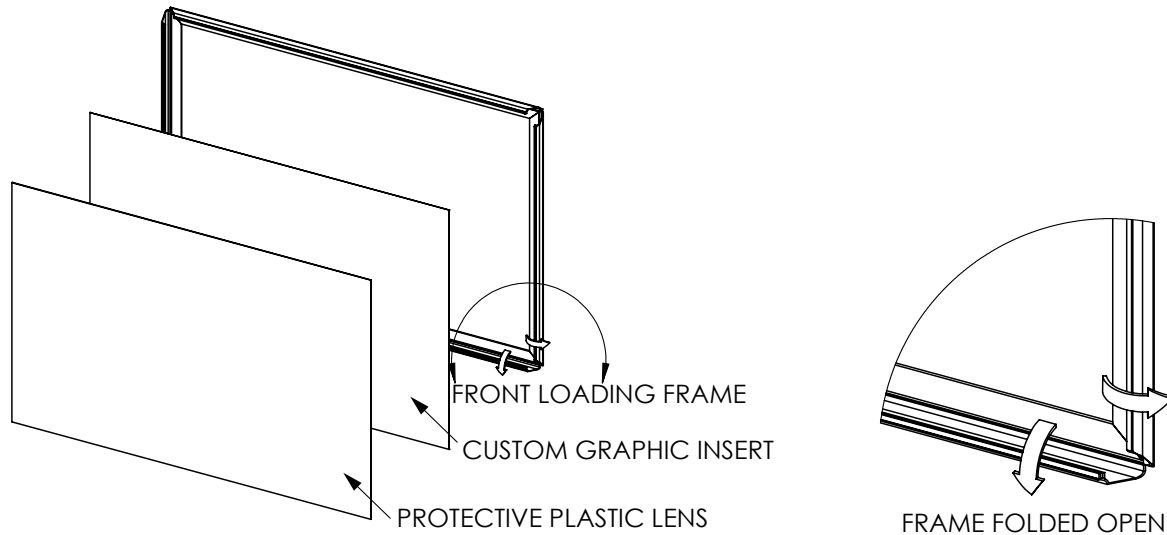
### Included Parts

- 1 - Slim LED Light Box
- 1 - Power Supply and Cord with 1-15 Plug

*Note: This panel operates on 24 VDC. The included power supply and cord is intended for 120 VAC input only.*



### Print installation



### Installation Instructions

1. Apply power to panel to check for proper function.
2. Remove power and gently place panel face down on a flat, clean surface to avoid damage to frame or protective lens.
3. Partially loosen screws on appropriate mounting brackets and slide them into desired position. Once in position, tighten screws.

**Note:** Make certain mounting surface can support the weight of the fixture before mounting.

4. Hang panel in desired position and apply power.

ADJUSTABLE HANGING HARDWARE  
SLIDES ON TRACK

