

## CDLxD Series

Selectable CCT/Wattage LED Downlight

Project \_\_\_\_\_

Date \_\_\_\_\_ Type \_\_\_\_\_



CDL8D-SW3B-SP22W

### Description

CDL series recessed downlights are a versatile lighting solution for both commercial and residential spaces, offering the ability to customize light color and output. Built-in switches allow CCT and wattage selection. Spring mounting clips allow these to be installed directly into the ceiling with or without a housing. Easy installation accommodates new construction and remodel projects alike. Recessed light source has a frosted lens to create smooth, glare-free illumination, and white trim provides a clean finish to compliment a range of interior spaces.

### Mechanical

- Available in 4 sizes (4, 6, 8, and 10 in.)
- Aluminum housing with powder-coated white finish
- -13°-113° F (-25°-45° C) operating temperature [IC rated installation requires operating temp of ≤77° F(25° C)]
- Selection switches for wattage and CCT adjustment

### Electrical

- 120-277 VAC input
- Selectable wattage (three settings per light)
- ≥0.9 power factor
- 0-10 V dimmable
- 50,000-hour (L70) LED lifetime
- Integrated driver removes the need for a traditional recessed housing, saving installers time and money
- 24.5 in. power cable with 17.25 in. flexible aluminum conduit and snap-in connector for 1/2" trade size conduit

### Photometrics

- 100 lm/W
- Selectable CCT (3000K / 4000K / 5000K)
- 80+ CRI
- 90° beam angle
- Frosted polycarbonate lens



### Available Models<sup>1</sup>

- CDL4D-SW3B-SP12W
- CDL8D-SW3B-SP22W
- CDL6D-SW3B-SP16W
- CDL10D-SW3B-SP33W

### Part Number Breakdown

Example: CDL8D-SW3B-SP22W

Family	Size	Dimming	Selectable Color Temperature	Selectable Wattage
CDL	4 [4 in.]	D [0-10 V]	SW3B [3000K / 4000K / 5000K]	SP12W [6/8/12 W]
	6 [6 in.]			SP16W [8/12/16 W]
	8 [8 in.]			SP22W [12/16/22 W]
	10 [10 in.]			SP33W [22/28/33 W]

### Application

Easily installs in new construction or remodels. These are perfectly suited for offices, hospitality areas, retail locations, kitchens, entertainment and theater rooms, as well as anywhere a downlight style solution is required.

### Warranty

Five (5) year warranty

### Certifications and Compliances

These lights are ETL Listed in compliance with UL 1598 (IFAM) and are IP54 rated for damp environments.



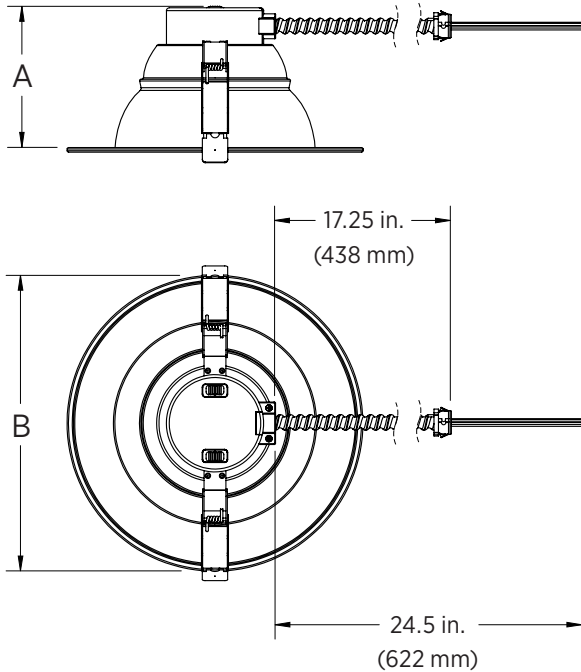
T 866.811.5550  
 F 314.972.6202  
 email: commercial-sales@superbrightleds.com  
 www.superbrightleds.com/cat/industrial-led-lighting/

<sup>1</sup>Contact customer service if interested in options other than those listed.

## CDLxD Series

Selectable CCT/Wattage LED Downlight

### Dimensional Drawing



Model	A	B
CDL4D-SW3B-SP12W	3.5 in. (88 mm)	6 in. (153 mm)
CDL6D-SW3B-SP16W	4.2 in. (108 mm)	8.3 in. (210 mm)
CDL8D-SW3B-SP22W	4.8 in. (122 mm)	10.3 in. (262 mm)
CDL10D-SW3B-SP33W	5.4 in. (136 mm)	11.5 in. (292 mm)

### Specifications

Model	CDL4D-SW3B-SP12W	CDL6D-SW3B-SP16W	CDL8D-SW3B-SP22W	CDL10D-SW3B-SP33W
Lumen	600/800/1,200 lm	800/1,200/1,600 lm	1,200/1,600/2,200 lm	2,200/2,800/3,300 lm
Operating Voltage	120-277 VAC			
Wattage (selectable)	6 W/8 W/12 W	8 W/12 W/16 W	12 W/16 W/22 W	22 W/28 W/33 W
Current Draw (varies by selected wattage)	50-100 mA @ 120 VAC / 22-43 mA @ 277 VAC	67-133 mA @ 120 VAC / 29-58 mA @ 277 VAC	100-183 mA @ 120 VAC / 43-79 mA @ 277 VAC	183-275 mA @ 120 VAC / 79-119 mA @ 277 VAC
Efficacy	100 lm/W			
Color Temperature	selectable (3000K / 4000K / 5000K)			
Beam Angle	80°		90°	
CRI	80+			
Dimming	0-10 V			
IP Rating	IP54			
Ambient Operating Temperature	-4°-113° F (-20°-45° C)			
Product Weight	0.8 lb (0.36 kg)	1.1 lb (0.5 kg)	1.4 lb (0.64 kg)	1.7 lb (0.78 kg)

