

LSFD-SW Series

Selectable CCT LED Strip Light Specifications

Project _____

Date _____ Type _____



LSFD-SW3C40W-H



Description

LSFD series strip light fixtures have convenient and versatile features to fit a wide range of residential, commercial, and industrial environments. Located on the side of the fixture, the field-selectable CCT slide switch allows installers to choose between 3500K, 4000K, and 5000K. Construction is both durable and lightweight, with a white steel body and frosted polycarbonate lens. Round linear lens that matches the style of traditional single fluorescent fixtures, while distributing efficient light free of pixelation, flickering, or glare.

Mechanical

- Lightweight white steel body
- Frosted polycarbonate lens
- Features three selectable CCT options (3500K, 4000K, 5000K) to adapt to an extensive range of residential, commercial, and industrial tasks and applications
- Toolless access to wiring compartment and mounting holes with lens release buttons
- Maintains traditional 4 ft fluorescent fixture appearance with improved LED performance
- 6 total conduit knockouts (1/2" trade size¹) allow for conduit connection or through wiring design for end to end runs
- Included junction box for flush mount
- Optional hanging kit (sold separately)
- Compatible with optional motion sensors and emergency backup driver (sold separately)

Available Models²

Selectable CCT

- LSFD-SW3C40W-H

Part Number Breakdown

Example: LSFD-SW3C40W-H

Family	CCT	Wattage	Efficacy
LSFD	SW3C [selectable CCT, 3500K / 4000K / 5000K]	40W [40 W]	H [130+ lm/W]

Electrical

- 100–277 VAC input
- 0–10V dimmable
- Power factor ≥0.9
- Operational temperature of -4°–113° F (-20°–45° C)

Photometrics

- Rounded diffuser lens for glare-free light and wide, uniform distribution
- 130° beam angle
- 80+ CRI
- Up to 5,400 lumens
- High efficacy—varies by CCT selection from 130 to 135 lm/W

Optional Accessories

- hanging kit (LSFD-HK)



Application

Easily replaces traditional T5 and T8 fluorescent strip fixtures. Simple installation and the ability to wire end to end make these ideal fixtures for many applications including garages, shops, warehouses, and other work or storage areas.

Warranty

Five (5) Year Warranty

Certifications and Compliances

UL Listed for damp or dry locations in compliance with UL 1598 (IFAO).



¹1/2" knockouts are trade size, meaning the hole diameter measures approximately 7/8"

²Contact customer service if interested in options other than those listed.



T 866.811.4440

F 314.972.6202

email: commercial-sales@superbrightleds.com

www.superbrightleds.com/cat/industrial-led-lighting/

Rev V1 Date: 1/11/2021

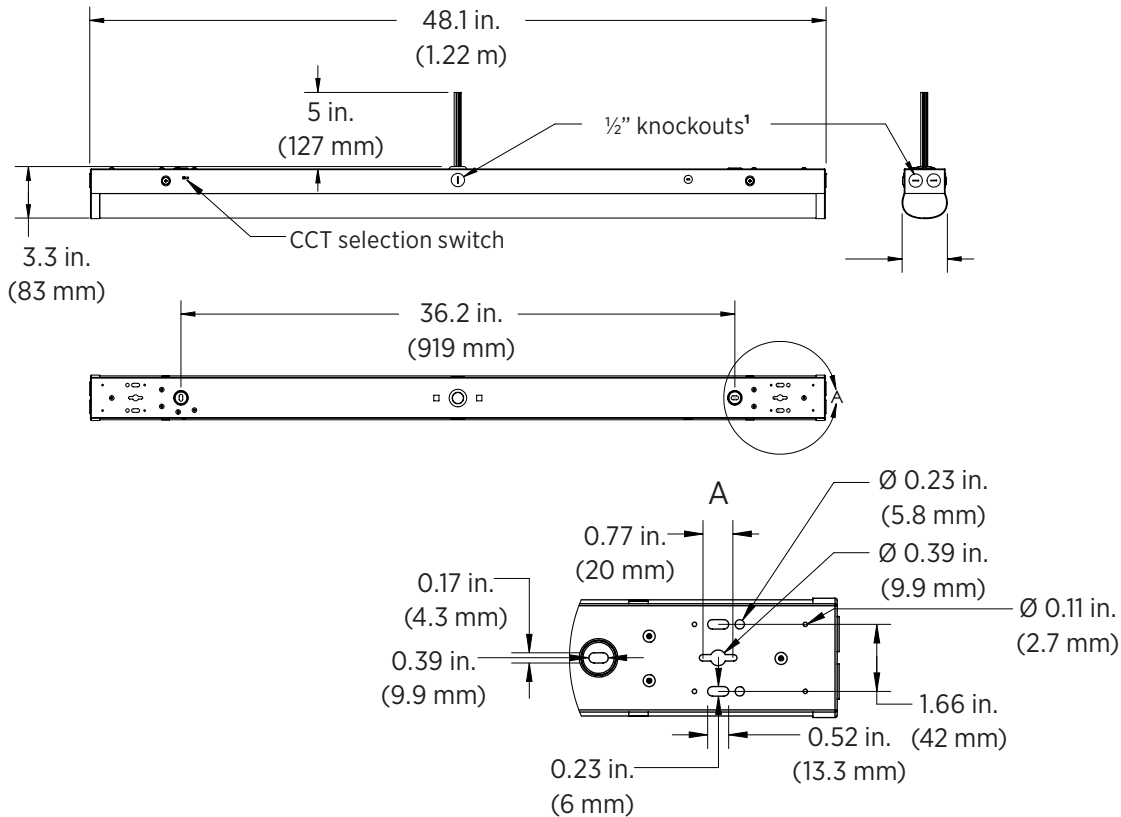
Specifications are subject to change without notice.

Printed in the U.S.A.

LSFD-SW Series

Selectable CCT LED Strip Light Specifications

Dimensional Drawing



Specifications

Model	LSFD-SW3C40W-H
Intensity	5,400 (3500K and 4000K) / 5,200 (5000K)
Operating Voltage	100-277 VAC
Power Consumption	40 W
Current Draw	333 mA @120 VAC / 144 mA @277 VAC
Efficacy	130-135 lm/W
Color Temperature	Selectable (3500K / 4000K / 5000K)
Beam Angle	130°
CRI	80+
Power Factor	≥ 0.9
Dimming	0-10 V
Environmental Rating	IP20, damp or dry location only
Ambient Operating Temperature	-4°-113° F (-20°-45° C)
Product Weight	3.7 lb (1.67 kg)
Rated Life (L70)	50,000 hours

¹/₂" knockouts are trade size, meaning the hole diameter measures approximately 7/8"

