

**Important: Read all instructions prior to installation.**

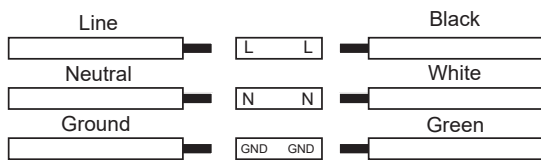
## LED High Bay Light



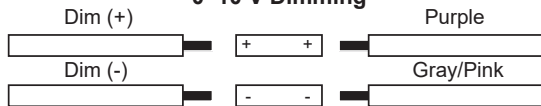
UDSR2-SW3C240S-BT2BH

### Wiring Diagram

#### 120–277 VAC Input



#### 0–10 V Dimming



### Safety and Notes

- Product should be installed and serviced by a certified electrician in accordance with applicable national, state, and local building and electrical codes.
- To reduce the risk of electric shock, ensure that the main power source and circuit breakers are switched off before performing any installation or wiring procedures.
- Avoid looking directly into lamp when illuminated.
- Ensure all mounts are securely attached and will support the weight of the fixture. Failure to properly support fixture may result in damage or injury, for which the manufacturer does not assume responsibility.
- Motion sensor does not fully switch off light. Supply power must be cut to fully turn light off.

### Specifications

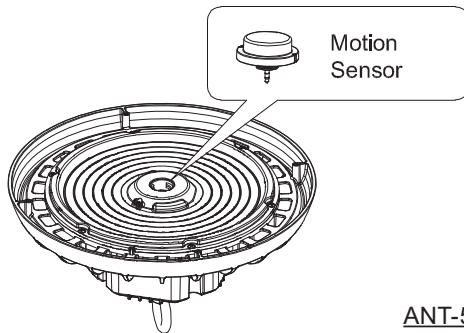
Environmental Specifications	
IP Rating	IP65
Environmental Rating	Suitable for Wet Locations
Operating Temperature	-30 to 50 °C (-22 to 122 °F)

Check product label for specific electrical specifications related to installation. Improper installation will void warranty.

### Motion Sensor Installation

Remove spacer plug from light. Thread on motion sensor to install. Compatible with microwave motion sensor (ANT-5-4T) and network lighting control PIR motion sensor (EFS106-AUX).

See remote control (RC-100) manual instructions for operation with ANT-5-4T sensor.



EFS106-AUX

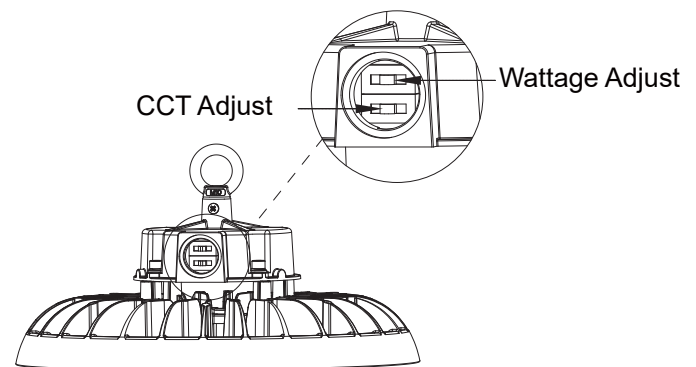


ANT-5-4T



### Selectable CCT and Wattage<sup>1</sup>

Remove rubber grommet to access selectable CCT and Wattage switches.



<sup>1</sup>Applicable models only.

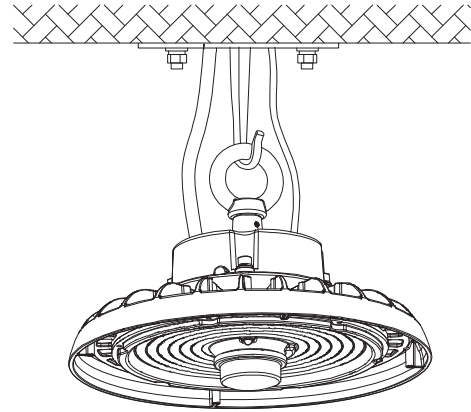
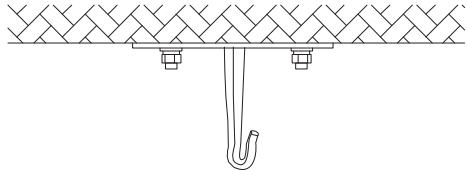


*Important: Read all instructions prior to installation.*

## LED High Bay Light

### Eye Bolt/Hook Installation Instructions

1. Remove supply power.
2. Thread eye bolt / hook into hole on top of fixture and tighten.  
Note: Attach option polycarbonate reflector (UDSR2-PR240).
3. Screw mounting hook testing to ensure it can handle the weight of fixture. Hang fixture securely and attach appropriate safety cable.
4. With supply power switched off, make all wiring connections.
5. Apply supply power.



### PR Lens Installation

1. Turn fixture upside down, if needed.
2. Line up the four holes on reflector with four threaded holes on the light.
3. Attach reflector using provided screws.

