

**MIBOXER®** | Mi·Light  
Subordinate New Brand

## Tunable CCT LED Strip Controller

Model No.: FUT035

### Product Features



Color temperature adjustable



Smartphone App control  
(2.4GHz gateway is needed)



Dim brightness



Support third party voice control  
(2.4GHz gateway is needed)



2.4GHz RF, remote control  
Control distance 30m

### Technical Parameters

Model No.: FUT035

Input voltage: DC12V~24V

Workink Temp.: -20~60°C

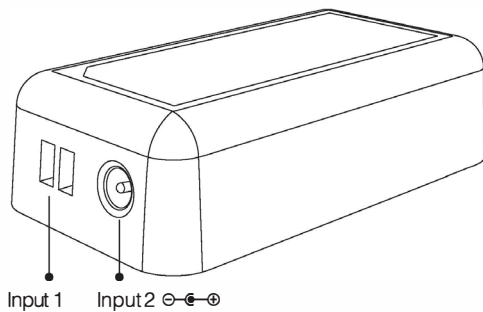
Output connection: Common anode

Output: Max. 6A/Channel

Total output: Max. 10A

RF: 2.4GHz

Control distance: 30m



### Connection Diagram



### Attention:

1. Please check whether the input voltage of the constant voltage power supply is in accordance with the controller, and check the connection of both the cathode and anode, otherwise the controller will be damaged.
2. Do not connect wires with power on. Switch power on again only when it is in right connection and no short circuit.
3. Do not use the controller in the place with metal interior walls or strong electromagnetic waves nearby, otherwise the remote distance will be seriously affected.

### Compatible Remote



#### NOTE

Remote must be paired before use; for more details, please read the remote instruction.



FUT007



Made in China