

Important: Read all instructions prior to installation.

Single-Color LED Strobe Light Head



Specifications

PN-STRB-x9W	
Voltage	10-30VDC
Current Typical	210mA (amber), 380mA (white)
Number of LEDs	3 x 3-Watt
Recommended Fuse Rating	1A/Light Head
Materials	Aluminum Housing, Polycarbonate Lens
Mounting Type	Surface Mount
Wire Length	5in. (13.7cm)
Weight	3 oz (85 g)
IP Rating	Waterproof IP67
Operating Temperature	-30 to 80°C (-22 to 176°F)

Parts Included

- 1- PN-STRB-x9W Strobe Light Head
- 1- Instructional Sheet
- 1- Mounting Screws
- 1- Foam Gasket

Wiring

- Red – Power In(+)
- Black – Ground In (-)
- Yellow – Pattern Select (Momentary +)
- White – Sync Output
- Brown – Sync Input

Operation

This light head can be synchronized with up to 3 others of the same light head (4 total). In order to sync, the lights should be on the same pattern to start. Connecting the yellow wire to the power for one second will select next flash pattern. Lights will return to the last pattern selected when power cycled.

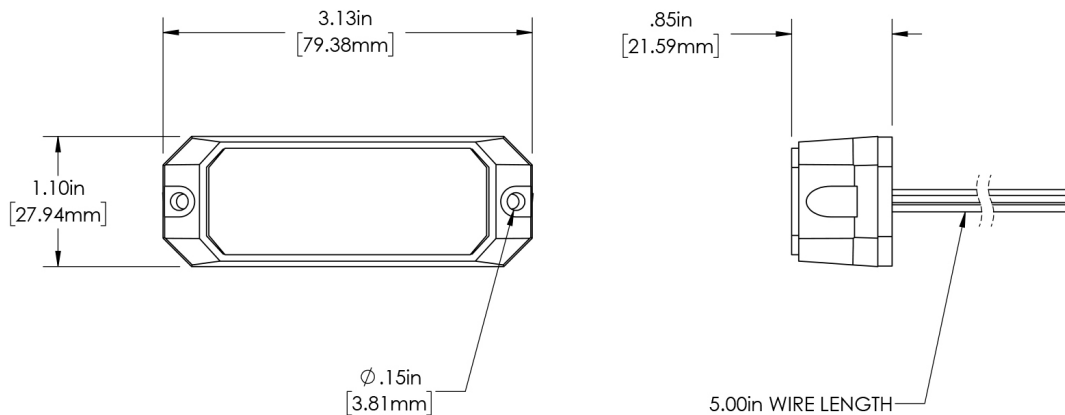
Flash Patterns

1 – Random	10 – Single
2 – Single	11 – Double
3 – Double	12 – Quad
4 – Quad	13 – Accelerator
5 – Pulse	14 – Quad/Single
6 – Accelerator	15 – Pulse/Single
7 – Quad Burst	16 – Single
8 – Double/Accelerator	17 – Single
9 – Quad/Accelerator	18 – Off



Warning: Always disconnect negative battery terminal before making any connections to automotive wiring

Dimensions



Important: Read all instructions prior to installation.

Single-Color LED Strobe Light Head

Wiring Diagram

All Synchronized

