



CDL8D-SW3B-SP22W

Description

CDL series recessed downlights are a versatile lighting solution for both commercial and residential spaces, offering the ability to customize light color and output. Built-in switches allow CCT and wattage selection. Spring mounting clips allow these to be installed directly into the ceiling with or without a housing. Easy installation accommodates new construction and remodel projects alike. Recessed light source has a frosted lens to create smooth, glare-free illumination, and white trim provides a clean finish to compliment a range of interior spaces.

Mechanical

- Available in 4 sizes (4, 6, 8, and 10 in.)
- Aluminum housing with powder-coated white finish
- -4°–113° F (-20°–45° C) operating temperature
- IC rated for direct contact with insulation (Requires ≤ 77° F (25° C) operating temperature)
- Selection switches for wattage and CCT adjustment

Electrical

- 120–347 VAC input
- Selectable wattage
- 0–10 V dimmable
- 50,000-hour (L70) LED lifetime
- 24 in. flexible aluminum conduit and snap-in connector for 1/2" trade size conduit

Photometrics

- 110 lm/W
- Selectable CCT (2700K/3000K/ 3500K/4000K/ 5000K)
- 90+ CRI
- 120° beam angle
- Frosted polycarbonate lens



Available Models¹

- CDL4D-SW5A-SP18W
- CDL8D-SW5A-SP36W
- CDL6D-SW5A-SP27W
- CDL10D-SW5A-SP40W

Part Number Breakdown

Example: CDL4D-SW5A-SP18W

Family	Size	Dimming	Selectable CCT	Selectable Wattage
CDL	4 [4 in.]	D [0–10 V]	SW5A [2700K/3000K/ 3500K/4000K/ 5000K]	SP18W [9/13/18 W]
	6 [6 in.]			SP27W [13/19/27 W]
	8 [8 in.]			SP36W [18/27/36 W]
	10 [10 in.]			SP40W [20/30/40 W]

Application

Easily installs in new construction or remodels. These are perfectly suited for offices, hospitality areas, retail locations, kitchens, entertainment and theater rooms, as well as anywhere a downlight style solution is required.

Warranty

Five (5) year warranty

Certifications and Compliances

These lights are ETL Listed in compliance with UL 1598 (IFAM) and are rated suitable for damp locations.



Product Page QR Code



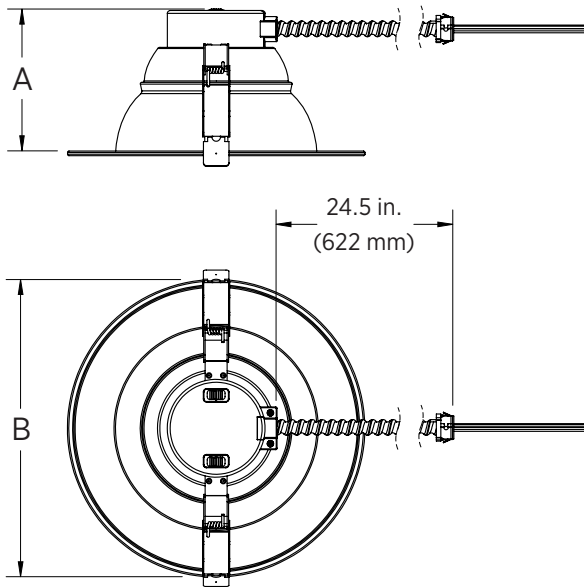
¹Contact customer service if interested in options other than those listed.



CDLxD Series

Selectable CCT/Wattage LED Downlight

Dimensional Drawing



Model	A	B
CDL4D-SW5A-SP18W	4 in. (101 mm)	5.9 in. (150 mm)
CDL6D-SW5A-SP27W	4.5 in. (114 mm)	8.3 in. (211 mm)
CDL8D-SW5A-SP36W	4.7 in. (120 mm)	10.25 in. (260 mm)
CDL10D-SW5A-SP40W	4.8 in. (122 mm)	11.25 in. (285 mm)

Specifications

Model	CDL4D-SW5A-SP18W	CDL6D-SW5A-SP27W	CDL8D-SW5A-SP36W	CDL10D-SW5A-SP40W
Lumens	990 / 1,430 / 1,980	1,430 / 2,090 / 2,970	1,980 / 2,970 / 3,960	2,500/3,750/5,000
Operating Voltage	120-347 VAC			
Wattage (selectable)	9/13/18 W	13/19/27 W	18/27/36 W	20/30/40 W
Current Draw	120 VAC	75/108/150 mA	108/158/225 mA	150/225/300 mA
	277 VAC	32/47/65 mA	47/69/97 mA	65/97/130 mA
Efficacy	110 lm/W			
Color Temperature	selectable (2700K / 3000K / 3500K / 4000K / 5000K)			
Beam Angle	120°			
CRI	90+			
Dimming	0-10 V			
IC Rated	Yes			
Environmental Rating	Suitable for wet locations			
Ambient Operating Temperature	-4°-113° F (-20°-45° C)			
Rated Life (L70)	50,000 hours			

