

Important: Read all instructions prior to installation.

Knuckle-Mount LED Flood Light Fixture

Safety and Notes

- Product should be installed and serviced in accordance with applicable national, state, and local building and electrical codes.
- To reduce the risk of electric shock, ensure that the main power source and circuit breakers are switched off before performing any installation or wiring procedures.
- Avoid looking directly into lamp when illuminated.
- Ensure all mounts are securely attached and will support the weight of the fixture. Failure to properly support fixture may result in damage or injury, for which the manufacturer does not assume responsibility.



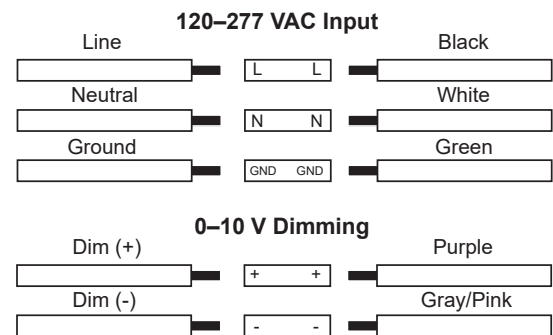
FLCKM2-SW3B30-BRK

Specifications

Specifications	FLCKM2
Operating Temperature	-40°–113° F (-40°–45° C)
Environmental Rating	IP65

Check product label for specific electrical specifications related to installation.
Improper installation will void warranty.

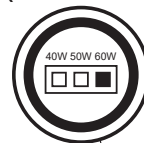
Wiring Diagram



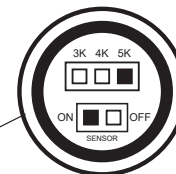
CCT / Wattage / Photocell Settings

Use a screwdriver to remove plug. Make desired CCT, wattage (60 W only), and photocell adjustments.

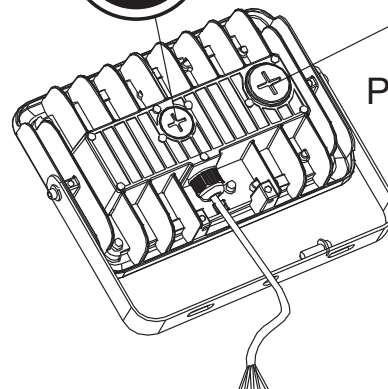
Wattage Selection (60 W only)



CCT Selection



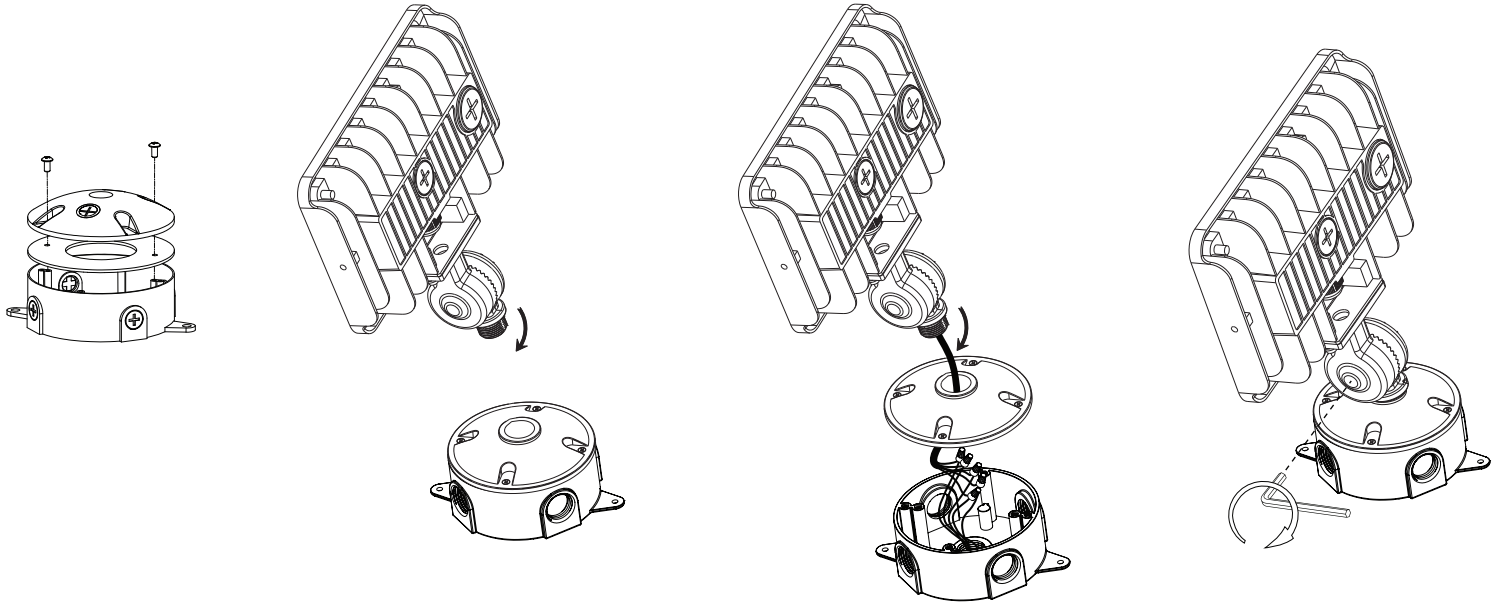
Photocell On/Off



Important: Read all instructions prior to installation.

Knuckle-Mount LED Flood Light Fixture

Installation Instructions



1. If mounting to junction box, begin by removing junction box cover.
2. Remove lock nut and thread light into base or attach to junction box using lock nut to secure in place.
3. With supply power turned off, connect wiring.
4. Attach base to surface or replace junction box cover depending on type of installation.
5. Loosen knuckle and adjust light to desired angle.

