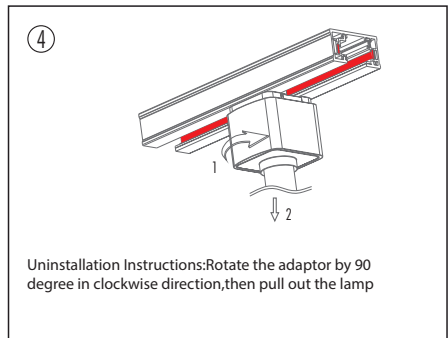
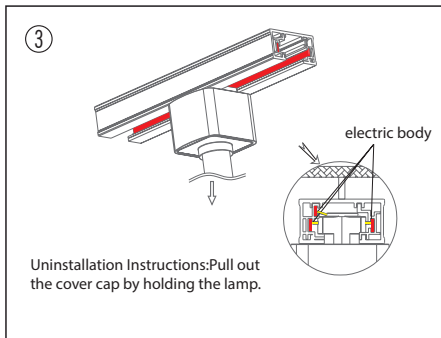
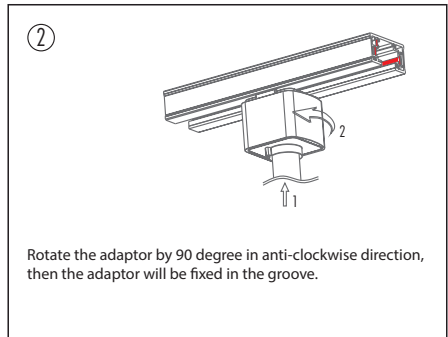
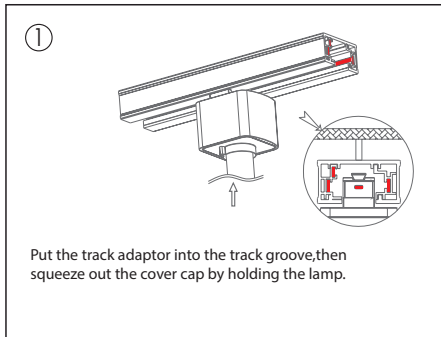


Installation Instructions for Standard Track Light



Safety instructions for lamp installation.

1. In no circumstances should you forget to turn off the power before you make any lamp installation or wire connection.
2. Do not touch the lens or reflector when you install a lamp or adjust the position of a lamp.
3. For personnel's safety, power cables must reach the standard requirement in Instruction Book.
4. Lamps can be directly installed on the surface of ordinary combustible (ordinary combustible : ignition temperature is 200 °C at the very least. And material shape or intensity will be maintained at this temperature, such as wood or similar material made of wood with thickness > 2mm).