



VARIOUS  
SIZES  
AVAILABLE



**Description**

LSLB series LED light bars are designed to provide a customized shape and span of linear light for task or accent lighting in low-profile spaces. Seamlessly Link up to 16' in straight lines or around corners, with multiple lengths and connector options for under cabinet or display case lighting. The lightweight, durable aluminum frame is integrated with back panel magnets for quick attachment to metal applications. Mounting clips and hardware are included for surface mount applications.

**Mechanical**

- Aluminum housing, polycarbonate lens
- Seamless connections
- Mounting: magnetic or clip
- Rated Life (L70) of 30,000 Hours

**Electrical**

- 12 VDC - power supply sold separately
- Cable with DC5.5 barrel plug
- Multiple length/wattage options available

**Photometrics**

- 120° beam angle
- 80+ CRI
- Up to 413 lm/ft
- 4000K CCT
- Dimmable with optional controller (sold separately)

**Available Models<sup>1</sup>**

- LSLB-NW08-12V
- LSLB-NW12-12V
- LSLB-NW20

**Part Number Breakdown**

Example: LSLB-NW12-12V

Series	CCT	Length	Voltage
LSLB	NW [4000K]	08 [8 in.]	12V or blank [12 VDC]
		12 [12 in.]	
		20 [20 in.]	

**Application**

These linear LED fixtures are ideal for cabinet, under-cabinet, cove, bookshelf, showcase, and retail display lighting as well as off-grid and RV lighting applications.

**Warranty**

Three (3) Years



<sup>1</sup>Contact customer service if interested in options other than those listed.

## LSLB Series

Seamless Linkable LED Light Bar Specifications

### Optional Accessories<sup>1</sup>

#### Seamless Connectors

- LSLB-NWTMC – (Middle T-Connection)



- LSLB-NWLC – (Left L-Connection)



- LSLB-NWRC – (Right L-Connection)



- LSLB-NWCC – (Cross Connection)



- LSLB-NWTLC – (Left Two-Way Connector)



- LSLB-NWTRC – (Right Two-Way Connector)



#### Mounting Clips

- LSLB-MC



#### Interconnect Cables

- LSLB-I06 – (6")
- LSLB-I12 – (12")
- LSLB-I36 – (36")



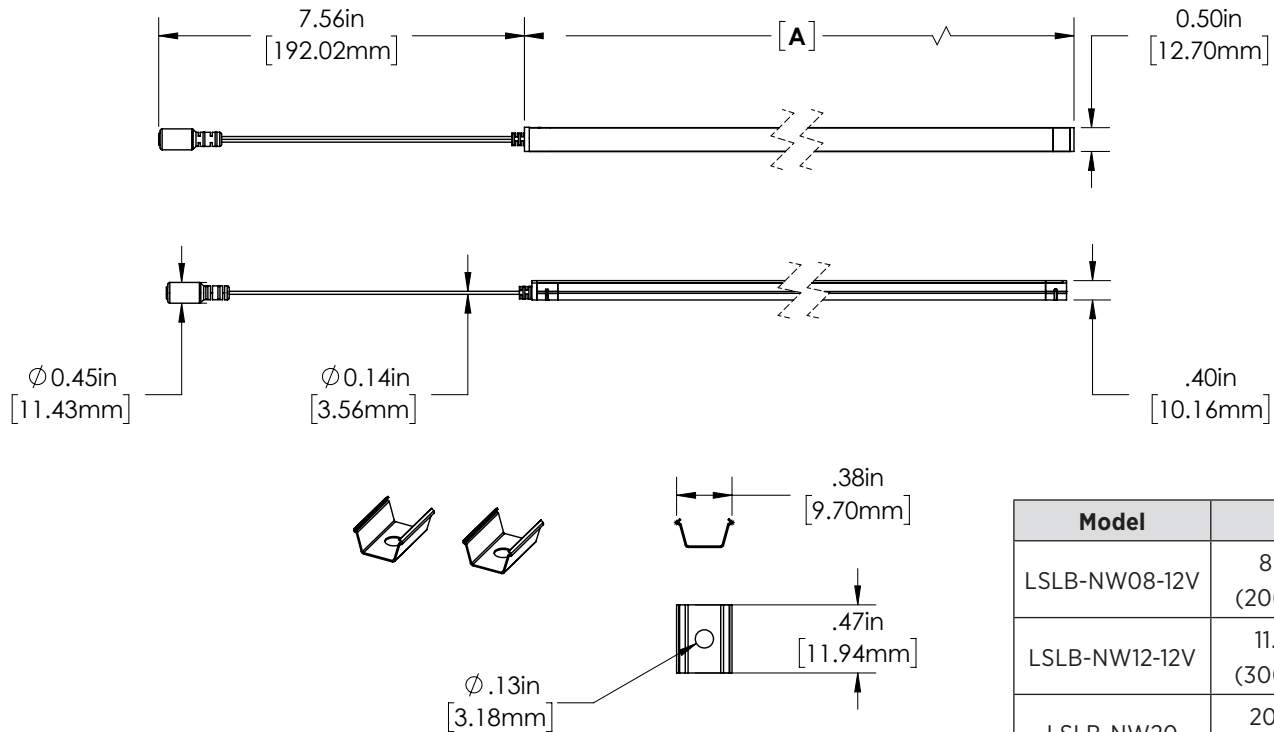
<sup>1</sup>Contact customer service if interested in options other than those listed.  
Specifications are subject to change without notice.



## LSLB Series

Seamless Linkable LED Light Bar Specifications

### Dimensional Drawing



Model	A
LSLB-NW08-12V	8.1 in. (206 mm)
LSLB-NW12-12V	11.8 in. (300 mm)
LSLB-NW20	20.2 in. (513 mm)

### Specifications

Model	LSLB-NW08-12V	LSLB-NW12-12V	LSLB-NW20
Operating Voltage	12 VDC		
Light Length	8 in.	12 in.	20 in.
Brightness	413 lm/ft	410 lm/ft	402 lm/ft
Power Consumption	2.9 W	4.3 W	7 W
Current Draw   12 VDC	240 mA	360 mA	540 mA
Color Temperature	4000K		
Efficacy	up to 95 lm/W		
Beam Angle	120°		
CRI	80+		
Input Connection Type	5.5 mm x 2.1 mm DC Barrel		
Dimmable	yes		
Max Run (Class 2)	16.4 ft (5 m)		
Environmental Rating	IP20, non-weatherproof		
Rated Life (L70)	30,000 hours		

