

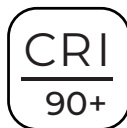
superbrightleds.com

DL56DI Retrofit Downlight

6" Recessed LED Downlight Specifications

Project _____

Date _____ Type _____



Description

The DL56DI Series retrofit downlight produces softly diffused lighting for commercial and residential spaces thanks to a lensless concealed LED design. The hidden LEDs reflect off the aluminum reflector delivering a high CRI output ideal for retail displays, galleries, or any location where faithful color representation is required. Retention springs and the included E26 adapter allow these to be installed directly into existing five- or six-inch can housings. The a smooth white trim and reflector provide a clean look suited to modern architecture.

Mechanical

- White die-cast aluminum housing with smooth trim
- Operating temperature: -4°-104° F (-20°-40° C)
- IP43, suitable for damp locations

Electrical

- 120 VAC input
- TRIAC dimmable
- 50,000-hour (L70) LED lifetime

Photometrics

- Lensless concealed LED design reduces glare and eyestrain
- Available in 3000K or 4000K
- 90+ CRI
- 150° beam angle

Available Models¹

- DL56DI-WW15W
- DL56DI-NW15W

Part Number Breakdown

Example: DL56DI-WW15W

Family	CCT	Wattage
DL56DI [Downlight for 5/6" cans, Dimmable, Indirect]	WW [3000K]	15 [15 W]
	NW [4000K]	

Application

Easily installs in existing five- or six-inch can housings for retrofit and remodel projects as well as new construction. These are ideal for offices, hospitality areas, retail locations, kitchens, entertainment and theater rooms, as well as anywhere a high CRI retrofit downlighting solution is required.

Warranty

Three (3) year warranty

Certifications and Compliances

These lights are ETL Classified in compliance with UL 1598C.



Product Page QR Code



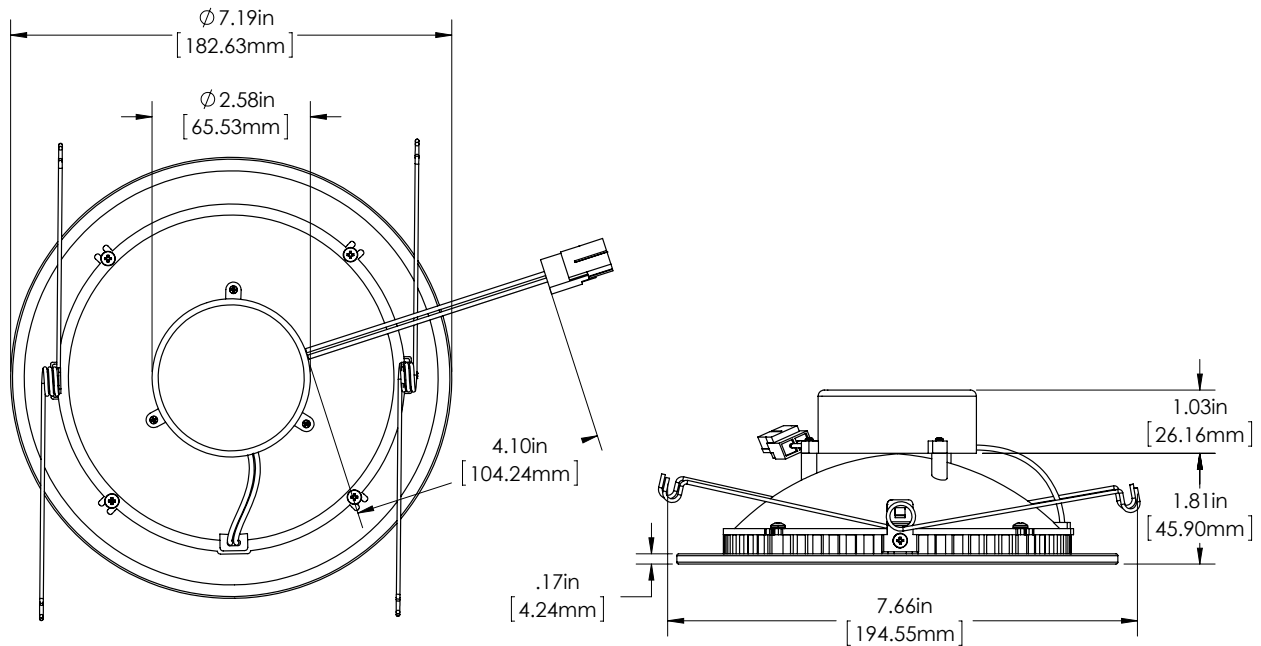
T 866.811.5550
 F 314.972.6202
 email: commercial-sales@superbrightleds.com
 www.superbrightleds.com/cat/industrial-led-lighting/

¹Contact customer service if interested in options other than those listed.

DL56DI Retrofit Downlight

6" Recessed LED Downlight Specifications

Dimensional Drawing



Specifications

Model	DL56DI-WW15W	DL56DI-NW15W
Lumen	800 lm	900 lm
Operating Voltage	120 VAC	
Wattage	15 W	
Current Draw	130 mA	
Efficacy	53 lm/W	60 lm/W
Color Temperature	3000K	4000K
Beam Angle	150°	
CRI	90+	
Dimming	TRIAC	
Environmental Rating	IP43, suitable for damp locations	
Ambient Operating Temperature	-4°-104 F (-20°-40° C)	
Rated Life (L70)	50,000 hours	

