

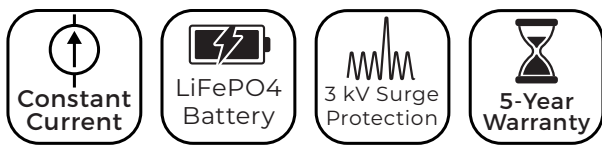
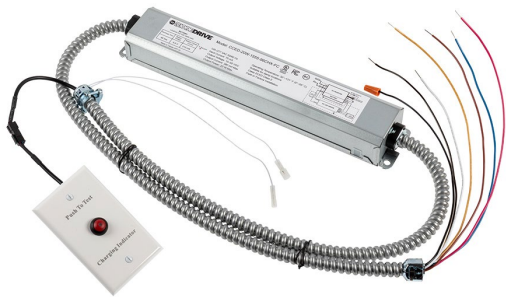


# CCED Series

## Emergency Backup LED Driver Specifications

Project \_\_\_\_\_

Date \_\_\_\_\_ Type \_\_\_\_\_



### Description

The DiodeDrive CCED emergency LED driver is a battery backup and emergency driver module that works with LED luminaires to allow them to remain powered when there is an outage. When AC power to the normal driver is lost in the event of a power outage, the emergency driver and built-in battery provide 363 mA constant current output at a voltage range of 15-55 VDC. LiFePO4 battery provides dependable, long-lasting backup for a minimum of 90 minutes of emergency power.

### Features

- 363 mA constant current output at 15-55 VDC
- 90+ minute operation in emergency mode
- Flexible conduit houses all external wires
- Remote test switch/charge indicator module is included and fits in a single-gang box
- Case constructed of durable galvanized steel
- Operating temperature range of 32°-131° F
- 3 kV surge protection
- Wide 120-277 VAC input voltage range
- Full battery recharge within 48 hours after complete discharge
- Open/short, over-voltage, and over-temperature protection
- Soft switching to prevent voltage spikes and increase longevity of the LED modules

### Available Models

- CCED-20W-1555-96CHX-FC

### Part Number Breakdown

Example: CCED-20W-1555-96CHX-FC

Family	Max Output Wattage	Output Voltage	Backup Battery	Special Features
CCED	20W [20 W]	1555 [15-55 VDC]	96 [9.6 V LiFePO4]	<b>CHX-FC</b> [included combo switch/indicator and flexible wiring conduit]

### Application

These drivers are an excellent addition to new or existing luminaires including light panels, troffers, downlights, strip fixtures, high bays, or any other commercial or industrial light.

### Certifications and Compliances

UL Listed as Class 2 in compliance with UL 924 (FTBR). This driver also meets CEC Title 20 efficiency standards.

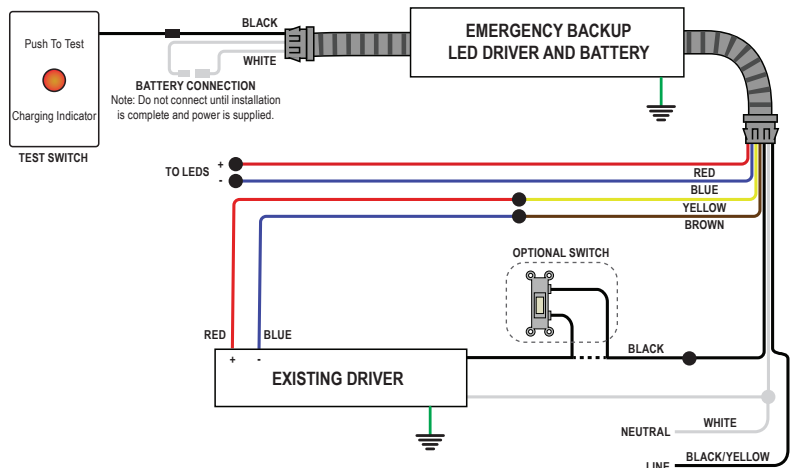


### Warranty

Five (5) Year Warranty

### Wiring

Case must be properly grounded during use.



T 866.811.5550

F 314.972.6202

email: commercial-sales@superbrightleds.com

www.diode-drive.com

www.superbrightleds.com/cat/power-supplies

Rev V1 Date: 9/21/2020

Specifications are subject to change without notice.

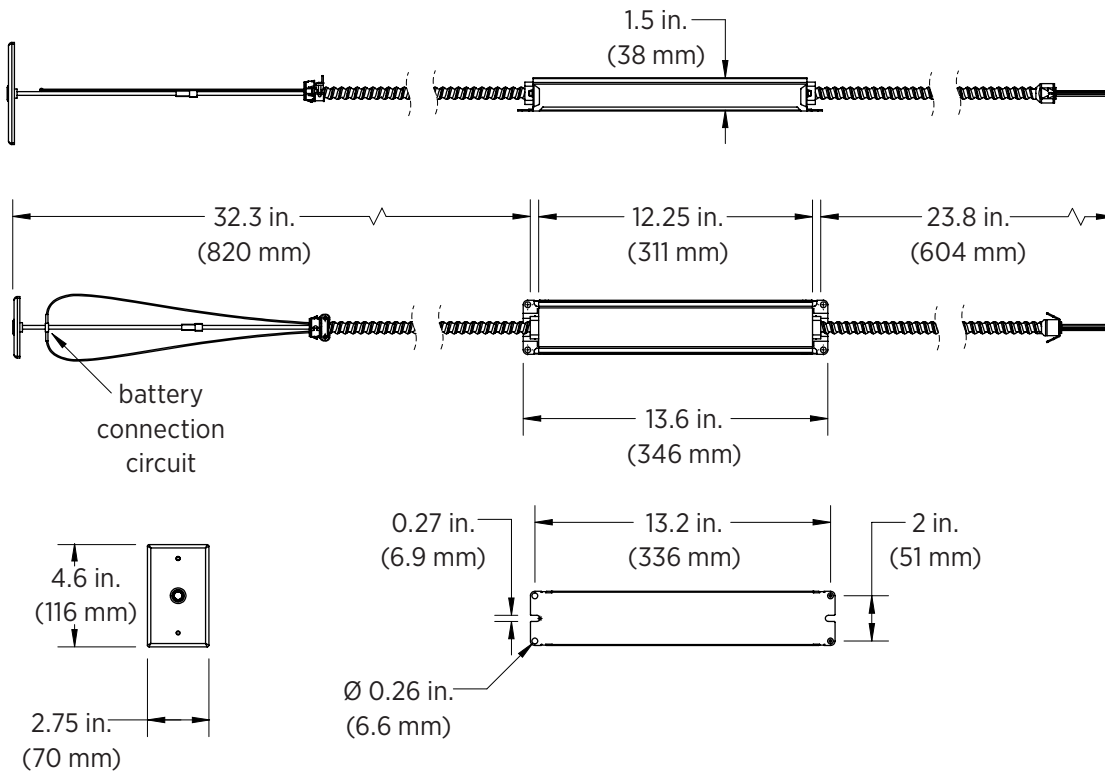
Printed in the U.S.A.



# CCED Series

## Emergency Back-Up LED Driver Specifications

### Dimensional Drawing



### Specifications

Model	CCED-20W-1555-96CHX-FC
Input Voltage	120-277 VAC
Maximum Input Wattage	5 W
Maximum Input Current	70 mA (maintenance) / 210 mA (recharge)
Output Voltage	15-55 VDC
Maximum Output Wattage	20 W
Output Current	363 mA (constant current)
Battery Run Time	≥90 min.
Battery Type	9.6 V LiFePO4
Battery Charge Time	48 hours (from full discharge)
Surge Protection	3 kV
Ambient Operating Temperature	32°-131° F (0°-55° C)
IP Rating	IP30
Case Material	galvanized steel
Weight	3.5 lb (1.63 kg)

T 866.811.5550

F 314.972.6202

email: [commercial-sales@superbrightleds.com](mailto:commercial-sales@superbrightleds.com)

[www.diode-drive.com](http://www.diode-drive.com)

[www.superbrightleds.com/cat/power-supplies](http://www.superbrightleds.com/cat/power-supplies)