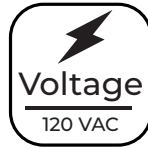




CVPSD-120WM-24V-JB



Available Models

12 VDC Output

 CVPSD-120WM-12V-JB

 CVPSD-200WM-12V-JB

24 VDC Output

 CVPSD-120WM-24V-JB

 CVPSD-200WM-24V-JB

Part Number Breakdown

Example: CVPSD-120WM-24V-JB

Series	Output Wattage	Driver Case	Output Voltage	Included Accessories
CVPSD [Constant Voltage Power Supply, Dimmable]	120W [120 W]	M [metal]	12V [12 VDC] or 24V [24 VDC]	JB [junction box]
	200W [200 W]			

Overview

The DiodeDrive dimmable constant-voltage power supply effectively powers a range of electronics. The driver has an IP66 waterproof housing and built-in short-circuit, overload, and over-temperature protection. It is housed in a durable, vented steel enclosure, allowing the power supply to run cool in indoor and outdoor applications. The enclosure also functions as a built-in junction box with knockouts for easy wiring access. The compact profile makes it ideal for residential and commercial use. The optional 6 ft power cord has a grounded 5-15 plug.

Features

- 12 VDC or 24 VDC constant voltage output
- MLV and ELV TRIAC Dimmable
- Rated for outdoor or indoor use
- Vented steel enclosure ensures optimal performance

Product Details

- Black powder-coated steel enclosure
- Multiple 1/2" trade-size conduit knockouts
- Single output (120 W) or Dual Output 2x 100W (200 W)
- IP66 waterproof driver housing
- Enclosure tabs for surface mounting
- 120 VAC input

Certifications and Compliances

- ETL Listed - UL 1012

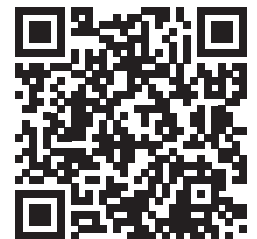


Optional Accessories

- 6 ft, 5-15P power cord (_POWERCORD)

Warranty

- 2-year warranty

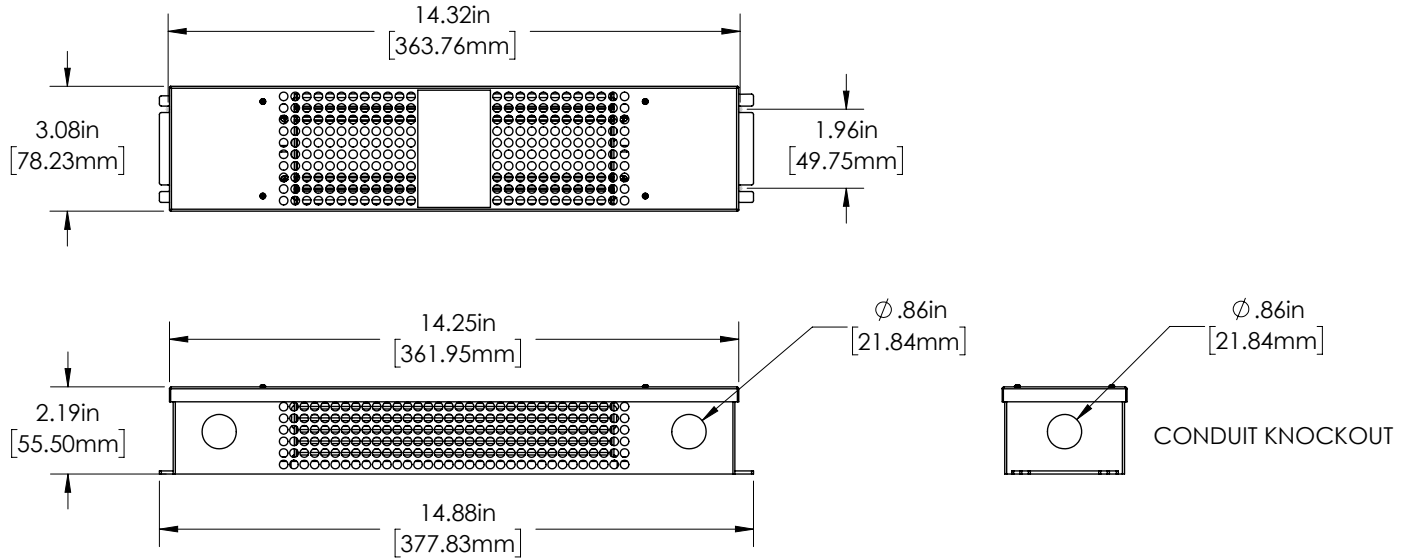


CVPSD Series

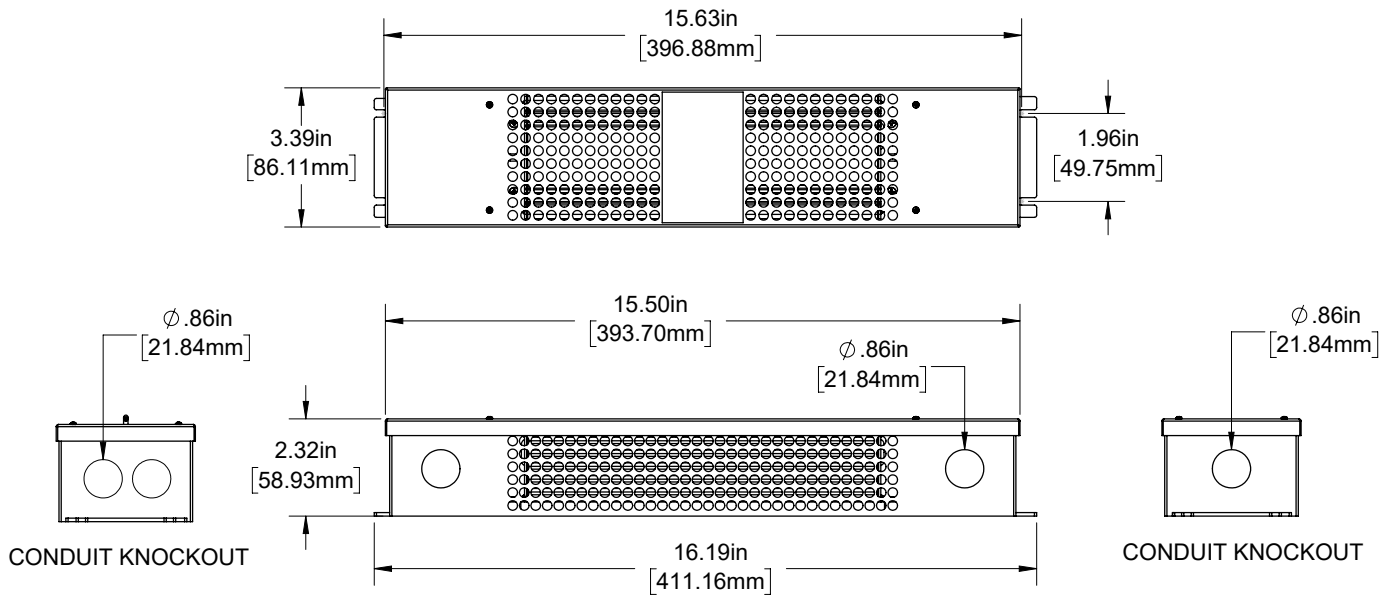
Metal Enclosed AC/DC Power Supply Specifications

Dimensional Drawings

CVPSD-120WM-x-JB



CVPSD-200WM-x-JB





CVPSD Series

Metal Enclosed AC/DC Power Supply Specifications

Series Specifications

Model	CVPSD-120WM-x-JB	CVPSD-200WM-x-JB
Dimming	TRIAC	
Power Factor	0.65 (full-loading)	
Leakage Current	<0.5 mA	
Withstand Voltage	I/P-O/P: 1500 VAC	
Isolation Resistance	I/P-O/P: 100 MΩ / 500 VDC / 25° C / 70% RH	
Short-circuit Protection	hiccup mode (recovers automatically once fault is removed)	
Overloading Protection	≤120% of maximum load	
Over-temperature Protection	212° F ± 18° F (100° C ± 10° C) shuts down output voltage and automatically recovers after temperature is lowered	
Ambient Operating Temperature	-40°-140° F (-40°-60° C)	
Operating Humidity	20-90% relative humidity, non-condensing	
IP Rating	IP66	
Junction Box Finish	black	
Weight	3.7 lb (1.68 kg)	5.1 lb (2.3 kg)

Model Specifications

Model CVPSD-	120WM-12V-JB	200WM-12V-JB	120WM-24V-JB	200WM-24V-JB
Input Voltage	120 VAC			
Output Voltage	12 VDC		24 VDC	
Maximum Input Wattage	156 W	250 W	156 W	250 W
Output Wattage	120 W	200 W (100 W x2)	120 W	200 W
Maximum Input Current	2 A	3.2 A	2 A	3.2 A
Maximum Output Current	10 A	16.67 A (8.33 A x2)	5 A	8.33 A

