

**Important: Read all instructions prior to installation.**

## LED UFO High Bay Light



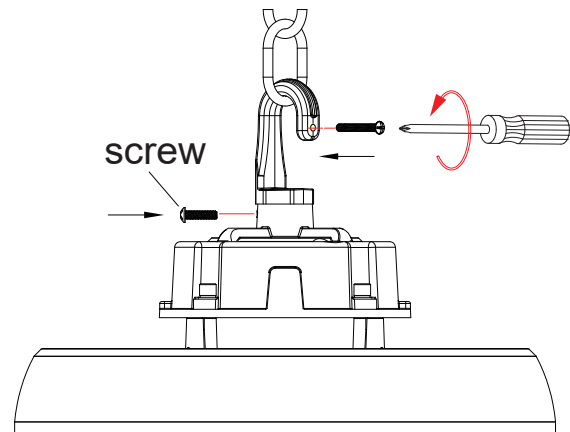
UHBD-S1-50K100-80H

### Included Parts

- 1 - high bay light
- 1 - hook

### Installation

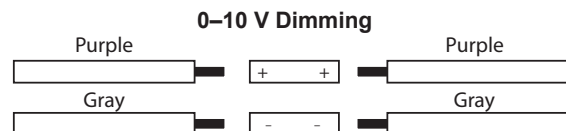
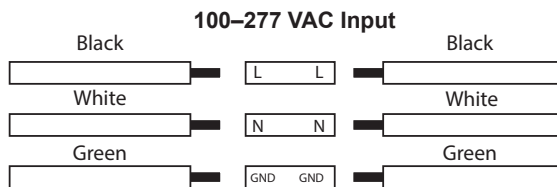
1. Insert hook into threaded hole on top of fixture and tighten.
2. With supply power switched off, connect wiring.
3. Hang fixture by attaching hook to an existing chain or carabiner (SBL number HBU-CARB or SC-300).



### Safety and Notes

- Product should be installed by a certified electrician in accordance with applicable national, state, and local building and electrical codes.
- To reduce the risk of electric shock, ensure that the main power source and circuit breakers are switched off before performing any installation or wiring procedures.
- Avoid looking directly into the lamp when illuminated.
- Ensure all mounts are securely attached and will support the weight of the fixture. Failure to properly support the fixture may result in damage or injury, for which the manufacturer does not assume responsibility.

### Wiring Diagram



### Specifications

Model	UHBD-S1-xKx-80H
Operating Temperature	-40°–113° F(-40°–45° C)
Environmental Rating	IP65, wet locations
Dimming	0–10 V

Check product label for specific electrical specifications related to installation. Improper installation will void warranty.



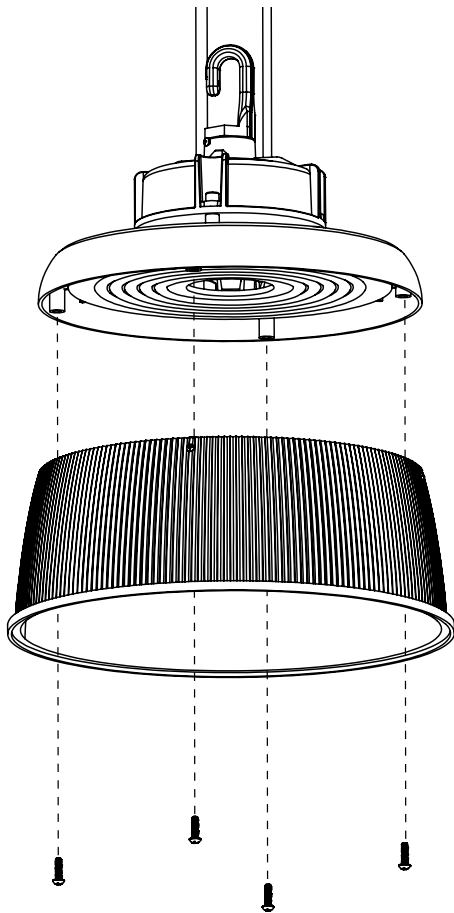
*Important: Read all instructions prior to installation.*

## LED UFO High Bay Light

### Reflectors and Guards

Optional reflectors and guards can be installed by attaching the accessory to the existing, unused screw holes in the light housing using the screws provided with the accessory guard or reflector.

UHBD-S1-PRx



UHBD-S1-WGx

