

## WPFC2 Series

LED Wall Pack Specifications

Project \_\_\_\_\_

Date \_\_\_\_\_ Type \_\_\_\_\_



WPFC2-50K40-H



### Features

- 120-277 VAC
- L70 rated 50,000 hour lifetime
- IP65 rated water resistance
- Full cutoff design drastically reduces glare and maximizes light distribution

### Construction

Manufactured with a durable aluminum housing and polycarbonate lens.

### Application

Easily replaces inefficient metal-halide fixtures such as those found in warehouses, parking lots and garages, gas stations, and other commercial and industrial spaces. These are also a great solution for entryways and other areas where good lighting is essential for security.

### Output Equivalencies

WPFC2-50K40-H	175 W metal-halide
WPFC2-50K60-H	250 W metal-halide
WPFC2-50K80-H	400 W metal-halide

### Warranty

Five (5) Year Warranty

### Certifications and Compliances

These lights are UL Listed in compliance with UL 1598 (IFAM).



**LISTED**



T 866.811.5550

F 314.972.6202

email: commercial-sales@superbrightleds.com

www.superbrightleds.com/cat/industrial-led-lighting/

### Available Models<sup>1</sup>

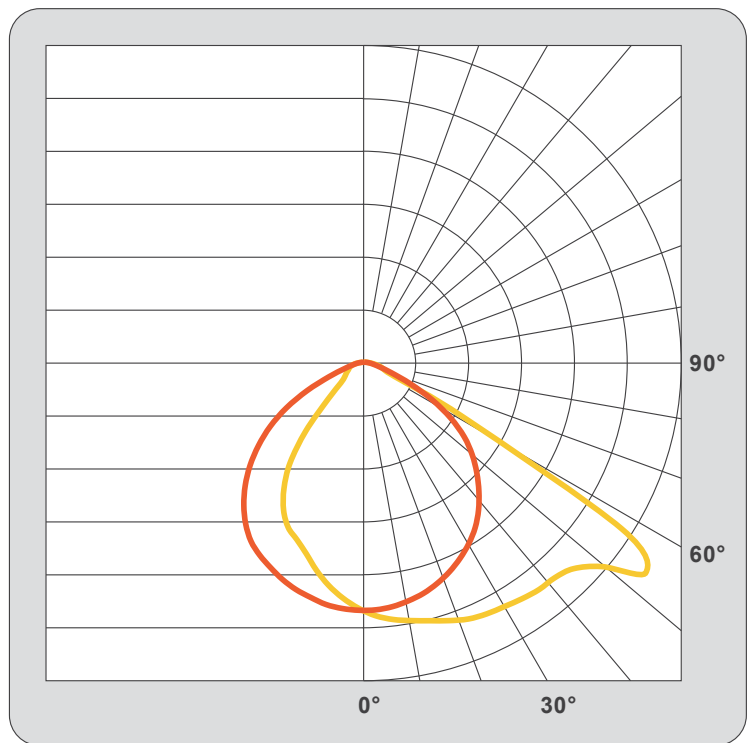
- WPFC2-50K40-H
- WPFC2-50K60-H
- WPFC2-50K80-H

### Part Number Breakdown

Example: WPFC2-50K40-H

Family	Color Temperature	Wattage	Efficacy
WPFC2	50K [5000K]	40 [40 W]	H [≥110 lm/W]
		60 [60 W]	
		80 [80 W]	

### Photometrics - Beam Angle



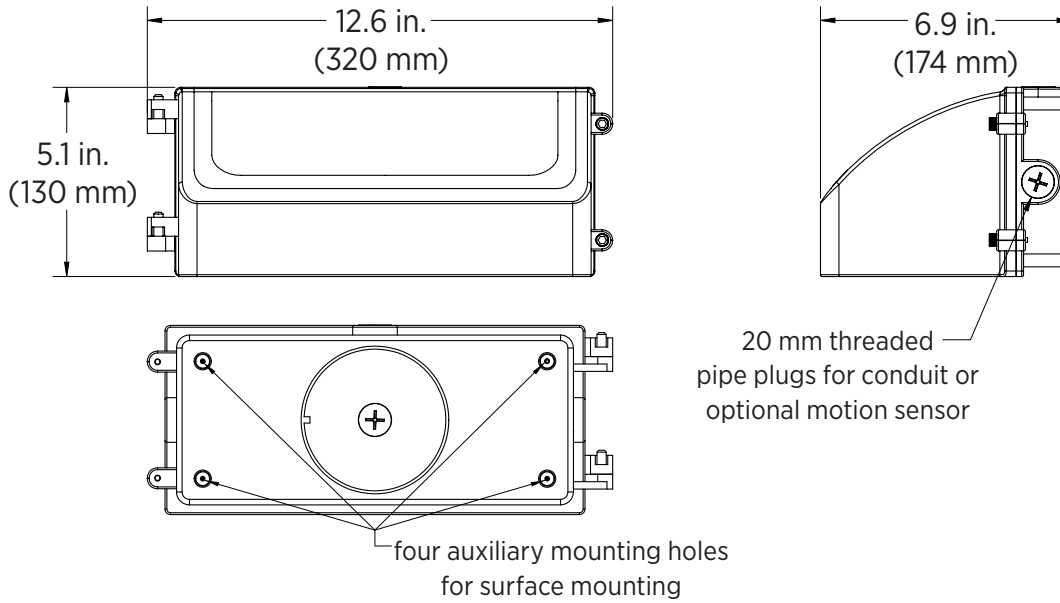
Additional model-specific photometric data available on site or upon request.

<sup>1</sup>Contact customer service if interested in options other than those listed.

# WPFC2 Series

LED Wall Pack Specifications

## Dimensional Drawing



## Specifications

Model	WPFC2-50K40-H	WPFC2-50K60-H	WPFC2-50K80-H
Intensity	4,400 lm	6,900 lm	9,200 lm
Operating Voltage	120-277 VAC		
Power Consumption	40 W	60 W	80 W
Current Draw	0.33 A @120 VAC	0.5 A @120 VAC	0.67 A @120 VAC
Efficacy	110 lm/W	115 lm/W	
Color Temperature	5000K		
Beam Angle	90° x 100° (NEMA 5 x NEMA 6)		
CRI	70+		
Dimming	yes, 1-10 V		
IP Rating	IP65		
Ambient Operating Temperature	-4°-104° F (-20°-40° C)		
Product Weight	4.5 lb (2.04 kg)		
Rated Life (L70)	50,000 hours		

## Notes

