

PTLP2-SW Series

LED Post Top Light Specifications

Project \_\_\_\_\_

Date \_\_\_\_\_ Type \_\_\_\_\_



**Available Models<sup>1</sup>**

- PTLP2-SW55W-HCGBRP35
- PTLP2-SW75W-HCG-BRP35

**Part Number Breakdown**

Example: PTLP2-SW75W-HCG-BRP35

Family	Color Temperature	Wattage	LED Type	Lens	Finish	Control Option	CCT Selection Options
PTLP2	SW [selectable CCT]	55W [55 W]	H [Lumileds]	CG [clear glass]	BR [bronze]	P [preinstalled photocell base]	35 [3000K / 4000K / 5000K]
		75W [75 W]					

**Description**

PTLP2 series post top light meets the design needs of any commercial outdoor setting while providing quality illumination. Within the housing, select between three different color temperatures that range from a warm to cool white. The clean frame suits both modern and traditional styles in residential neighborhoods, city parks, or university campuses. Constructed of powder coated aluminum, the durable exterior also resists corrosion. Impact-resistant glass lens allows a downward, circular distribution of light to increase safety and visibility in pedestrian spaces. Choose photocell option for maintenance-free dusk to dawn operation, or shorting cap for manual control.

**Mechanical/Construction**

- Bronze powder-coated aluminum body
- Tempered glass lens
- IP65 environmental rating

**Electrical**

- 120-277 VAC (75 W) or 100-277 VAC (55 W) input
- 1-10 V dimmable
- Built-in surge protection
- 50,000 hour L70 rated lifespan

**Photocell Options**

- JL-205C (electronic photocell)
- JL-208 (shorting cap)

**Photometrics**

- 115° beam angle
- Selectable CCT (3000K / 4000K / 5000K)
- 125+ lm/W efficacy

**Certifications and Compliances**

These lights are Certified by UL in compliance with UL 1598 (IFAM) and are listed by DesignLights Consortium as DLC 5.1 Premium.



**Application**

Easily replaces inefficient metal-halide fixtures such as those found at parks, commercial streets, school campuses, and other commercial and recreational locations with pathway lighting.

**Warranty**

Five (5) year warranty



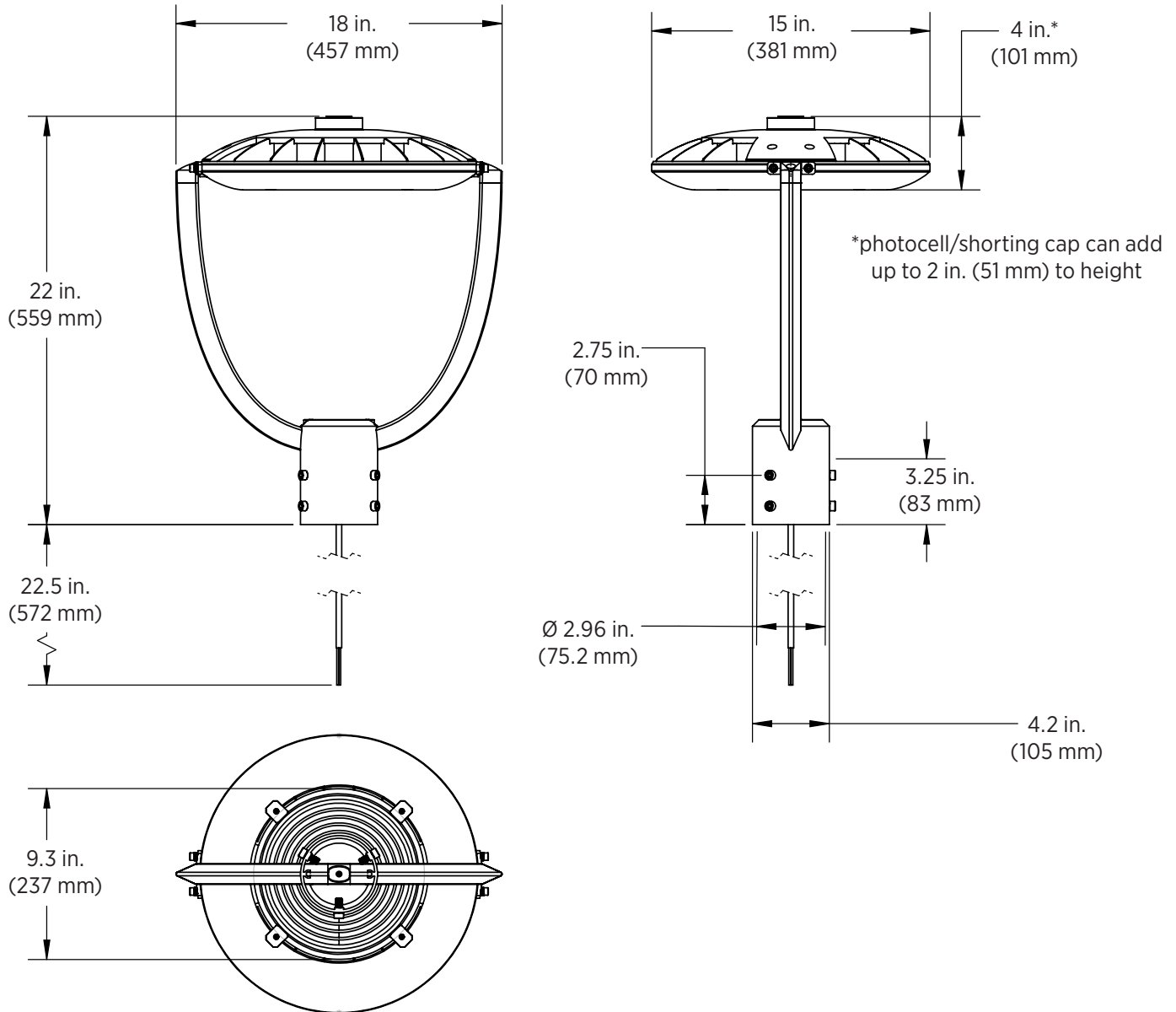
T 866.811.5550  
 F 314.972.6202  
 email: commercial-sales@superbrightleds.com  
 www.superbrightleds.com/cat/industrial-led-lighting/

<sup>1</sup>Contact customer service if interested in options other than those listed.

# PTLP2-SW Series

LED Post Top Light Specifications

## Dimensional Drawing



# PTLP2-SW Series

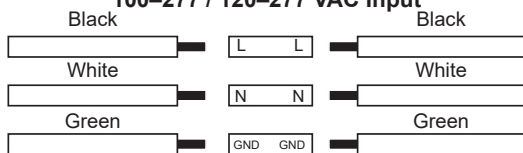
LED Post Top Light Specifications

## Specifications

Model	PTLP2-SW55W-HCGBRP35	PTLP2-SW75W-HCG-BRP35
Intensity (30K/40K/50K)	6,875 / 7,425 / 7,150 lm	9,375 / 10,125 / 9,750 lm
Operating Voltage	100-277 VAC	120-277 VAC
Power Consumption	55 W	75 W
Current Draw (at max. wattage)	458 mA @ 120 VAC 199 mA @ 277 VAC	625 mA @ 120 VAC 271 mA @ 277 VAC
Efficacy (30K/40K/50K)	125 / 135 / 130 lm/W	125 / 135 / 130 lm/W
Color Temperature	selectable (3000K / 4000K / 5000K)	
Beam Angle	115°	
Power Factor	≥0.9	
BUG Rating	B2-U2-G1	B3-U2-G1
CRI	80+	
Dimming	1-10 V	
IP Rating	IP65	
Ambient Operating Temperature	-40°-122° F (-40°-50° C)	
Surge Protection	1.5 kV	2 kV (L-N), 4 kV (L/N-G)
Rated Life (L70)	50,000 hours	

## Wiring Diagram

### 100-277 / 120-277 VAC Input



### 1-10 V Dimming

