

Important: Read all instructions prior to installation.

Selectable CCT Full Cutoff LED Wall Pack

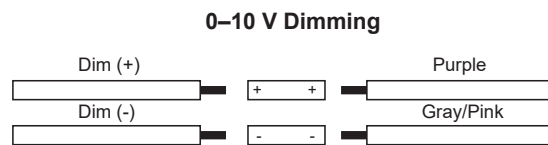
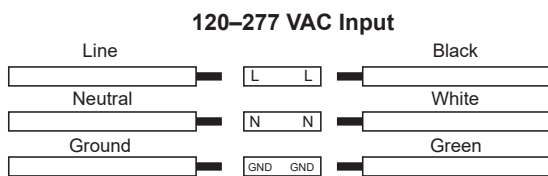
Safety and Notes



WP-15K22-BK-A

- Product should be installed and serviced by a certified electrician in accordance with applicable national, state, and local building and electrical codes.
- To reduce the risk of electric shock, ensure that the main power source and circuit breakers are switched off before performing any installation or wiring procedures.
- Avoid looking directly into lamp when illuminated.
- Ensure all mounts are securely attached and will support the weight of the fixture. Failure to properly support fixture may result in damage or injury, for which the manufacturer does not assume responsibility.

Wiring Diagram

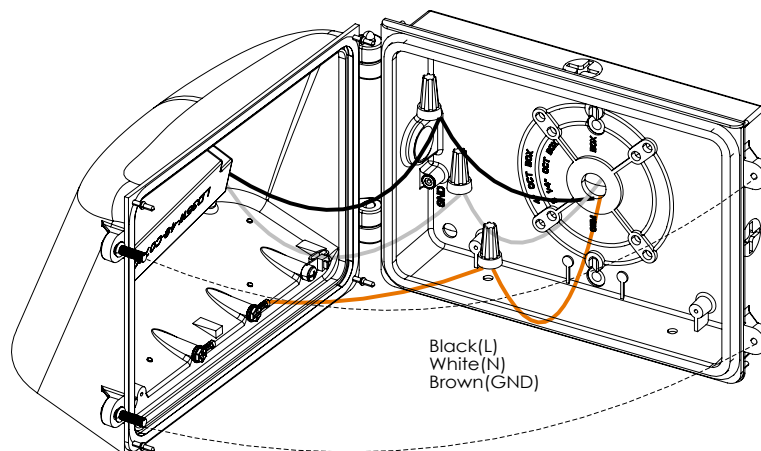


Specifications

Model	WP-15K22-x-A
Operating Temperature	-40°–113° F (-40°–40° C)
IP Rating	IP65

Check product label for specific electrical specifications related to installation. Improper installation will void warranty.

Opening Fixture



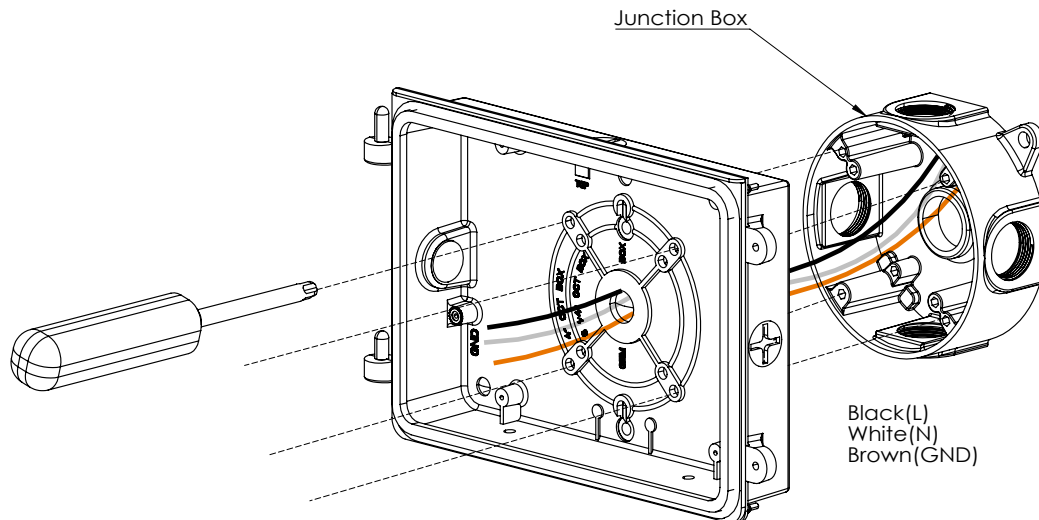
Important: Read all instructions prior to installation.

Selectable CCT Full Cutoff LED Wall Pack

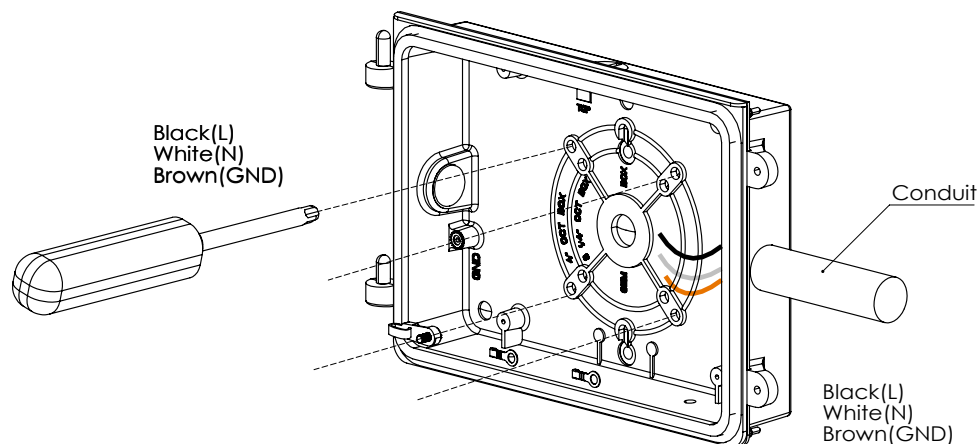
Junction Box Installation

1. Remove screws and swing front housing out. Disconnect wiring from driver to LEDs and lift up to separate front and rear housings.
2. Drill holes in rear housing for mounting. For junction box wiring, remove rear pipe plug and for conduit mounting remove one of the side plugs.
3. Measure and create mounting holes on wall as needed.
4. With supply power off, connect wiring.
5. Reattach front housing to rear housing.

Junction Box Installation



Conduit Installation



Rev Date: V1 01/18/2023

4400 Earth City Expy, St. Louis, MO 63045 • 866-590-3533 • superbrightleds.com