

Important: Read all instructions prior to installation.

Selectable CCT / Wattage LED Troffer Retrofit Kit



TLFDK-SW3C45-24

Safety and Notes

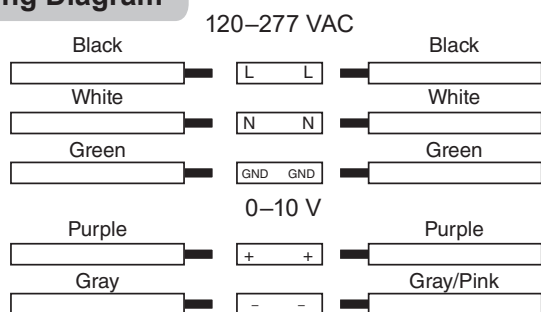
- **WARNING**—Risk of fire or electric shock. The electrical rating of these products are 120–277 VAC, the installer must determine whether they have 120–277 VAC at the luminaire before installation.
- **WARNING**—Risk of fire or electric shock. LED Retrofit Kit installation requires knowledge of luminaire's electrical systems. If not qualified, do not attempt installation. Contact a qualified electrician.
- **WARNING**—Risk of fire or electric shock. Install this kit only in the luminaires that have the construction features and dimensions shown in the photographs and/or drawings.
- **WARNING**—To prevent wiring damage or abrasion, do not expose wiring to edges of sheet metal or other sharp objects.
- **WARNING**—Risk of fire or electric shock. Luminaire wiring and electrical parts may be damaged when drilling for installation of LED retrofit kit. Check for enclosed wiring and components.
- **Do not make or alter any open holes in an enclosure of wiring or electrical components during kit installation.**
- To reduce the risk of death, personal injury or property damage from fire, electric shock, falling parts, cuts/abrasions, and other hazards read all warnings and instructions included with and on the fixture box and all fixture labels.
- Product should be installed in accordance with applicable national, state, and local building and electrical codes.
- To reduce the risk of electric shock, ensure that the main power source and circuit breakers are switched off before performing any installation or wiring procedures.
- Avoid looking directly into the lamp when illuminated.
- Ensure all mounts are securely attached and will support the weight of the fixture. Failure to properly support the fixture may result in damage or injury, for which the manufacturer does not assume responsibility.
- All wiring connections should be capped with UL approved wire connectors.

Specifications

Model	TLFDK-SW3C30-22 / TLFDK-SW3C45-24
Operating Temperature	-4°–122° F (-20°–50° C)
Environmental Rating	IP20

Check product label for specific electrical specifications related to installation. Improper installation will void warranty.

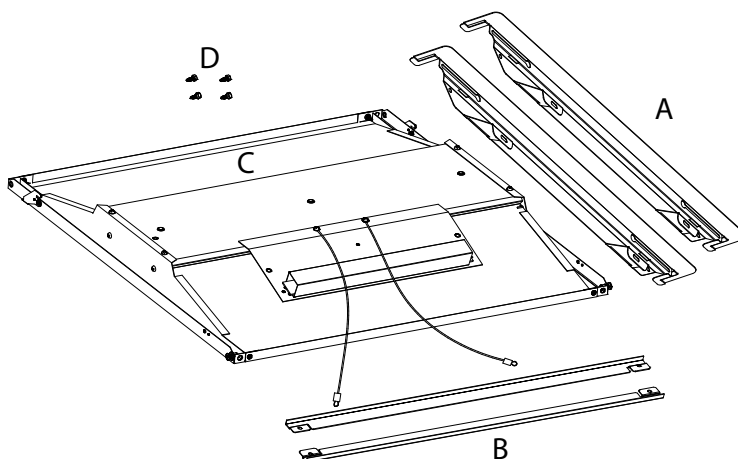
Wiring Diagram



Note: Cap any unused wires during installation process.

Components

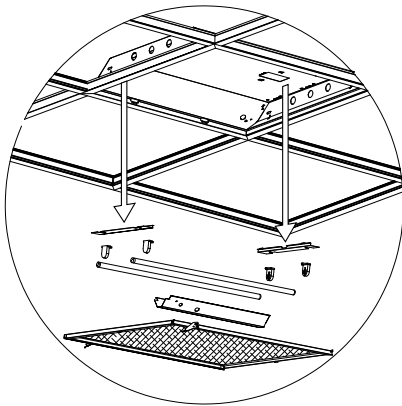
- A: Two End Plates
- B: Two Side Plates
- C: One Fixture Body
- D: Four Self-Tapping Screws



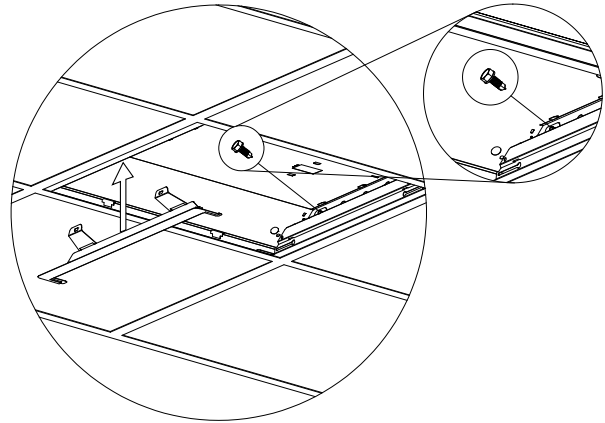
Important: Read all instructions prior to installation.

Selectable CCT / Wattage LED Troffer Retrofit Kit

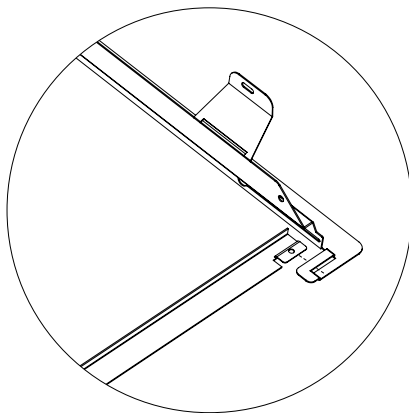
Installation Instructions



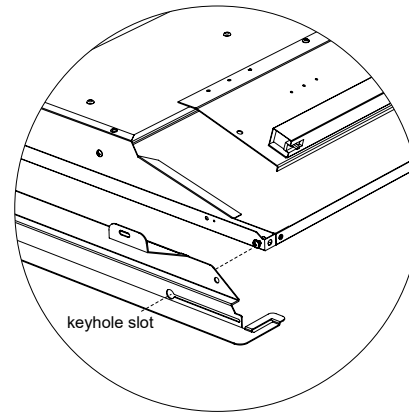
1. Turn off supply power. Remove T8 tubes, ballasts, and tombstones. Select desired CCT and wattage on LED troffer.



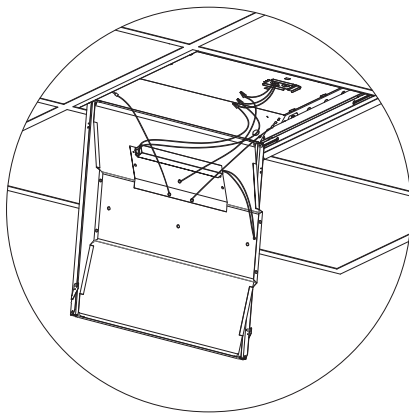
2. Attach end plates into existing troffer housing using included screws to secure.



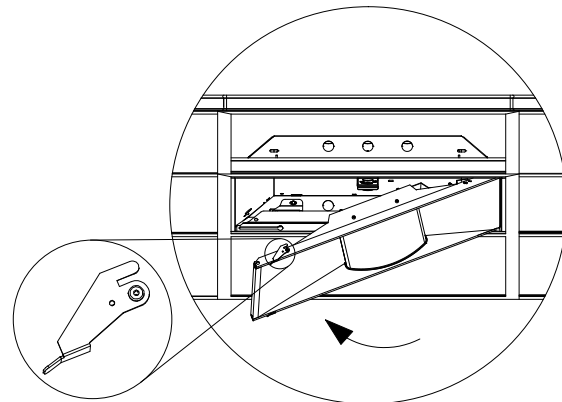
3. Attach the side plates to end plates to secure.



4. Attach light fixture to the keyhole slot of the side plate using the peg of fixture.



5. Attach safety cable and make all electrical connections.



6. Mount fixture into place using the locking latches to secure.

