

### Strip CCT Options

- STN-A22K90-O32-08L5M-24V-1-COB
- STN-A27K90-O32-08L5M-24V-1-COB
- STN-A30K90-O32-08L5M-24V-1-COB
- STN-A40K90-O32-08L5M-24V-1-COB
- STN-A50K90-O32-08L5M-24V-1-COB
- STN-A65K90-O32-08L5M-24V-1-COB

### SAMPLE PART NUMBER BREAKDOWN

## STN-A22K90-O32-08L5M-24V-1-COB

SERIES / TYPE / COLOR / CRI				LED TYPE / SEGMENT		IP RATING	SIZE / DENSITY / VOLTAGE				Kit
STN	A	22K	90	O	32	-	08	L	5M	24V	1-COB
Series	Strip Type	Color	CRI	LED Type	LED/Segment	IP Rating	Strip Width	Density	Length	Voltage	Kit Type
STN: Non-weatherproof	A: Single White	22K: 2200K 27K: 2700K 30K: 3000K 40K: 4000K 50K: 5000K 65K: 6500K	90: 90-94	O: COB	32: 32 LED/seg	blank: IP20	08: 8 mm	L: 512 LEDs/m	5M: 5 m	24V: 24 VDC	1-COB: COB Kit VI

### Description

COB (chip-on-board) LED strip lights provide a smooth and continuous “line of light” without hotspots. These are well suited for use on or around reflective surfaces such as granite countertops and tile floors. A high 90+ CRI provides accurate color rendering ideal for trade shows or retail displays. Customize using the cut segments and join with solderless clamps without wire stripping or splicing. Flexible construction and 3M™ adhesive backing make installing it on round surfaces and edges easy.

### Electrical

- 24 VDC input
- Efficient COB chips
- PWM dimmable

### Photometrics

- 180° beam angle
- 90+ CRI

### Warranty

Five (5) year warranty

### Applications

Applications include countertop, cove, task, toe kick, and under-cabinet lighting and display light for cases and trade shows.

### Certifications and Compliances

These strips are UL Listed in compliance with UL 2108 standards.



### What's Inside:

- (1) 5m Single-Color LED COB Strip Light - 24V
- (1) Single Color LED Controller - RF Remote
- (1) 60W DiodeDrive® AC Power Adapter
- (1) Standard Barrel Connector to Screw Terminal Adapter
- (10ft) 22 AWG Two Conductor Power Wire
- (2) Two Conductor Quick Connect Terminal Blocks
- (14) Solderless Clamp-On Pigtail Adapters
- (2) 3M™ Double-Sided Foam Pads



T 866.811.5550

F 314.972.6202

email: commercial-sales@superbrightleds.com

https://www.superbrightleds.com/cat/complete-led-strip-kits/

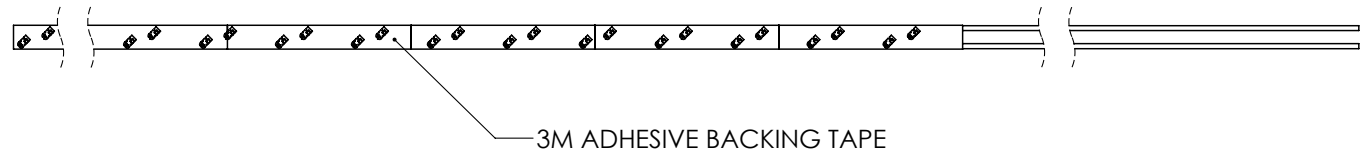
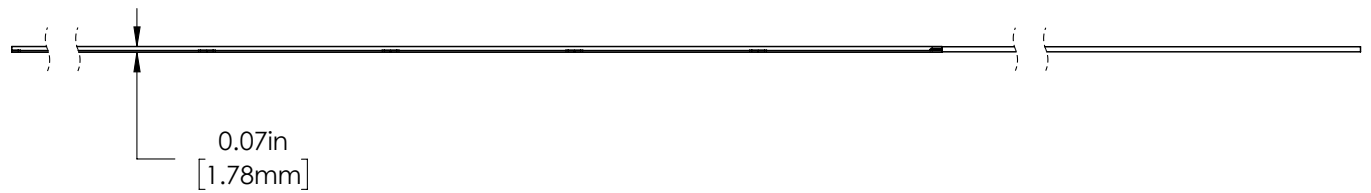
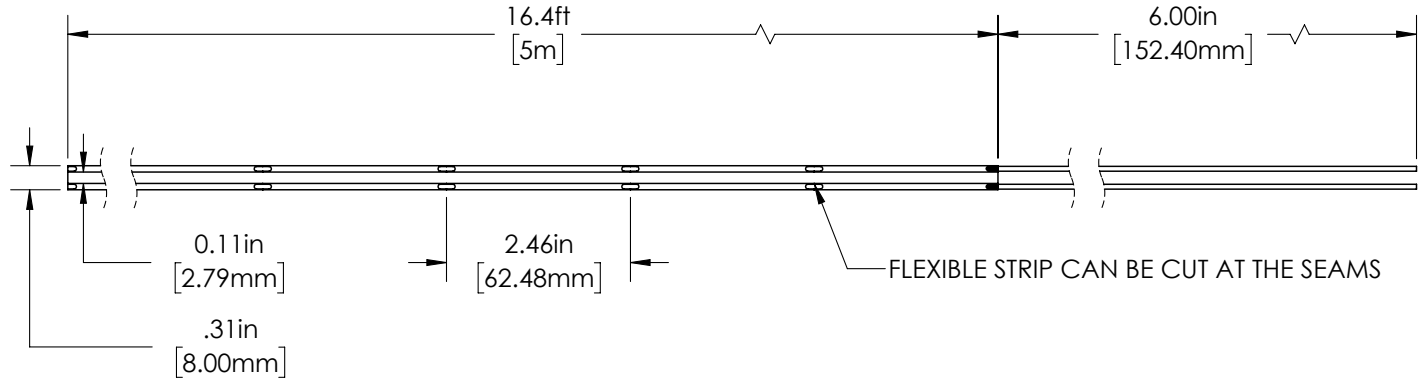
Rev. V1 Date: 4/5/2024

Specifications are subject to change without notice.

Printed in the U.S.A.

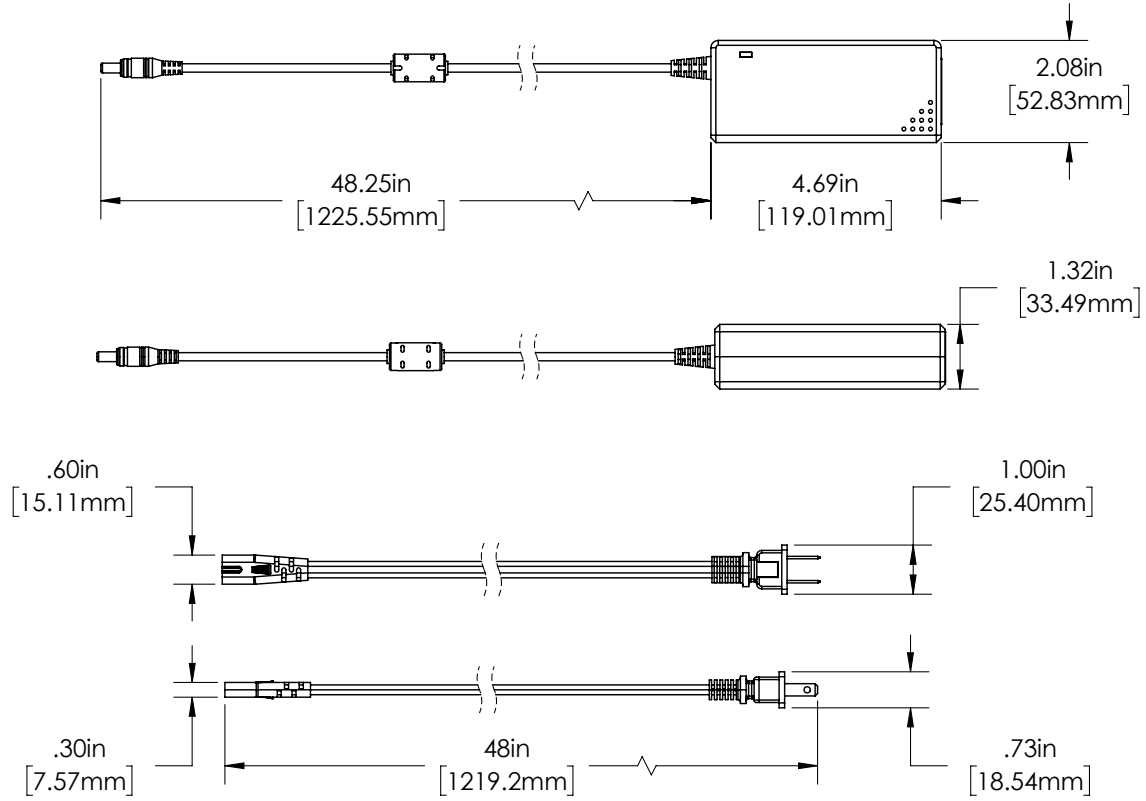
**Dimensional Drawings**

COB Strip

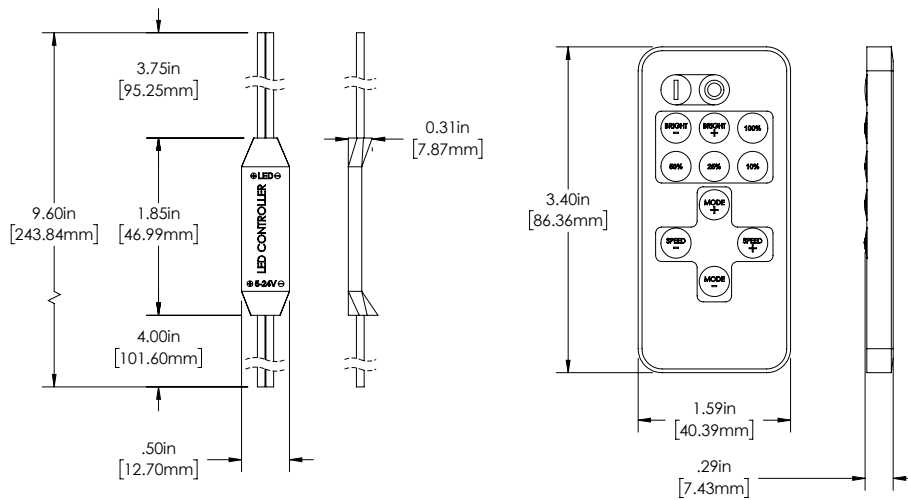


**Dimensional Drawings**

Power Adapter



RF Remote



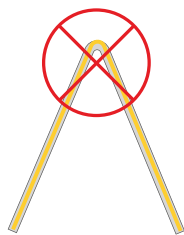
**Specifications**

Strip Specifications	
Beam Angle	180°
Brightness	Up to 351 lm/ft (1150 lm/m)
Connection Type	Pigtail
CRI	90+
Dimmable	Yes
Input Voltage	24 VDC
IP Rating	IP20
LED Density	156 LEDs/ft
LED Lifetime	30,000 hours
LED Type	COB (chips-on-board)
LEDs per Segment	32
Length	16.4 ft (5 m)
Minimum Cut Length	2.46 in. (62.5 mm)
Max Run	Up to 24.6 ft (7.5 m)
Strip Width	0.31 in. (8 mm)
Wattage Per Foot	3.1 W/ft (10.2 W/m)
Wattage Total	50 W
Wire Length	20 in. (508 mm)
Standards And Certifications	UL Listed, RoHS Compliant
Single White CCT Options	Warm: 2200K, 2700K, or 3000 Natural: 4000K Cool: 5000K or 6500K

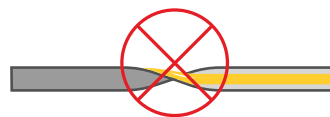
Controller Specifications	
Input Connection	Pigtail
Control Range	Up to 30 ft (9 m)
Input Voltage	5-24 VDC
Output Voltage	5-24 VDC
Rated Current	4 Amps
IP Rating	IP20
Remote Type	Handheld (RF) Remote

Power Adapter Specifications	
Input Connection	1-15P Plug
Input Voltage	120 VAC
Output Connection	5.5mm Barrel Connector
Output Voltage	24 VDC
Standards And Certifications	UL Listed, FCC, RoHS
Wattage	60 W
IP Rating	IP20
Cord Length	47 in. (119 cm)

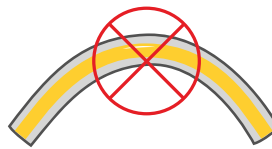
**Strip Flexibility**



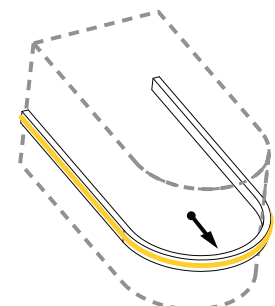
Bending strips at sharp angles will damage circuit traces and void warranty.



Twisting strips will damage circuit traces and void warranty.



Bending strips on horizontal plane will damage circuit traces and void warranty.



Minimum bending radius  $\geq$  1.1 in [30 mm]

