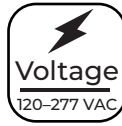




BLBW3-SW3B24S-42



BLBW6-SW3B24S-42



Available Models¹

G3 Style

BLBW3-SW3B24S-42

G6 Style

BLBW6-SW3B24S-42

Part Number Breakdown

Example: BLBW3-SW3B24S-42

Series	Light Head	Color Temperature	Wattage	Size
BLBW [Bollard Light]	3 [G3] 6 [G6]	SW3B [Selectable, 3000K / 4000K / 5000K]	24S [Selectable, 14 W/19 W/24 W]	42 [-42 in. height]

Overview

These LED bollard stand up to 42" tall and have selectable CCT and wattage for various applications. Switches at the base of the light head allow for wattage and CCT selection. The design directs the 360° beam downward, increasing pedestrian visibility on sidewalks and pathways. They have die-cast aluminum housings, a corrosion-resistant black powder coat finish, and clear polycarbonate lenses. Each fixture is IP65 waterproof and IK10-rated for impact resistance to withstand outdoor conditions. Use the BLRB installation kit for new pour installations (sold separately).

Features

- Modern post-top light-head design
- Corrosion- and impact-resistant construction
- Selectable Wattage and CCT
- 360° beam angle increases visibility for pedestrians

Product Details

- Die-cast aluminum housing
- Corrosion-resistant, bronze powder coat finish
- IP65 waterproof, suitable for wet locations
- IK10-rated for impact resistance
- 0-10V Dimmable
- 120-277 VAC

Warranty

- 5-year warranty

Certifications and Compliances

- DLC 5.1 Premium listed (BLBW3-SW3B24S-42)
- Certified by UL - UL 1598 (IFAM)



Applications

- Building Entryways
- Educational Facilities
- Parks
- Pedestrian Safety
- Residential Complexes
- Walkways

Optional Accessories

- Anchor mounting kit - BLRB-BKT
- Glare shield - BLBW-180S



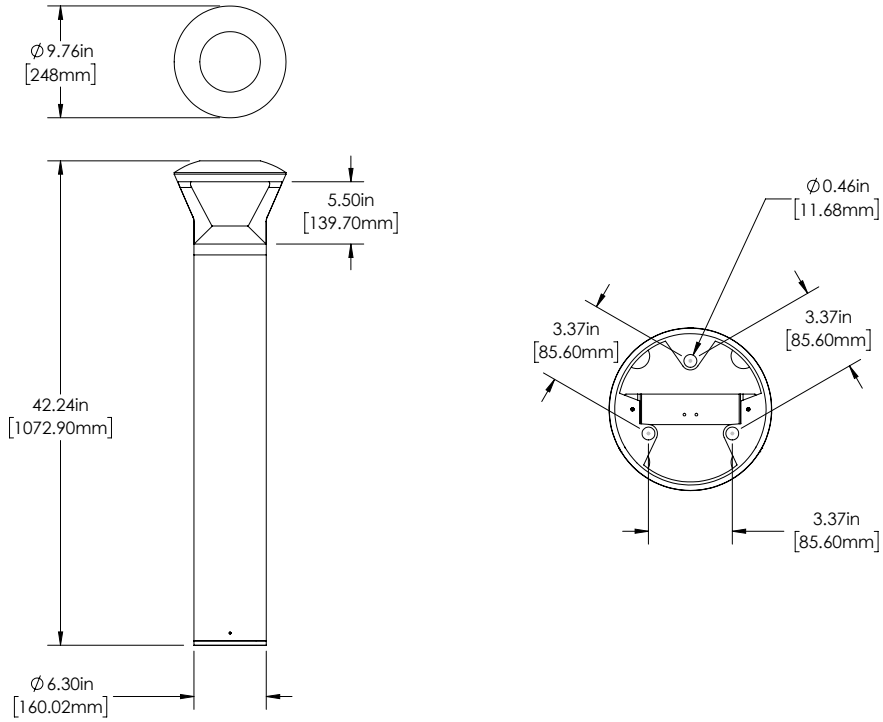
¹Contact customer service if interested in other options.

BLBW Series

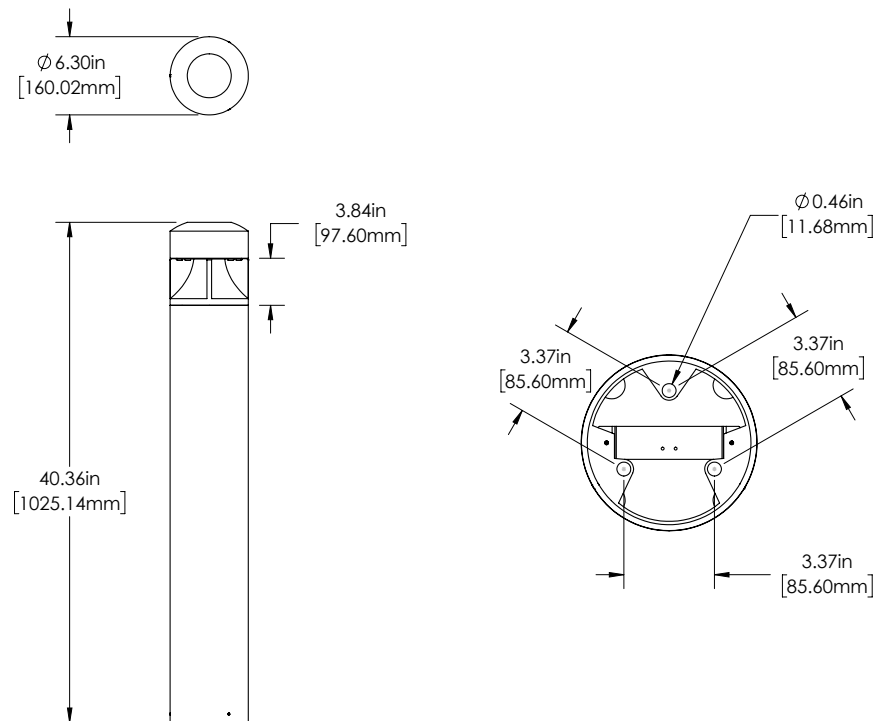
Integrated LED Bollard Specifications

Dimensional Drawings

BLBW3-SW3B24S-42



BLBW6-SW3B24S-42



BLBW Series

Integrated LED Bollard Specifications

Specifications

Model		BLBW3-SW3B24S-42	BLBW6-SW3B24S-42
Head Type		G3	G6
Lumens		1,750/2,300/3,000 lm	1,120/1,520/1,920 lm
Beam Angle	360° x	150°	120°
Wattage		Selectable (14 W, 19 W, 24 W)	
Operating Voltage		120-277 VAC	
Current Draw	120 VAC	120/160/200 mA	
	277 VAC	51/69/87 mA	
Power Factor		≥0.9	
Color Temperature		Selectable (3000K, 4000K, 5000K)	
CRI		70+	
Dimming		0-10 V	
Surge Protection		4 kV	
IP Rating		IP65	
Environmental Rating		Suitable for Wet Locations, Waterproof	
Rated Lifetime (L70)		50,000 hours	
Ambient Operating Temperature		-40°-113° F (-40°-45° C)	

