

**LCGP2 Series**

LED Parking Garage / Canopy Light Specifications

Project \_\_\_\_\_ Date \_\_\_\_\_

Type \_\_\_\_\_



LCGP2-SW3B-SP75-S



**Overview**

The LED parking garage canopy light features a durable, slim design. The fixture can be easily surface mounted with the included hardware or pendant mounted using the 3/4" NPT conduit entry point. The IP65 waterproof bronze aluminum housing and polycarbonate lens withstand outdoor conditions. It is ideal for parking garages, gas stations, and outdoor commercial applications.

**Features**

- Slim design for low-ceiling installations
- Replaces traditional metal-halide fixtures
- Surface mount with included hardware
- Pendant mount with 3/4" NPT conduit entry points

**Product Details**

- Die-cast aluminum housing (RAL 8019 Bronze)
- Four conduit entry points - three sides, one top
- Surface mount hardware included
- IP65 waterproof
- 120-277 VAC

**Warranty**

- 5-year warranty

**Available Models<sup>1</sup>**

- LCGP2-50K-50W
- LCGP2-50K-75W

**Part Number Breakdown**

Example: LCGP2-50K-75W

Series	Color Temperature	Wattage
<b>LCGP2</b> [LED Canopy Garage Parking Light, V2]	<b>50K</b> [5000K]	<b>50W</b> [50 W]
		<b>75W</b> [75 W]

**Certifications and Compliances**

- Certified by UL - UL 1598 (IFAM)
- DLC 5.1 Premium listed



**Applications**

- Awnings
- Canopy Lights
- Covered Walkway
- Garages
- Gas Stations
- Low Bays
- Parking Garages
- Security Lighting
- Stairways
- Storefronts
- Vestibules
- Warehouses
- Workshops

**Optional Accessory**

- Merrytek Microwave Occupancy Sensor (MC054V RC2 D-x)

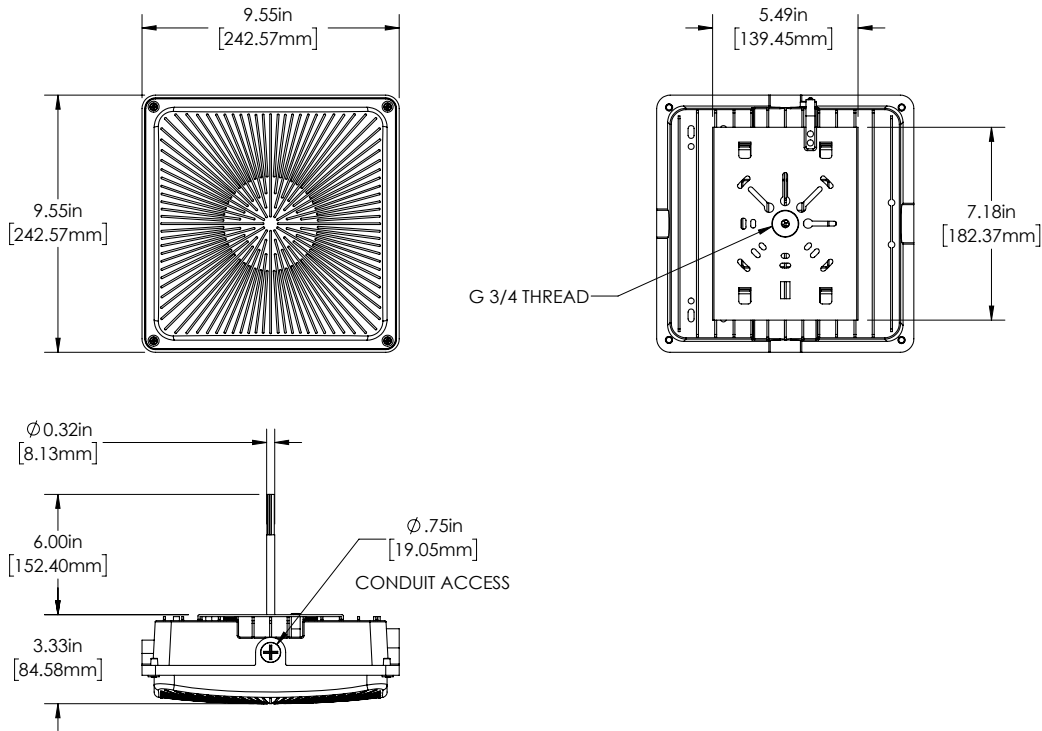


<sup>1</sup>Contact customer service if interested in other options.

# LCGP2 Series

LED Parking Garage / Canopy Light Specifications

## Dimensional Drawing



## Specifications

Model		LCGP2-50K-50W	LCGP2-50K-75W
Lumens		6,500 lm	9,750 lm
Wattage		50 W	75 W
Current Draw	120 VAC	420 mA	630 mA
	277 VAC	180 mA	270 mA
Operating Voltage		120-277 VAC	
Efficacy		130 lm/W	
Color Temperature		5000K	
Beam Angle		160°	
CRI		70+	
Dimmer Type		0-10 V	
IP Rating		IP65	
Surge Protection		4 kV	
Rated Life (L70)		55,000 hours	
Ambient Operating Temperature		-40-50 °C (-40-122 °F)	
Product Weight		4.1 lb (1.86 kg)	4.2 lb (1.91 kg)

