

BLRB and BLSB Series

Non-Louvered Integrated LED Bollard Specifications

Project _____

Date _____ Type _____



BLRB-xK22W-742



BLSB-xK22W-742



Description

BLRB/BLSB series round/square LED bollards bring added safety and pleasing aesthetics to commercial locations such as entryways, pathways, and perimeters. Diffused cone reflector projects downward light for ideal spacing, reduced pedestrian glare, and dark sky friendly uplight. Architectural-grade materials include diecast aluminum housing, powder coated to withstand outdoor conditions. Sealed polycarbonate lens prevents condensation and fogging. With better efficacy and reliability than traditional metal halides, the integrated LEDs eliminate the hassle of replacing bulbs and ballasts in older bollards.

Mechanical

- 42"x6.3" round/square form factors with extruded aluminum housing
- Architectural bronze (RAL 8019) powder coated finish provides superior resistance to corrosion and weathering
- Housing attaches to cast aluminum base plate and top hat assembly
- Tamper-proof concealed stainless steel fasteners
- Sealed polycarbonate lens to prevent condensation
- Installation kit sold separately for each form factor
- IK10 impact resistance

Warranty

Five (5) Year Warranty

Available Models

Round Style

- BLRB-30K22W-742
- BLRB-40K22W-742
- BLRB-50K22W-742
- BLRB-SW3B22S-742

Square Style

- BLSB-30K22W-742
- BLSB-40K22W-742
- BLSB-50K22W-742
- BLSB-SW3B22S-742

Part Number Breakdown

Example: BLRB-30K22W-742

Family	Design	Color Temperature	Wattage	Size
BL	RB [round] or SB [square]	30K [3000K] 40K [4000K] or 50K [5000K]	22W [22 W]	742 [6.3 in. diameter, 42 in. tall]
		SW3B [selectable]	22S [selectable]	

Electrical

- 120-277 VAC input
- 10 kV surge protection
- ≥0.9 power factor
- Wiring connects using included weatherproof terminal block
- 50,000 hour rated (L70) LED lifetime

Photometrics

- UV-resistant polycarbonate lens and frosted internal cone reflector provide optimal light transmission and environmental protection
- 360° x 22.5° beam angle
- Up to 130 lm/W
- Available in 3000K, 4000K, 5000K, or selectable CCT
- 80+ CRI

Applications

These easily replace existing metal-halide, high-pressure sodium, and fluorescent bollards and are also great for new construction using the installation kit. They are great for building entryways and perimeters, walking paths, pedestrian plazas and parks, as well as any general path lighting in municipal, residential, and commercial locations.

Installation Kit (sold separately)

- BLRB-BKT (for BLRB models)
- BLSB-BKT (for BLSB models)



T 866.811.5550

F 314.972.6202

email: commercial-sales@superbrightleds.com

www.superbrightleds.com/cat/industrial-led-lighting/

Rev V2 Date: 10/18/2021

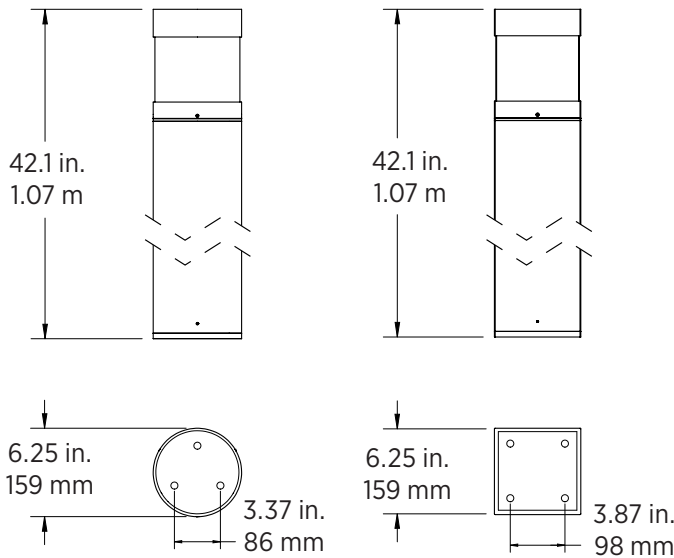
Specifications are subject to change without notice.

Printed in the U.S.A.

BLRB and BLSB Series

Non-Louvered Integrated LED Bollard Specifications

Dimensional Drawing



Certifications and Compliances

These bollards are Certified by UL in compliance with UL 1598. They are also IP65 rated for installation in wet environments.



Specifications

Model	BLRB			BLSB		
Operating Voltage	120-277 VAC					
Power Consumption	22 W	selectable (12 W / 16 W / 22 W)		22 W	selectable (12 W / 16 W / 22 W)	
Current Draw	120 VAC	183 mA	100 / 133 / 183 mA	183 mA	100 / 133 / 183 mA	
	277 VAC	79 mA	43 / 58 / 79 mA	79 mA	43 / 58 / 79 mA	
Brightness	2,530	2,640	1,560 / 2,080 / 2,860	2,530	2,640	1,560 / 2,080 / 2,860
Color Temperature	3000K	4000K or 5000K	selectable (3000K / 4000K / 5000K)	3000K	4000K or 5000K	selectable (3000K / 4000K / 5000K)
Efficacy	115 lm/W	120 lm/W	130 lm/W	115 lm/W	120 lm/W	130 lm/W
CRI	80+					
Dimming	0-10 V					
Beam Angle	symmetrical (360° H x 22.5° V)					
BUG Rating	B1-U3-G2					
Product Weight	11.4 lb (5.2 kg)	11.5 lb (5.2 kg)		15.4 lb (7 kg)	15.5 lb (7 kg)	
Environmental Rating	IP65					
Ambient Operating Temperature	-40°-122° F (-40°-50° C)					
Rated Lifetime (L70)	50,000 hours					

Photometric Diagrams

