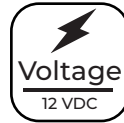


## WLFA2 Series

### Waterproof Aluminum LED Light Bar Fixture Specifications



#### Available Models<sup>1</sup>

- WLFA2-WW15SMD
- WLFA2-NW15SMD
- WLFA2-CW15SMD

#### Part Number Breakdown

Example: WLFA2-WW15SMD

Series	CCT	LEDs Per Bar	LED Type
<b>WLFA2</b> [Waterproof Light Fixture, Aluminum V2]	<b>WW</b> [Warm White]	<b>15</b> [15]	<b>SMD</b> [3528 SMD]
	<b>NW</b> [Natural White]		
	<b>CW</b> [Cool White]		

#### Overview

This Linear LED light bar fixture is a highly versatile solution for various applications such as cabinet lighting, desk lighting, bookshelf lighting, showcase lighting, truck bed lighting, and RV ceiling lights. The 20-inch aluminum LED light bar emits up to 500 lumens of cool or natural white light. With an IP67 rating, the light bar can be installed in areas with moisture or water. The low-voltage light fixture operates on 12 VDC and has both male and female DC barrel connectors. Quickly join up to 9 fixtures together using the included barrel connectors. The included mounting clip rotates 120 degrees on the pivotal axis to aim the light. The set contains two mounting clips, four screws, and four wall anchors.

#### Features

- Durable waterproof construction
- 12 VDC low voltage operation
- Max run of 9 fixtures
- IP67 waterproof

#### Warranty

- 5-year warranty

#### Optional Accessories

- Mounting Clips with Screws (WLFA2-AIMC)



- Waterproof power wires (WLFA2-PWS)



#### Kit Contents

- 1x linear LED light bar fixture
- 2x adjustable mounting clips
- 4x screws
- 4x wall anchors

#### Applications

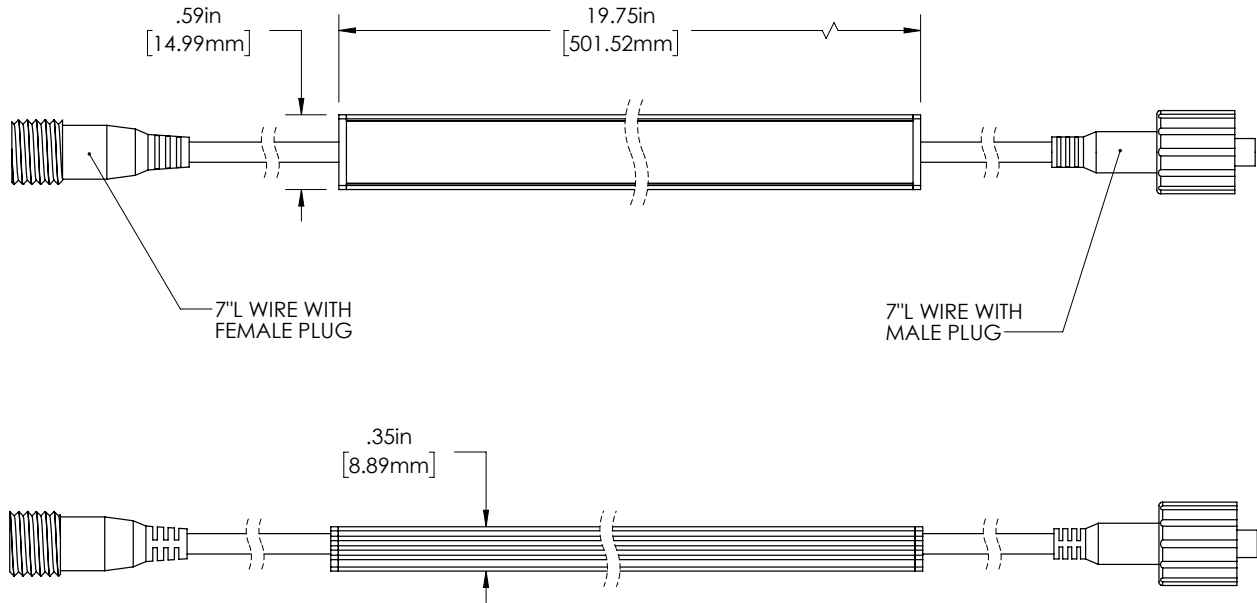
- Bookshelves
- Cabinets
- Cove Lighting
- Off Grid Lighting
- Showcases
- Trade Shows
- Under-Cabinets



## WLFA2 Series

### Waterproof Aluminum LED Light Bar Fixture Specifications

#### Dimensional Drawings



#### Specifications

Model WLFA2-	WW15SMD	NW15SMD	CW15SMD
CCT	4000K	5700K	10000K
Wattage	5.5 watts		
Lumens	500 lumens		
Efficacy	100 lm/W		
Operating Voltage	12 VDC		
Current Draw	440 mA		
CRI	80+		
Beam Angle	120°		
LED Quantity	15		
Dimmer Type	PWM		
IP Rating	IP67		
Input Connection	5.5mm x 2.1mm DC Barrel		
Length	20in.		
Strip Width	15mm (0.59in.)		
Wire Length	7in. (17.8cm)		
Max Run	9		
LED Lifetime	50000 hours		

