

**Important: Read all instructions prior to installation. SAVE THESE INSTRUCTIONS.**

## LED Emergency Light



EL2-SW

### Warning

Read and follow all safety instructions. When using electrical equipment, basic safety precautions should always be followed including the following:

- Disconnect power before performing work on electrical equipment.
- For indoor use only.
- Do not let the power cords touch hot surfaces.
- Do not install in hazardous locations or near gas or electric heaters.
- The use of auxiliary equipment not recommended by manufacturer, may cause and will void the unit's warranty.
- Do not use this equipment for other than its intended purpose.
- Servicing of this equipment should be performed by a qualified service technician
- All electrical connections should be made in accordance with National and Regional electrical code.
- Equipment should be mounted in locations and heights where it will not readily be subjected to tampering by unauthorized personnel.
- Allow battery to charge for 24 hours before first use.

### Important Safeguards

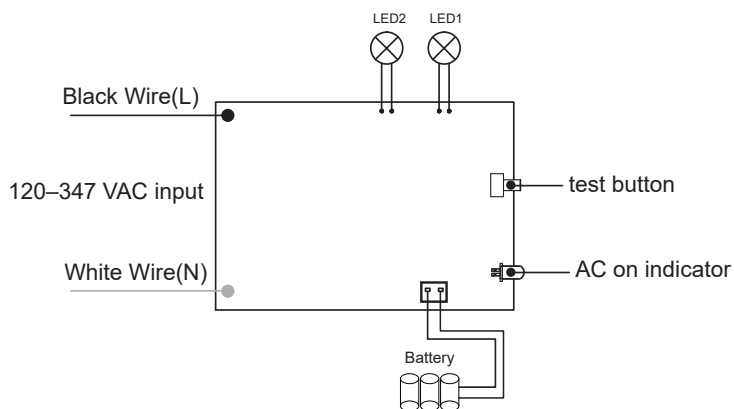
Battery in this unit may not be fully charged at the time electrical connection is made. Let the battery charge for at least 24 hours for normal operation. To check charge, press the "test" button.

### Specifications

EL2-SW	
Operating Temperature	32°–104° F (0°–40° C)
Fixture Weight	1.7 lb (750 g)
Battery Type	Ni-Cd (3.6 V/1.2 Ah)
Maximum Mounting Height	10.4 ft (3.1 m)

Check product label for specific electrical specifications related to installation.  
Improper installation will void warranty.

### Wiring Diagram



### Testing

#### Manual Test

Test button can be held to illuminate lights for manual testing purposes.

<sup>1</sup>Limited 2-year warranty on battery.

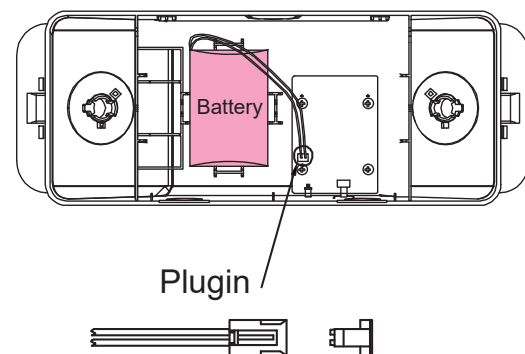
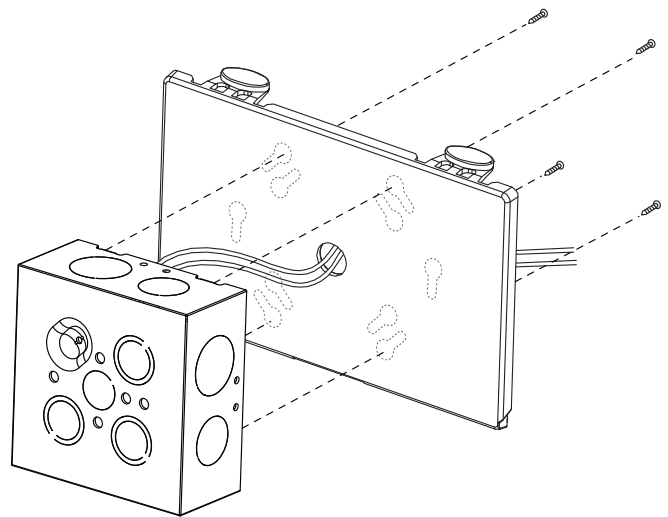
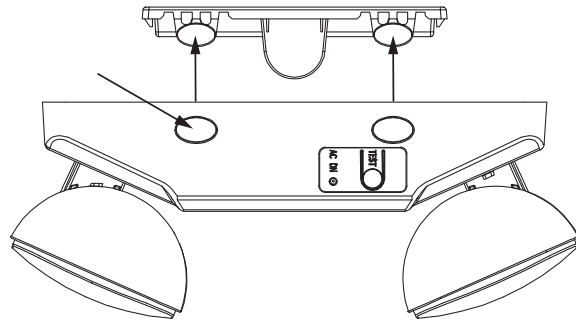


*Important: Read all instructions prior to installation.*

## LED Emergency Light

### Installation Instructions

1. Carefully remove mounting plate by using the release buttons.
2. Remove appropriate knockouts for wiring and mounting from rear panel.
3. Run wiring through mounting plate and connect wiring to junction box. (refer to wiring diagram)
4. Securely attach mounting plate to surface or junction box with hardware.
5. Connect battery to board.
6. Reattach light assembly to mounting panel.
7. Apply power and allow battery pack to charge for at least 24 hours before initial use/test.
8. After 24-hour period, press test button to make certain lights are functioning as intended.



<sup>1</sup>Limited 2-year warranty on battery.

