



#### Description

VTS4D-K1 LED vapor tight lights replace less efficient fluorescent vapor tight fixtures. Traditional looking narrow design is constructed of polycarbonate making it impact and dust resistant, and has a water resistant IP66 rating. Frosted lens provides smooth and even light distribution. Improve energy savings and ease of operation with an optional microwave motion sensor. Stainless steel surface mounting brackets are included. The fixtures are linkable and include water-resistant fittings for each end.

#### Mechanical

- Impact-resistant polycarbonate housing and lens
- -40°-122° F (-40°-50° C) operating temperature
- IP66 rated for wet locations

#### Electrical

- 100-277 VAC input voltage range
- 0-10 V dimmable
- 50,000 hour (L70) rated lifespan

#### Photometrics

- 130 lm/W efficacy
- Available in 4000K or 5000K at 80+ CRI
- 120° beam angle

#### Warranty

Five (5) year warranty

#### Application

Easily replaces less efficient fluorescent fixtures such as those found in kitchens, garages, and other industrial and commercial areas where a linear vapor tight lighting solution is required.

#### Available Models<sup>1</sup>

- VTS4D-K1-40K40F
- VTS4D-K1-50K40F
- VTS4D-K1-40K60F
- VTS4D-K1-50K60F

#### Part Number Breakdown

Example: VTS4D-K1-40K60F

Family	Dimming	CCT	Wattage	Lens Type
VTS4D	K1 [0-10 V]	40K [4000K] or 50K [5000K]	40 [40 W] or 60 [60 W]	F [frosted]

#### Optional Accessories

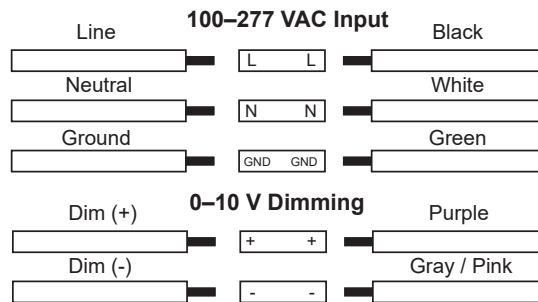
Motion Sensor (mounts internally with included hardware)

- BRI810-B-D

Remote Control (for Motion Sensor)

- RC-100

#### Wiring Diagram

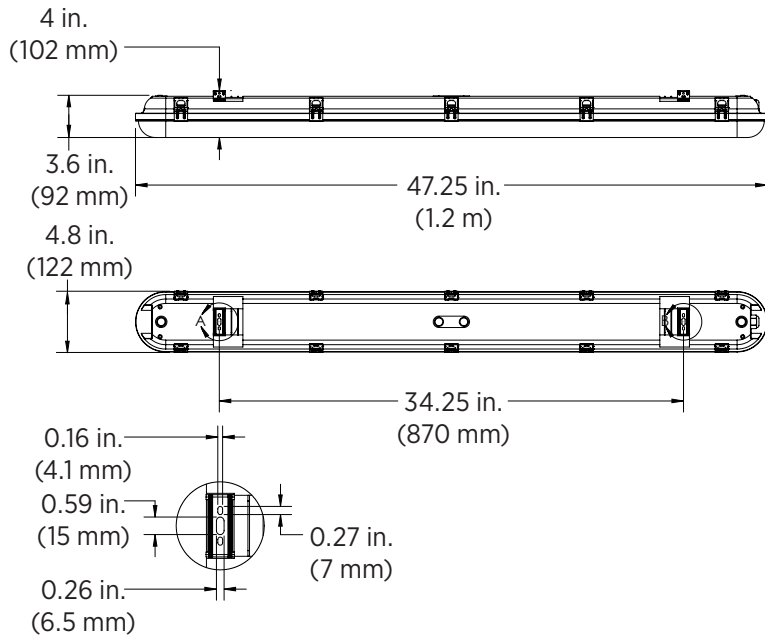


<sup>1</sup>Contact customer service if interested in options other than those listed.

# VTS4D-K1 Series

Vapor Tight LED Linear Light Specifications

## Dimensional Drawing



## Specifications

Model	VTS4D-K1-x40F	VTS4D-K1-x60F
Intensity	5,200 lm	7,800 lm
Operating Voltage	100-277 VAC	
Power Consumption	40 W	60 W
Current Draw	333 mA @ 120 VAC 144 mA @ 277 VAC	500 mA @ 120 VAC 217 mA @ 277 VAC
Efficacy	130 lm/W	
Color Temperature	4000K or 5000K (as ordered)	
Beam Angle	120°	
CRI	80+	
Dimming	0-10 V	
Power Factor	≥0.9	
IP Rating	IP66	
Ambient Operating Temperature	-40°-122° F (-40°-50° C)	
Rated Life (L70)	50,000 hours	

## Certifications and Compliances

These lights are Certified by UL in compliance with UL 1598 (IFAM).  
These are also DesignLights Consortium listed as DLC 5.1 Standard.

