



20W/40W

60W/75W/96W

100W



Available Models¹

12 VDC Output

- DVML-20W-U12V-T
- DVML-40W-U12V-T
- DVML-60W-U12V-T
- DVML-75W-U12V-T
- DVML-100W-U12V-T

24 VDC Output

- DVML-20W-U24V-T
- DVML-40W-U24V-T
- DVML-60W-U24V-T
- DVML-75W-U24V-T
- DVML-96W-U24V-T

Part Number Breakdown

Example: DVML-96W-U24V-T

Series	Output Wattage		Input Voltage	Output Voltage	Dimming
DVML [DiodeDrive, Constant Voltage, Metal, Nema 3R]	20W [20 W] 40W [40 W] 60W [60 W] 75W [75 W]	100W [100 W]	U [120 VAC]	12V [12 VDC]	T [TRIAC]
		96W [96 W]		24V [24 VDC]	

Overview

This DiodeDrive Dimmable LED Constant Voltage Power Supply has a compact magnetic transformer core for installation in tight spaces. The integrated auto-reset input and output circuit breakers protect the LED load and the power supply. The metal NEMA 3R enclosure is suitable for indoor or outdoor use. Its built-in junction box has two 1/2-inch knockouts, and its removable panel allows easy pigtail wiring access. The optional 6-foot power cord has a 5-15P plug.

Features

- Weatherproof NEMA 3R housing with enclosed wiring compartment
- Integrated auto-reset circuit breakers guard the driver and load
- Compact, wall-mounted design
- Compatible with MLV dimmers

Product Details

- NEMA 3R enclosure is suitable for wet locations when installed vertically
- UL Class 2 Power Supply²
- TRIAC dimmable, compatible with many MLV dimmers
- 120 VAC input, 12V or 24V DC output

Warranty

- 5-year warranty

Certifications and Compliances

- ETL Listed - UL 8750



Optional Accessories

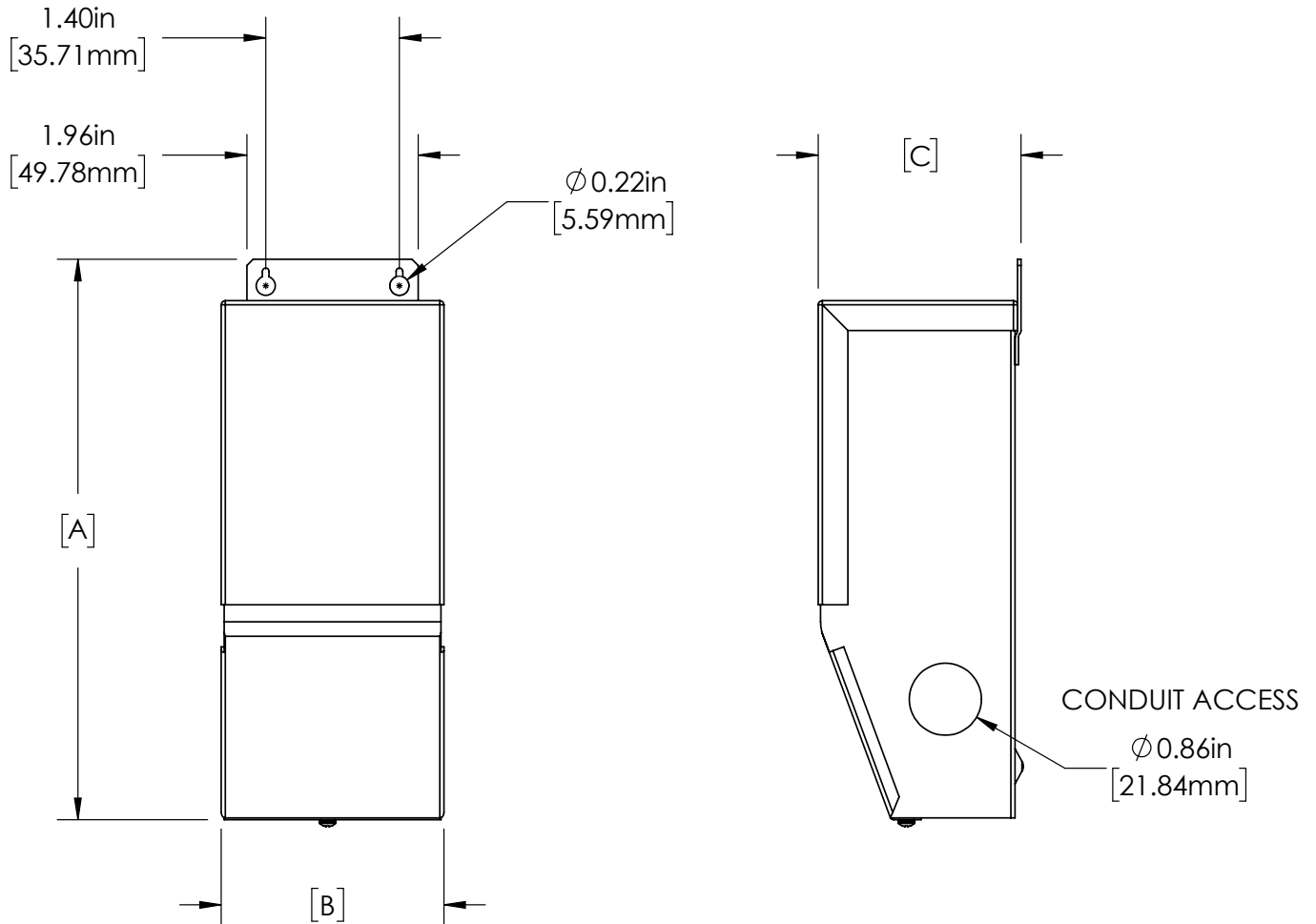
- 6 ft, 5-15P power cord (_POWERCORD)



DVML Series

LED Driver Specifications

Dimensional Drawings



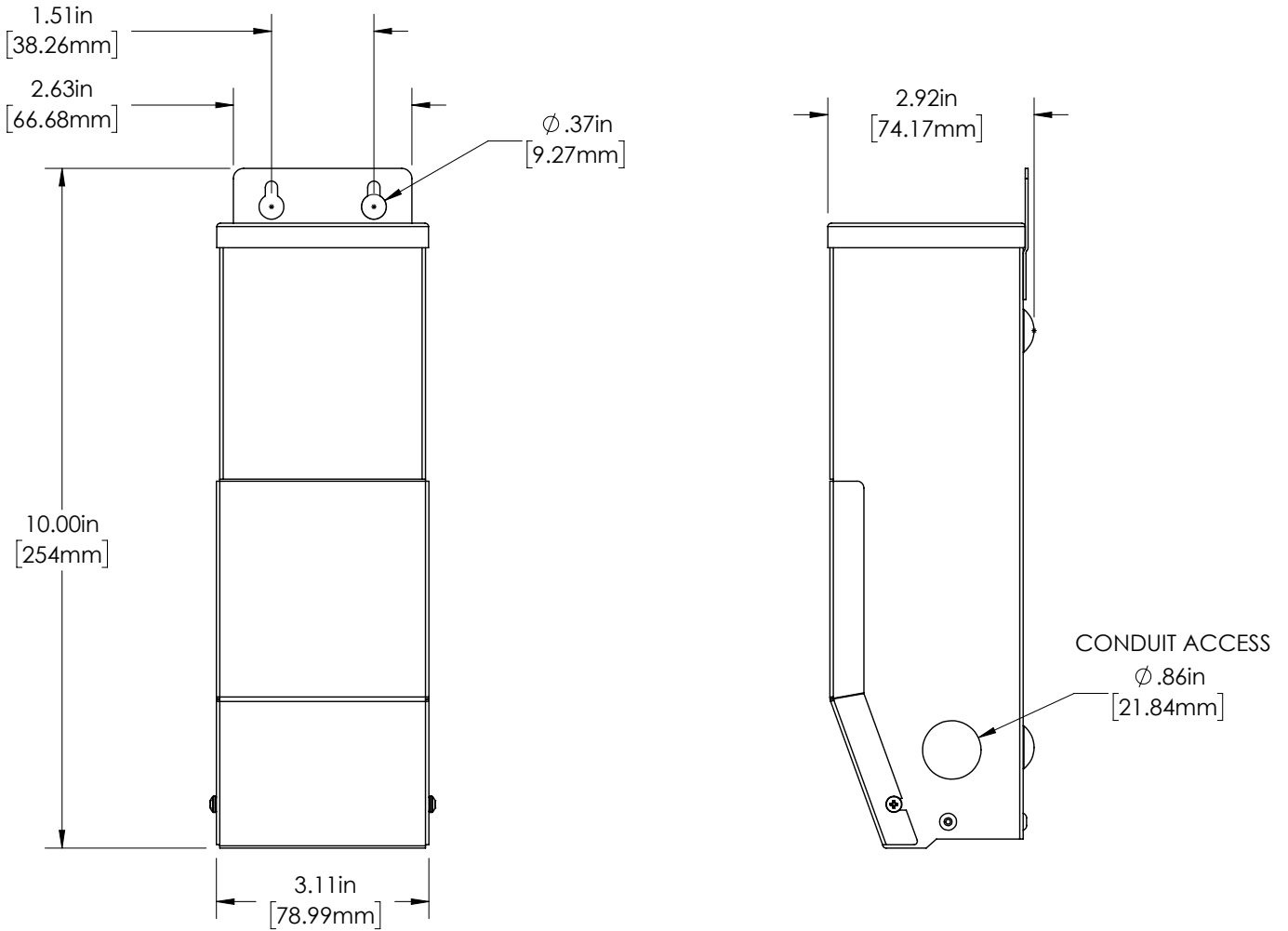
DVML-	20W-UxV-T	40W-UxV-T	60W-UxV-T	75W-UxV-T	96W-UxV-T
A	5.7 in. [145 mm]		6.8 in. [172 mm]		
B	2.4 in. [60.5 mm]		2.7 in. [68.1 mm]		
C	2.2 in. [54.9 mm]		2.5 in. [62.2 mm]		

DVML Series

LED Driver Specifications

Dimensional Drawings

DVML-100W-UxV-T





DVML Series

LED Driver Specifications

Series Specifications

Model DVML-	20W-UxV-T	40W-UxV-T	60W-UxV-T	75W-UxV-T	96W-UxV-T	100W-UxV-T
Input Voltage	120 VAC					
Dimming	MLV					
Power Factor	≥0.9					
Input Connection Type	Pigtail					
NEMA Rating	3R, Suitable for Wet Locations*					
Ambient Operating Temperature	-4°-158° F (-20°-70° C)					
Thermal Class	B 130°C (266°F)					
Weight	2.2 lb (1.0 kg)	2.2 lb (1.0 kg)	3.1 lb (1.4 kg)	3.1 lb (1.4 kg)	3.5 lb (1.6 kg)	4.9 lb (1.6 kg)
UL Standard	UL 8750 (FKSZ)					

12 VDC Output Models

Model DVML-	20W-U12V-T	40W-U12V-T	60W-U12V-T	75W-U12V-T	96W-U12V-T	100W-U12V-T	
Input Voltage	120 VAC						
Input Wattage (max)	23 W	46 W	70 W	88 W	117 W	144 W	
Input Current (max)	210 mA	430 mA	650 mA	810 mA	1.08 A	1.33 A	
Output Voltage	12 VDC						
Output Wattage	20 W	40 W	60 W	75 W	96 W	100 W	
Output Current (max)	1.67 A	3.3 A	5 A	6.25 A	8 A	8.4 A	
Input Wire Gauge	20 AWG	18 AWG	18 AWG	18 AWG	18 AWG	18 AWG	
Output Wire Gauge	18 AWG	18 AWG	18 AWG	16 AWG	14 AWG	14 AWG	
Circuit Breaker Current	Input	330 mA	670 mA	1 A	1.25 A	1.6 A	1.67 A
	Output	3.33 A	6.67 A	10 A	12.5 A	16 A	16.67 A

24 VDC Output Models

Model DVML-	20W-U24V-T	40W-U24V-T	60W-U24V-T	75W-U24V-T	96W-U24V-T	100W-U24V-T	
Input Voltage	120 VAC						
Input Wattage (max)	23 W	46 W	70 W	88 W	117 W	144 W	
Input Current (max)	210 mA	430 mA	650 mA	810 mA	1.08 A	1.33 A	
Output Voltage	24 VDC						
Output Wattage	20 W	40 W	60 W	75 W	96 W	100 W	
Output Current (max)	830 mA	1.67 A	2.5 A	3.13 A	4 A	4.2 A	
Input Wire Gauge	20 AWG	18 AWG	18 AWG	18 AWG	18 AWG	18 AWG	
Output Wire Gauge	18 AWG	18 AWG	18 AWG	18 AWG	16 AWG	16 AWG	
Circuit Breaker Current	Input	330 mA	670 mA	1 A	1.25 A	1.6 A	1.67 A
	Output	1.67 A	3.33 A	5 A	6.25 A	8 A	8.34 A

* When installed vertically

