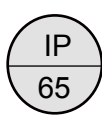
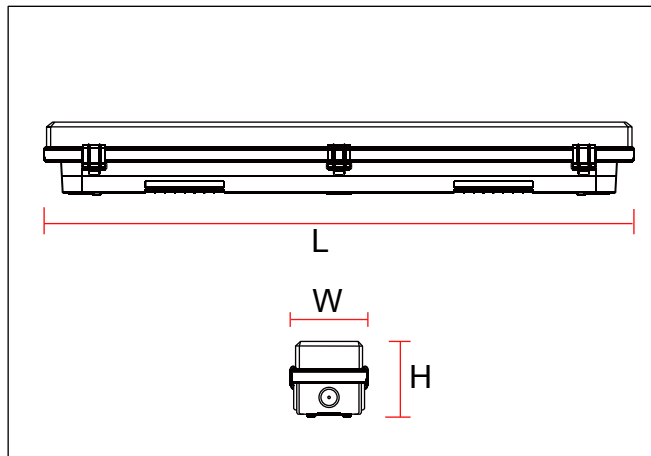


LED VAPOR TIGHT C2103



Description



Specification

Model No.	Power	Input Voltage	Input Current	L xWxH(mm)	Luminous Flux	Luminous Efficacy	CCT	Ra	PF	Warranty
C2103-252F	15W	AC120-277V	0.13A	600x110x88	1800LM	130lm/w	3000K 3500K 4000K 5000K	>80	>0.9	5Years
	20W		0.17A		2400LM					
	25W		0.21A		3000LM					
C2103-504F C2103-804F	30W		0.25A	1200x110x88	3600LM					
	40W		0.33A		4800LM					
	50W		0.42A		6000LM					
	60W		0.5A		7200LM					
	70W		0.58A		8400LM					
	80W		0.67A		9600LM					
C2103-1008F	80W		0.67A	2385x110x88	9600LM					
	90W		0.75A		10800LM					
	100W		0.83A		12000LM					

Packing/Weight

Model No.	Outer box L x W x H(mm)	Qty/Ctn (pcs)	N.W (KG)	G.W (KG)
C2103-252F	680x 305x 250	6	7.8	8.5
C2103-504F C2103-804F	1280 x 305 x 250	6	13	14.6
C2103-1008F	2470 x 210 x 250	4	16	18

Construction

- *High-diffusion light-milky PC diffuser
- *Grey PC plastic housing with UV rating
- *0.5mm steel sheet gear tray with white powder coated

Options

- *Available for dimmable version
- *Available for emergency version
- *Available for installing with sensor

Electrical

- *All electrical components are UL approved, Input Voltage from 120-277V
- *LED Driver: UL/CUL 120-277V 0-10V LED Driver
- *5 years warranty

Product Description

- * ETL listed; With LM79 & LM80;
- * High luminous efficacy 120 lm/w;
- * 50,000 hours warranty 0-10V UL/CUL listed LED Driver, Flicking free.
- * driver efficiency > 87%; THD < 20%;
- * Installation: Recessed or Suspended
- * Suitable for dry/damp location

Labels

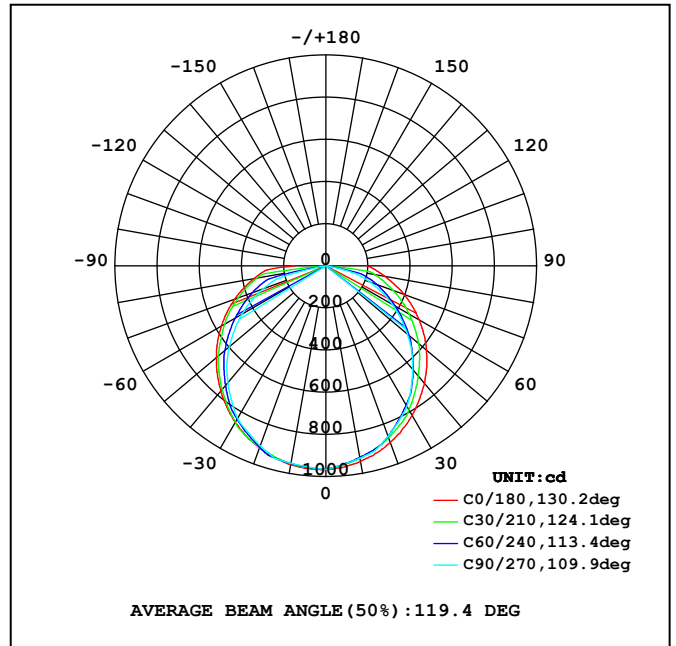
- *ETL Listed, approved for dry/damp location unless otherwise noted

LED VAPOR TIGHT

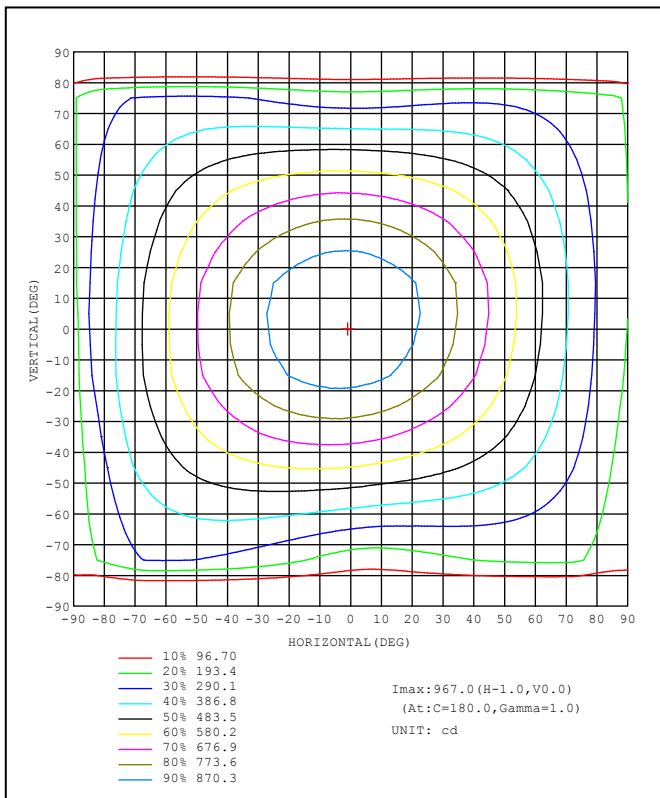
C2103



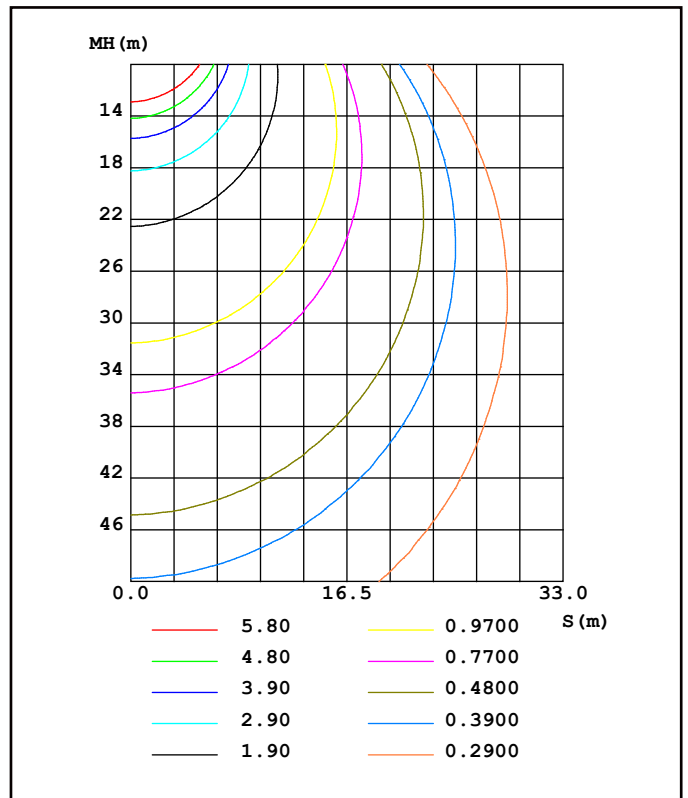
LUMINOUS INTENSITY DISTRIBUTION DIAGRAM



ISOCANDELA DIAGRAM

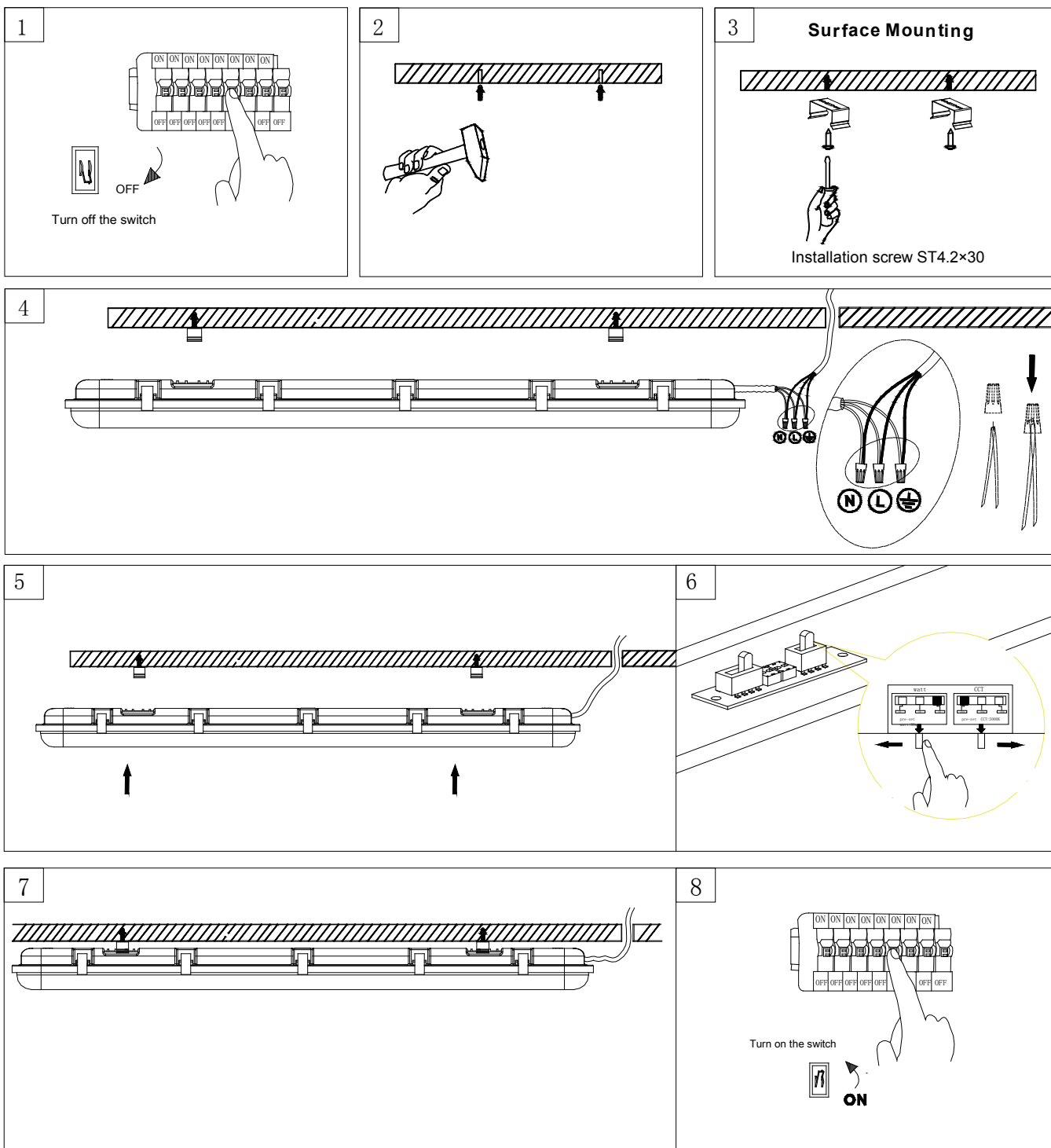


C0 PLANE ISOLUX DIAGRAM (UNIT: lx)



Installation Manual

C2103



Safety Notice



1. Please check and ensure the products have not in damage before use, if there any breakage please do not install and use.
2. Please keep the kids far away from the product and don't let them touch any live parts.
3. Please keep packing materials far away from kids when playing, to prevent kids careless putting packing material on their head or directly inhaling, swallowing, causing suffocation.
4. The installation of the product must be certified by professional electrician.
5. Forbid covering anything on product.
6. To ensure that the power cord has enough length and do not be subjected to tension or tangential force, avoid too much tension and power cord ties when mounting connection of light fittings.
7. To protect the eyes from LED light damage please avoid long time looking straight into the LED light-emitting surface.
8. Please be sure power is off before clean light fitting, use dry cloth to clean.