

**Important: Read all instructions prior to installation.**

## Architectural Linear Light



UDLA-SW3C50-WH

### Specifications

Environmental Specifications	
Operating Temperature	(-4 to 113°F)
IP Rating	IP44

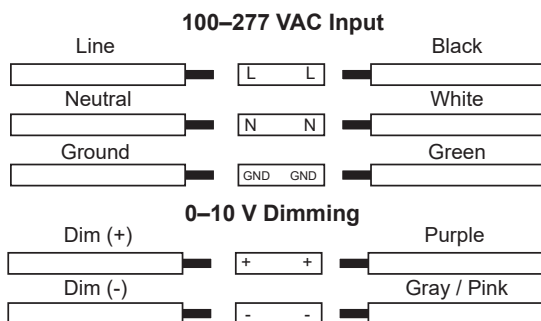
Check product label for specific electrical specifications related to installation.  
Improper installation will void warranty.

### CCT and Wattage Selection

Wattage is selected by a switch located directly on the driver. CCT can be selected via the external switch on the top of the light.

Note: CCT selection switch on driver is bypassed and does not function.

### Wiring Diagram

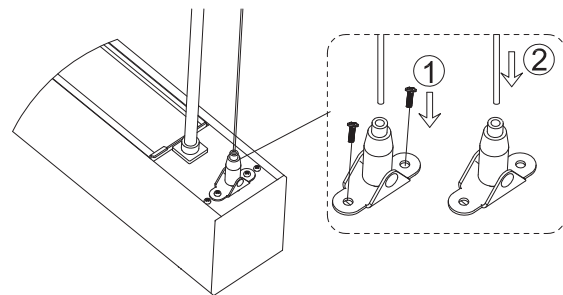
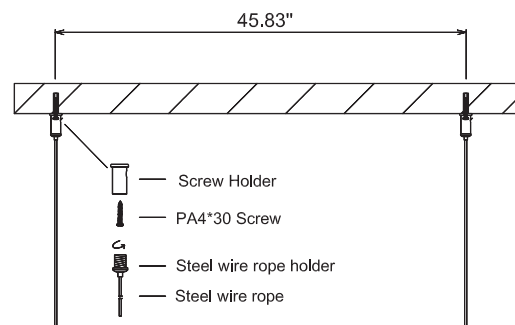


### Safety and Notes

- Product should be installed and serviced by a certified electrician in accordance with applicable national, state, and local building and electrical codes.
- To reduce the risk of electric shock, ensure that the main power source and circuit breakers are switched off before performing any installation or wiring procedures.
- Avoid looking directly into lamp when illuminated.
- Ensure all mounts are securely attached and will support the weight of the fixture. Failure to properly support fixture may result in damage or injury, for which the manufacturer does not assume responsibility.

### Installation (standard)

1. Measure and mount anchor screws so that cables are at the correct distance apart.
2. Feed cables into cable grip locks mounted on fixture while pressing down the release on the lock.
3. Adjust light to desired height.
4. With supply power off, connect wiring.

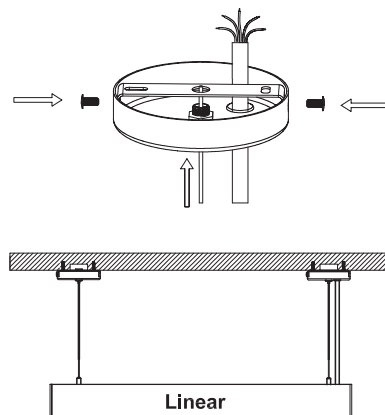
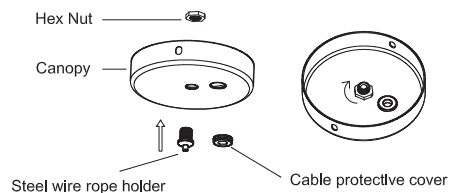
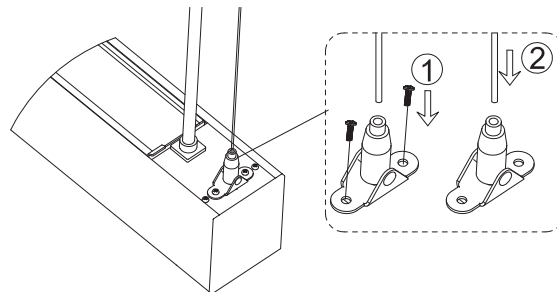
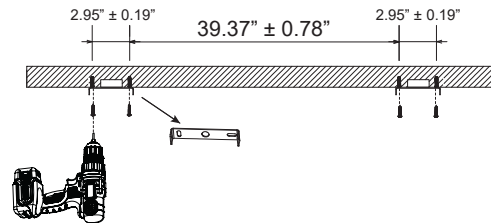


*Important: Read all instructions prior to installation.*

## Architectural Linear Light

### Installation (optional canopy suspension kit)

1. Measure and mount canopy mounting brackets so that they are the correct distance apart.
2. Feed cables into cable grip locks mounted on fixture while pressing down the release on the lock.
3. Attach cables to canopies.
4. With supply power off and the fixture supported, run wire through canopy and connect wiring.
5. Attach canopies to canopy mounting brackets and adjust light to desired height.



**Important: Read all instructions prior to installation.**

## Architectural Linear Light

### Installation (optional linking bracket(s) required)

1. With supply power off follow normal mounting procedure (standard or optional canopy) while making additional mounting provisions for each additional light.
2. For each light, remove the end panel and slide the accessory linking bracket into place to join the lights together, making sure to connect the wiring correctly with internal quick connects. Connect up to 20 fixtures, ensuring the circuit has an adequate breaker.
3. Once complete, hang fixtures securely. Two or more people are recommend for installation of longer runs.

