

**Important: Read all instructions prior to installation.**

## Selectable CCT Corn Lights



CLCCT-SW3B120-SBC-EX39

### Specifications

Model	CLCCT Series
IP Rating	IP64
Operating Temperature	-40°–122° F (-40°–50° C)

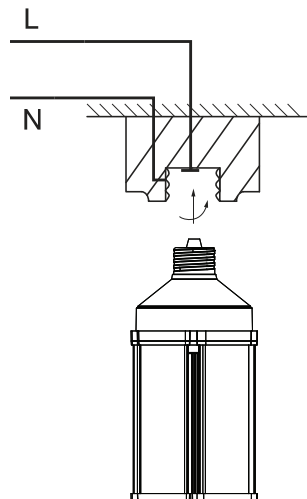
Check product label for specific electrical specifications related to installation.  
Improper installation will void warranty.

### Installation

1. Remove power from supply circuit.
2. Remove existing bulb if needed.
3. Bypass existing ballast (as well as any ignitor or capacitor) if present, making sure to properly cap and loose wires.

Note: Place retrofit label on fixture when ballast is bypassed during installation.

4. Install bulb, including safety cable on models that have one included.
5. Restore supply power.



### Safety and Notes

- This product should be installed and serviced in accordance with applicable national, state, and local building and electrical codes.
- Remove power from circuit prior to installation. To reduce the risk of electric shock, ensure that the main power source and circuit breakers are switched off before performing any installation or wiring procedures.
- Ballast bypass required. Bypass ballast, capacitor, and ignitor prior to corn light bulb installation.
- Do not touch corn light bulb when in use or stare directly at corn light bulb when in use.
- Be sure fixture socket can support weight of LED corn light bulb
- Some EX39 base versions include a safety cable that should be attached during installation.

### CCT Select

Remove lid using a flat head screwdriver to access the CCT and wattage selection switches.

