

Strip CCT Options

- STN-E30K80-A10A-12B5M-24V-4-UC
- STN-E40K80-A10A-12B5M-24V-4-UC
- STN-E50K80-A10A-12B5M-24V-4-UC

SAMPLE PART NUMBER BREAKDOWN

STN-E30K80-A10A-12B5M-24V-4-UC

SERIES / TYPE / COLOR / CRI				LED TYPE / SEGMENT		IP RATING	SIZE / DENSITY / VOLTAGE				Kit
STN	E	30K	80	A	10	A	12	B	5M	24V	4-UC
Series	Strip Type	Color	CRI	LED Type	LED/Segment	IP Rating	Strip Width	Density	Length	Voltage	Kit Type
STN: Non-weatherproof	E: RGB+W	30K: 3000K 40K: 4000K 50K: 5000K	80: 80-84	A: 5050	10: 10 LED/seg	A: IP20	12: 12 mm	B: 60/LEDs/m	5M: 5 m	24V: 24 VDC	UC: Under Cabinet V4

Description

The RGBW color-changing LED strip kit was designed as an all-in-one DIY solution for easy installation and professional-grade lighting. Use solderless clamps to connect strip light segments quickly without wire stripping or splicing. Long-lasting 3M™ adhesives ensure easy mounting to virtually any surface. Use the Open-Lit smartphone app and Bluetooth Mesh controller to customize color modes, brightness, speed, and timer settings. Open-Lit available for iOS and Android devices.

Electrical

- 24 VDC input
- PWM dimmable

Photometrics

- 120° beam angle
- RGB+single color white output
- Available in 3000K, 4000K, or 5000K

Warranty

Five (5) year warranty

Applications

This strip kit is ideal for residential and commercial applications. Some common uses include decorative and accent lighting in restaurants and bars, cove lighting, shelf and display lighting, and under-cabinet lighting.

Certifications and Compliances

These strips are UL Listed in compliance with UL 2108 standards.



What's Inside:

- (5m) RGB+W LED Strip Light - 24V - 204 lm/ft
- (1) Bluetooth LED Controller - Smartphone Compatible
- (1) 60W 24 VDC Power Supply
- (1) Standard Barrel Connector to Screw Terminal Adapter
- (14) Solderless Clamp-On LED Strip Light to Pigtail Adapters
- (10ft) 22-Gauge Five-Conductor Power Wire
- (2) 3M™ Double-Sided Foam Pads



T 866.811.5550

F 314.972.6202

email: commercial-sales@superbrightleds.com

https://www.superbrightleds.com/cat/complete-led-strip-kits/

Rev. V1 Date: 4/8/2024

Specifications are subject to change without notice.

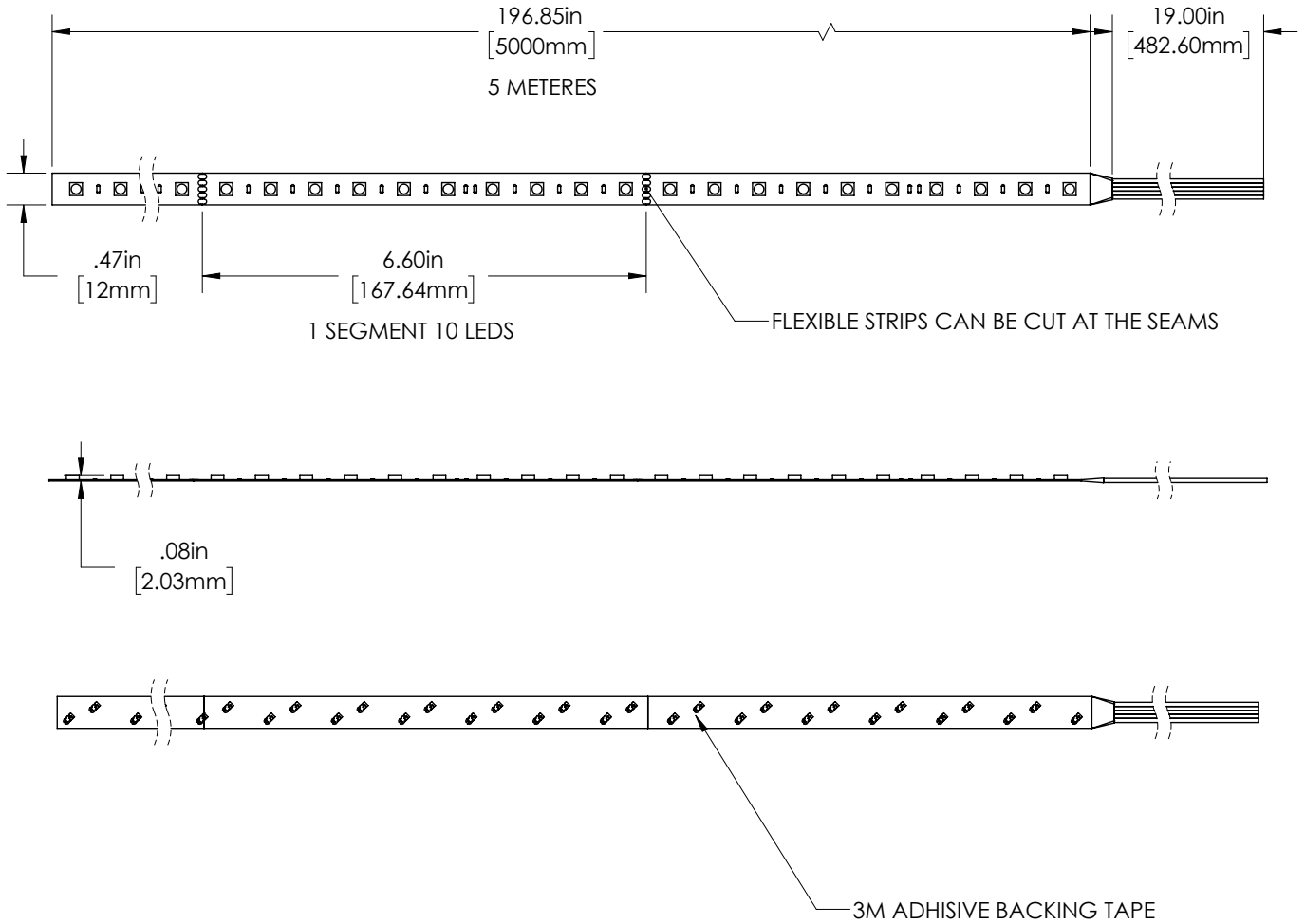
Printed in the U.S.A.

STN Series

RGBW Color-Changing LED Strip Light Kit Specifications

Dimensional Drawings

LED Strip

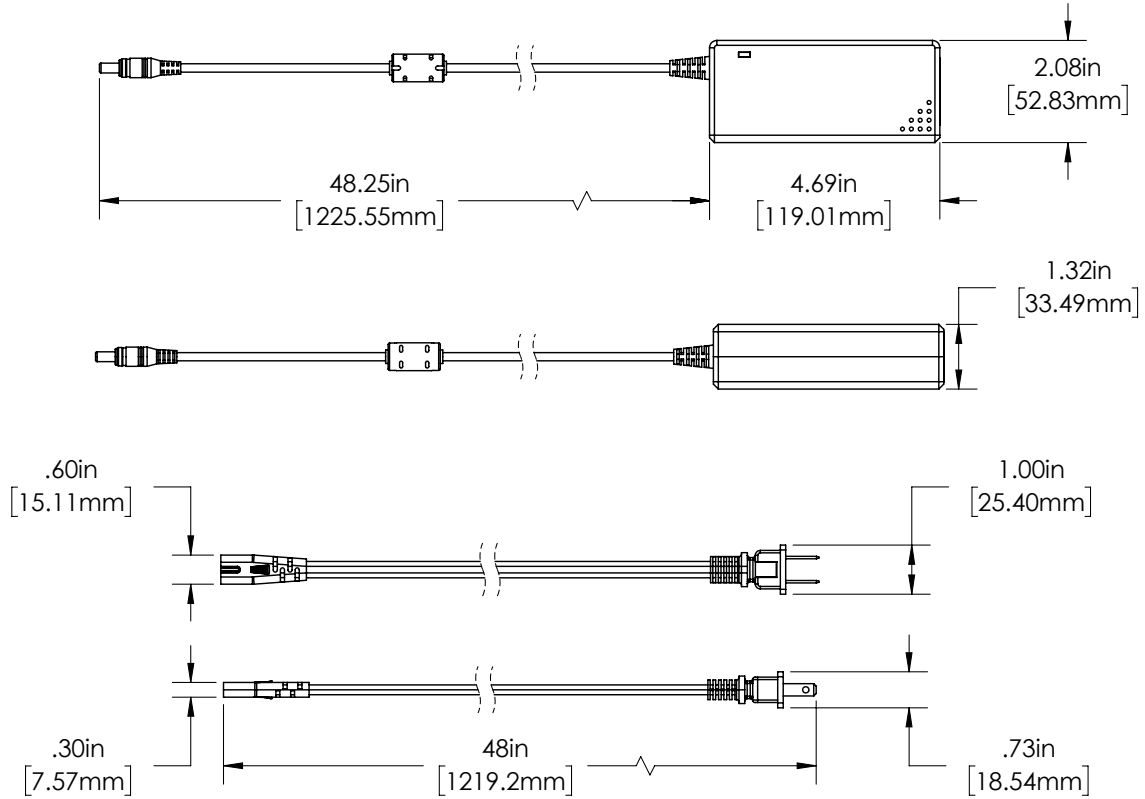


STN Series

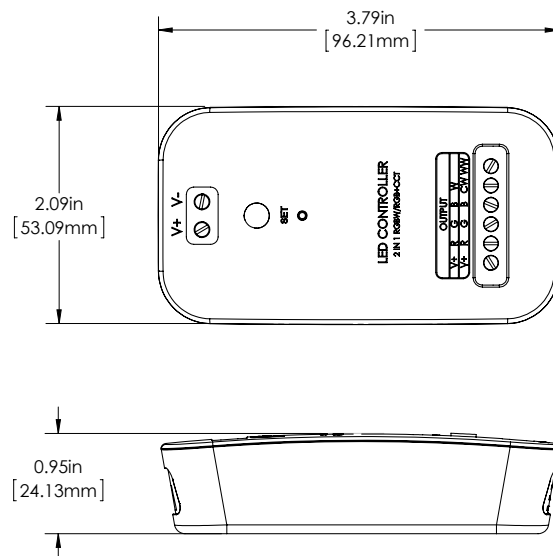
RGBW Color-Changing LED Strip Light Kit Specifications

Dimensional Drawings

Power Adapter



Bluetooth LED Controller



STN Series

RGBW Color-Changing LED Strip Light Kit Specifications

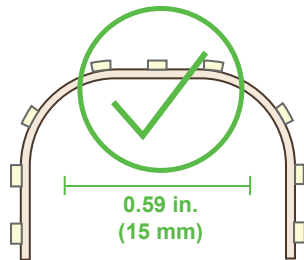
Specifications

Strip Specifications	
Beam Angle	120°
Brightness	204 lm/ft (670 lm/m)
Connection Type	Pigtail
CRI	80+
Dimmable	Yes
Input Voltage	24 VDC
IP Rating	IP20
LED Density	18 LEDs/ft (60 LEDs/m)
LED Lifetime	50,000 hours
LED Type	5050 SMD
LEDs per Segment	10
Length	16.4 ft (5 m)
Minimum Cut Length	6.6 in. (167 mm)
Max Run	Up to 23 ft (7 m)
Strip Width	0.47 in. (12 mm)
Wattage Per Foot	2 W/ft (6.6 W/m)
Wattage Total	32 W
Wire Length	20 in. (508 mm)
Standards And Certifications	UL Listed, CE, RoHS Compliant
LED Color Options	RGB+Warm White 3000 RGB+Natural White 4000K RGB+Cool White 5000K

Controller Specifications	
Input Connection	5.5mm Barrel Connector
Control Range	Up to 82 ft (25 m)
Input Voltage	9-24 VDC
Output Voltage	9-24 VDC
Rated Current	15 A
IP Rating	IP20
Remote Type	Smartphone (Bluetooth)

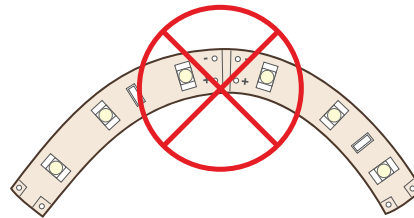
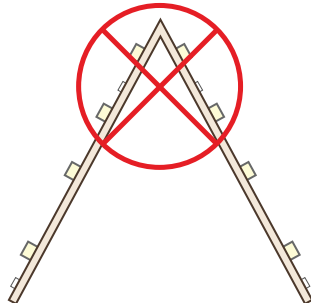
Power Adapter Specifications	
Input Connection	1-15P Plug
Input Voltage	120 VAC
Output Connection	5.5 mm Barrel Connector
Output Voltage	24 VDC
Standards And Certifications	UL Listed, FCC, RoHS
Wattage	60 W
IP Rating	IP20
Cord Length	47 in. (119 cm)

STRIP FLEXIBILITY



Bends less than 15mm will damage circuit traces and void warranty.

Bending strips at sharp angles will damage circuit traces and void warranty.



Bending strips on horizontal plane will damage circuit traces and void warranty.

