

MRKD-x22-40W



#### Features

- 100-277 VAC
- 80+ CRI
- L70 rated 50,000 hour lifetime
- Built-in magnets for easy mounting
- Easy to install ballast bypass design

#### Construction

Light strips are manufactured with an aluminum housing featuring built-in neodymium magnets. The driver housing also uses included magnetic mounting.

#### Application

These easily replace inefficient fluorescent tubes found in troffers, linear low bay lights, and lighted signs without the need for a new fixture. Common applications include warehouses, workshops, supermarkets, factories, gyms, general retail locations, offices, schools, hospitals, and other areas currently utilizing inefficient fluorescent tubes.

#### Specifications

Model	MRKD-xK14-30W	MRKD-xK22-40W	MRKD-xK24-50W
Intensity <sup>2</sup>	3,900 lm	up to 5,200 lm	up to 6,500 lm
Operating Voltage	100-277 VAC		
Power Consumption	30 W	40 W	50 W
Current Draw	0.25 A @120 VAC	0.33 A @120 VAC	0.42 A @120 VAC
Efficacy	130 lm/W		
Color Temperature	4000K or 5000K (as ordered)		
Beam Angle	125°		
CRI	80+		
Dimming	0-10 V		
IP Rating	IP20		
Ambient Operating Temperature	-4°-104° F (-20°-40° C)		
Rated Life (L70)	50,000 hours		

#### Available Models<sup>1</sup>

- MRKD-40K14-30W                       MRKD-40K24-50W  
 MRKD-40K22-40W                 MRKD-50K24-50W  
 MRKD-50K22-40W

#### Part Number Breakdown

Example: MRKD-40K22-40W

Family	Color Temperature	Size	Wattage
MRKD	40K [4000K] or 50K [5000K]	14 [two 4 ft strips]	30W [30 W]
		22 [three 2 ft strips]	40W [40 W]
		24 [three 4 ft strips]	50W [50 W]

#### Optional Accessories

- 5-15P power cord (part number POWERCORD)

#### Certifications and Compliances

These retrofit kits are Certified by UL in compliance with UL 1598 and UL 1598C.



#### Warranty

Five (5) Year Warranty



T 866.811.5550

F 314.972.6202

email: commercial-sales@superbrightleds.com

www.superbrightleds.com/cat/industrial-led-lighting/

<sup>1</sup>Contact customer service if interested in models other than those listed.

<sup>2</sup>Depending on the type of fixture the retrofit kit is installed into, the intensity may vary.

## MRKD Series

### LED Strip Light Retrofit Kit Specifications

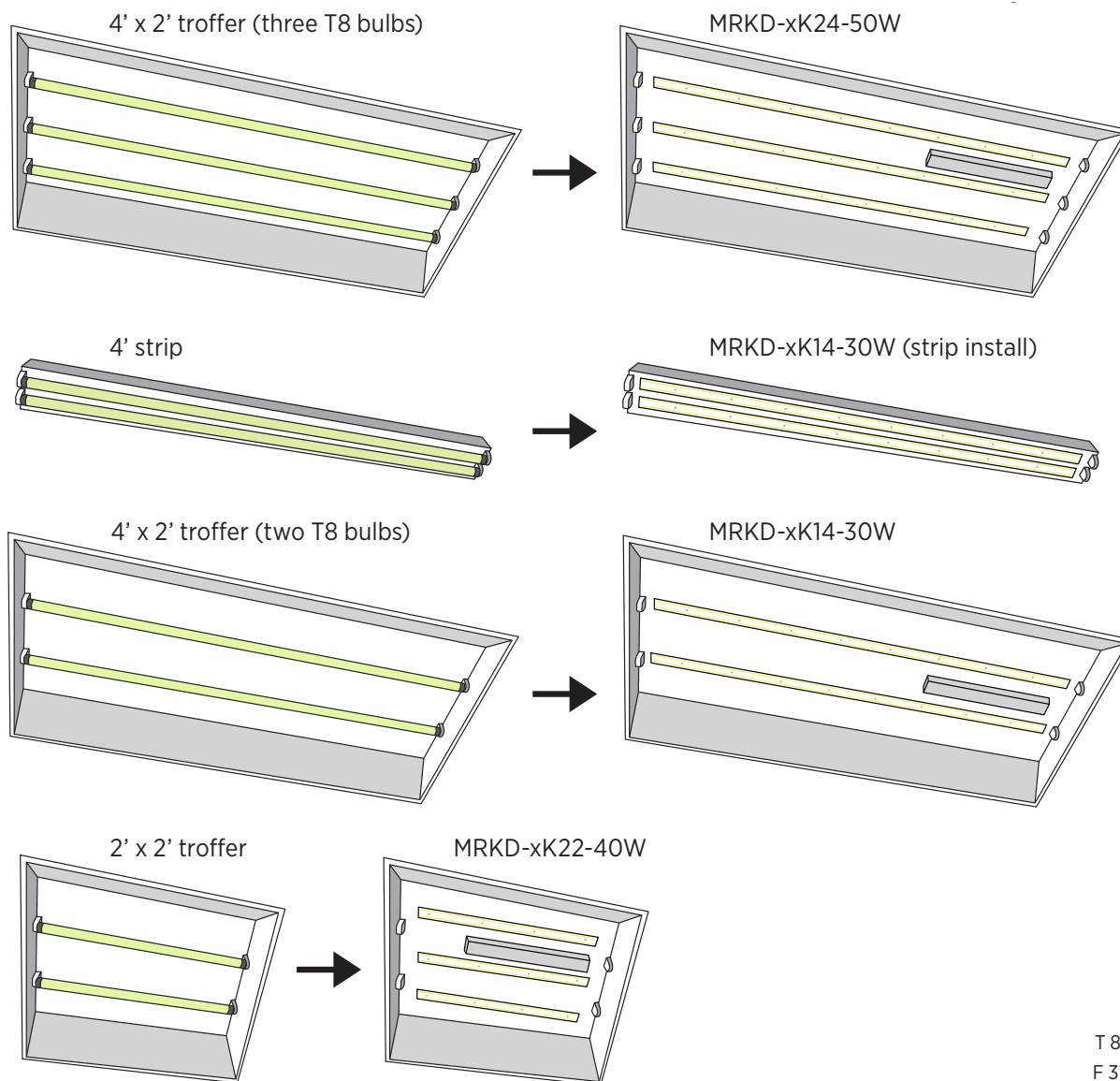
#### Output Equivalencies

MRKD-xK14-30W	two 28 W fluorescent T8 tubes / 4' x 1' troffer / 4' strip light
MRKD-xK22-40W	two to three 17 W fluorescent T8 tubes / 2' x 2' troffer
MRKD-xK24-50W	two to three 32 W fluorescent T8 tubes / 4' x 2' troffer

#### Typical Installations

An installer can simply remove the old fluorescent tubes, disconnect the existing ballast, connect the driver for the magnetic strips to power, and place the magnet side of the driver onto the fixture. Magnetic strips can then simply be placed in the fixture using built-in magnetic mounts and connected to driver to finish the installation.

This type of installation saves time and money, doesn't require the installer to know what kind of ballast or bulb type the original fixture uses, while also providing bright, efficient, high CRI lighting.

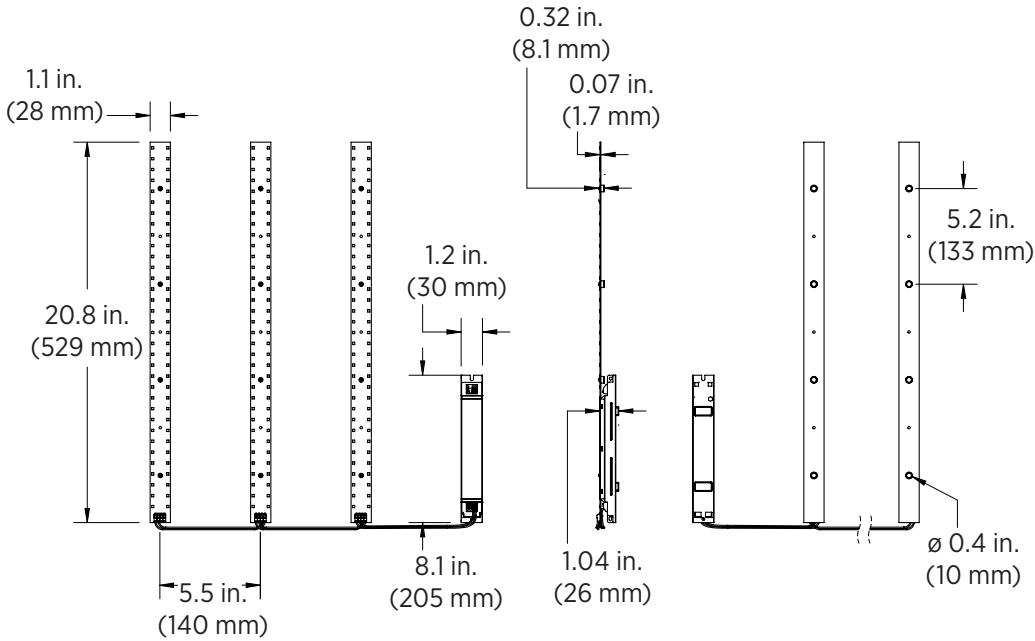


# MRKD Series

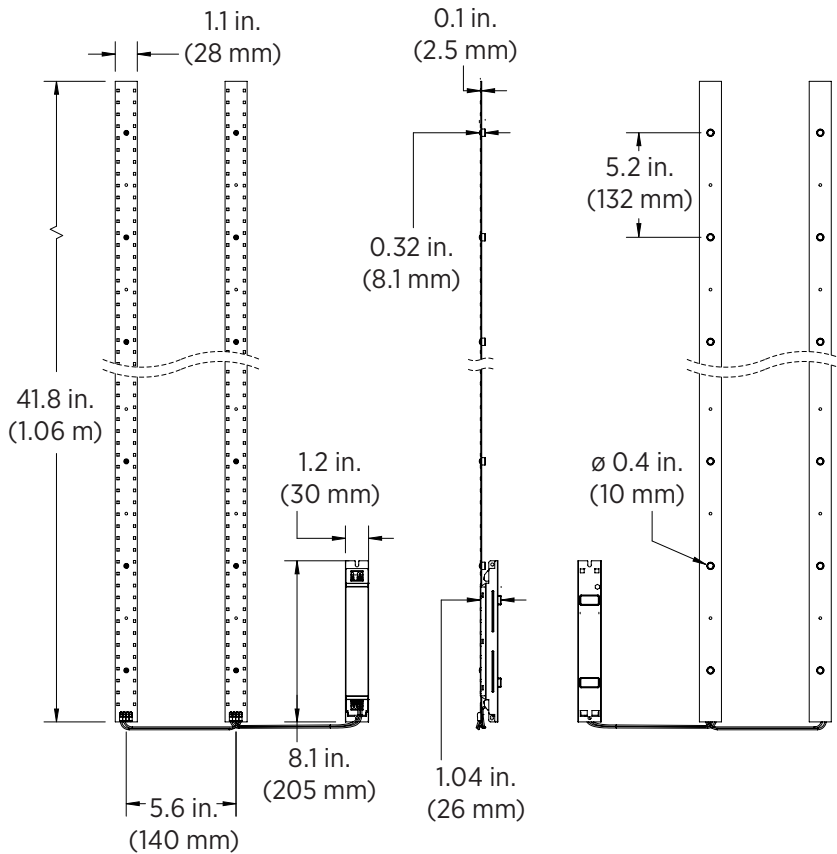
LED Strip Light Retrofit Kit Specifications

## Dimensional Drawings

### MRKD-xK22-40W



### MRKD-xK14-30W



# MRKD Series

LED Strip Light Retrofit Kit Specifications

## Dimensional Drawings

### MRKD-xK24-50W

