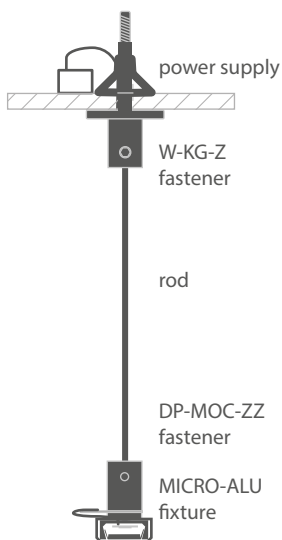
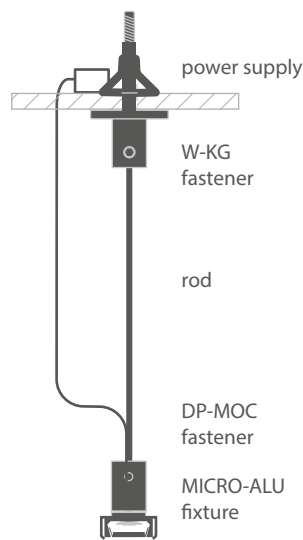


Instruction includes the following mounting methods:

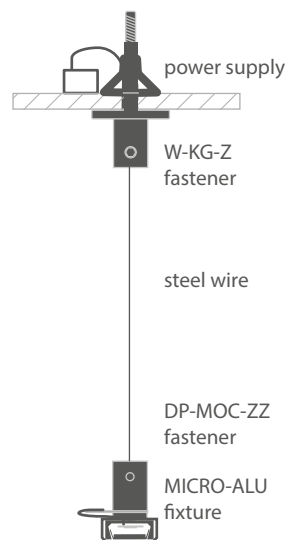
1) Rod - conductive driven power supply, with an external power connector



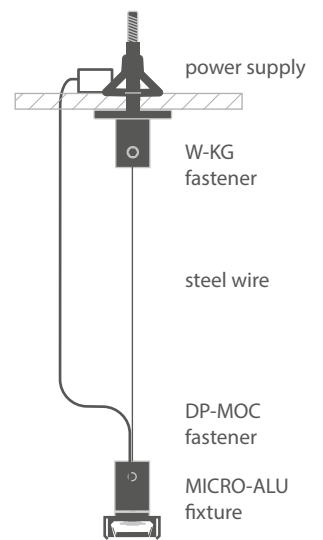
2) Rod - non-conductive (drop lead)



3) Wire - conductive driven power supply, with an external power connector



4) Wire - non-conductive (drop lead)



If fully built fixtures are ordered and received from KLUS please skip to p. 2, step 5.

If fully built fixtures are ordered and received from KLUS please skip to p.3, step 5.

If fully built fixtures are ordered and received from KLUS please skip to p. 4, step 5.

If fully built fixtures are ordered and received from KLUS please skip to p. 5, step 5.

Tools needed for mounting:

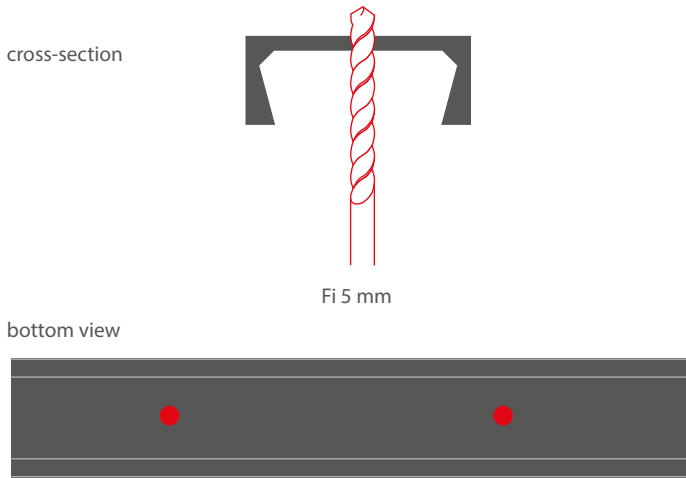
- drill
- pliers
- allen wrench
- soldering iron

NOTE! All LED strips must be connected to a 12 V or 24 V power supply.

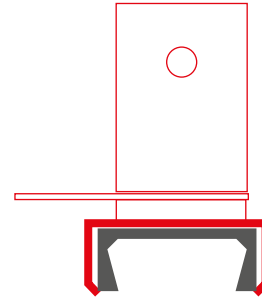
IMPORTANT: The manual presents the simplest mounting procedure.
More mounting procedures and related accessories can be found at klusdesign.com

*If fully built fixtures are ordered and received from KLUS please skip to step 5

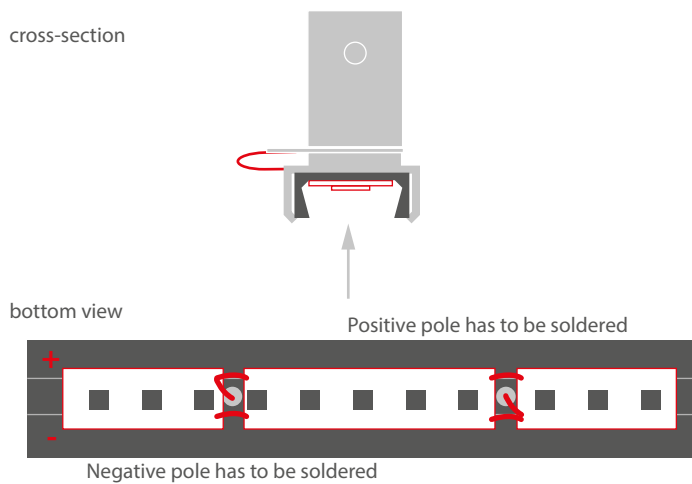
1. Drill 2 holes with a diameter of 5 mm in the selected extrusion to lead the power cables.



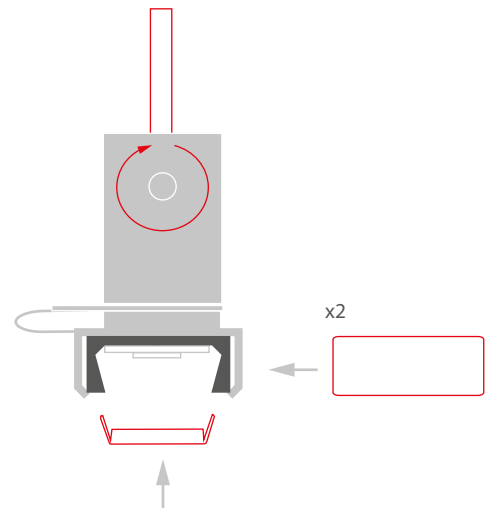
2. Insert the extrusion into the mounting bracket of the head. Manual for the DP-MOC-ZZ fastener can be downloaded [here](#).



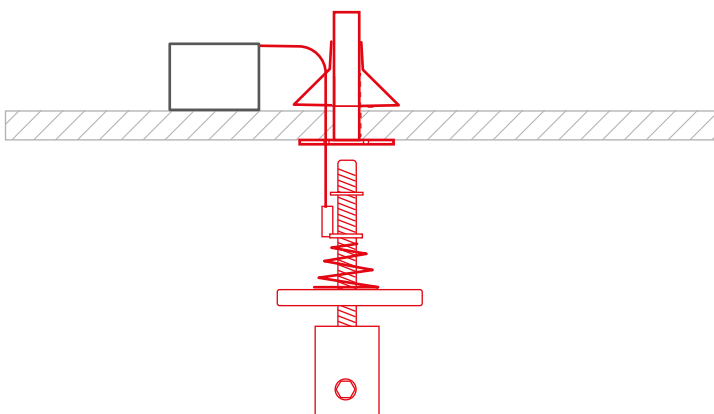
3. Mount the LED strip in the extrusion and lead the cables through pre-drilled smaller holes. Then lead them to the connectors of the DP-MOC-ZZ fasteners. Each hole should lead a cable with one power pole, LED strip has to be cut before installation, so the wires can be easily routed to the holes.



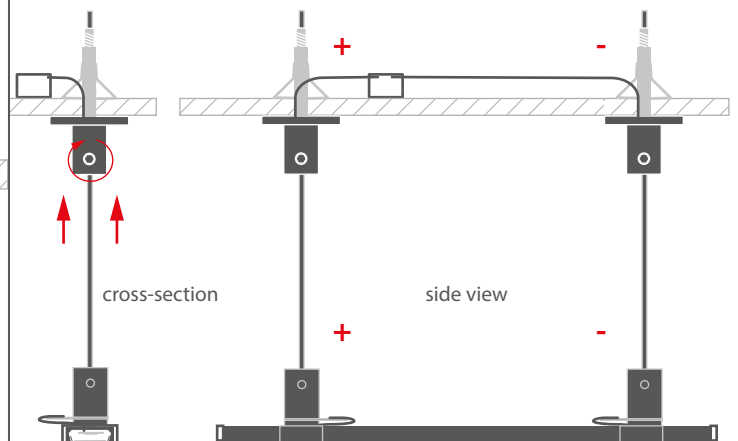
4. Install the rod, cover and both end caps.



5. Install the W-KG-Z ceiling fasteners. The fastener installation manual can be downloaded [here](#). Connect the cables, each for the single power pole to the fasteners. The cables should go through a pre-drilled hole just under the masking cover of the fastener.

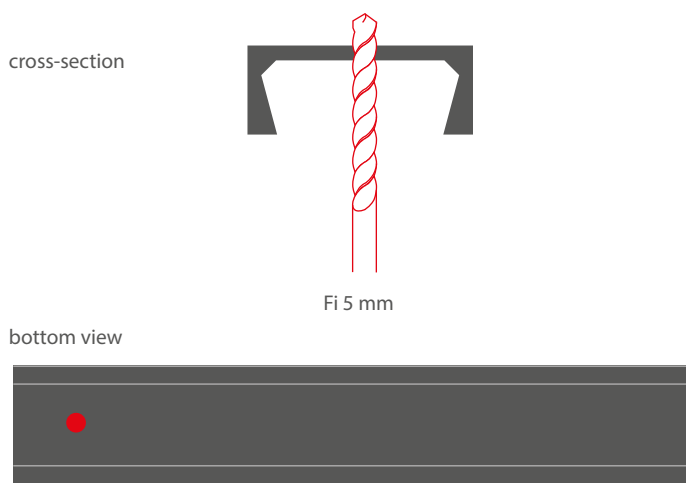


6. Mount the fixture with rods into the ceiling fasteners. Mind that the power poles connected to the rods should match the ones connected to the fasteners.

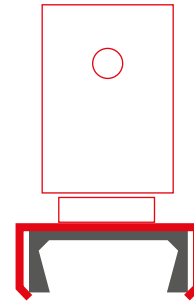


*If fully built fixtures are ordered and received from KLUS please skip to step 5

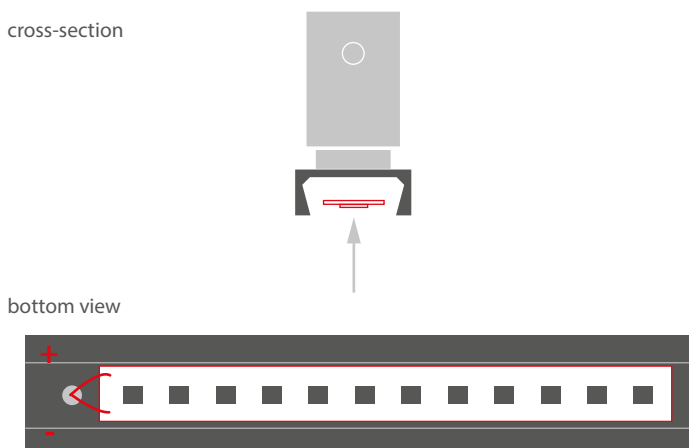
1. Drill a hole with a diameter of 5 mm in the selected extrusion to lead the power cable.



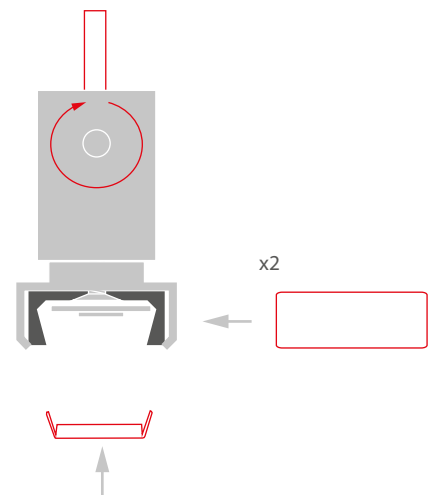
2. Insert the extrusion into the mounting bracket of the head. Manual for the DP-MOC fastener can be downloaded from [here](#).



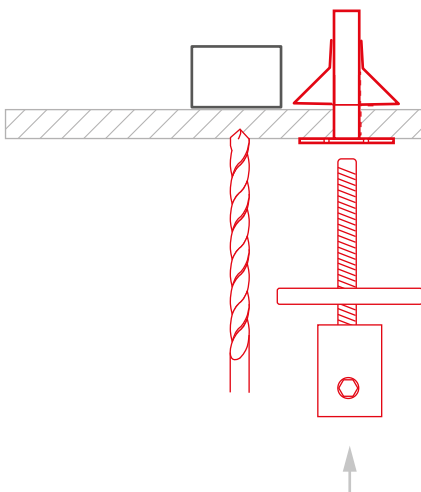
3. Mount the LED strip in the extrusion and lead the cable through a pre-drilled hole.



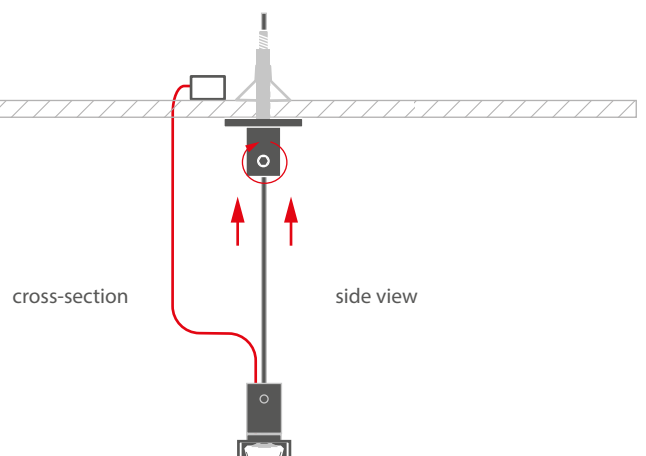
4. Install the rod, cover and both end caps.



5. Install the W-KG ceiling fasteners. The fastener installation manual can be downloaded [here](#). Place the power supplier next to the fastener and drill the ceiling to lead the cable to it.

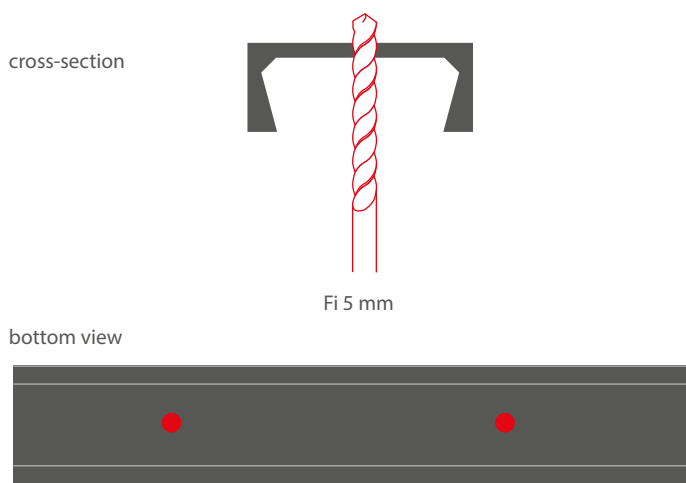


6. Mount the fixture with rods into the ceiling fasteners. Connect the powering cable.

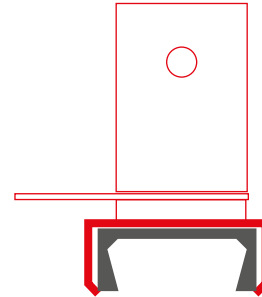


*If fully built fixtures are ordered and received from KLUS please skip to step 5

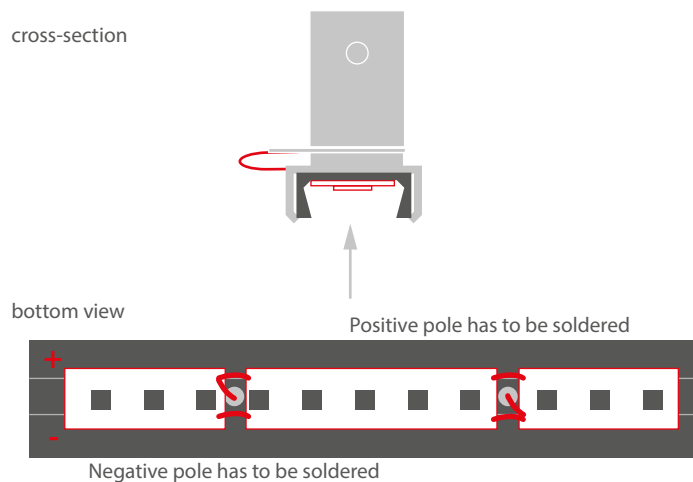
1. Drill 2 holes with a diameter of 5 mm in the selected extrusion to lead the power cables.



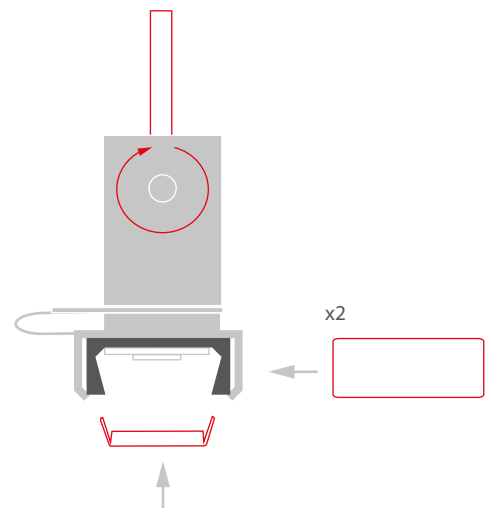
2. Insert the extrusion into the mounting bracket of the head. Manual for the DP-MOC-ZZ fastener can be downloaded [here](#).



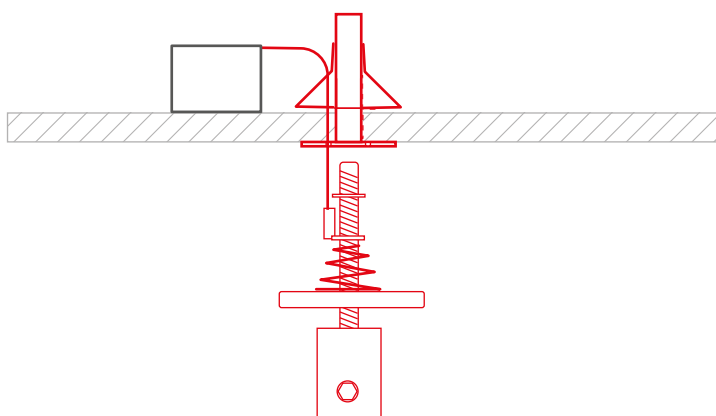
3. Mount the LED strip in the extrusion and lead the cables through pre-drilled smaller holes. Then lead them to the connectors of the DP-MOC-ZZ fasteners. Each hole should lead a cable with one power pole, LED strip has to be cut before installation, so the wires can be easily routed to the holes.



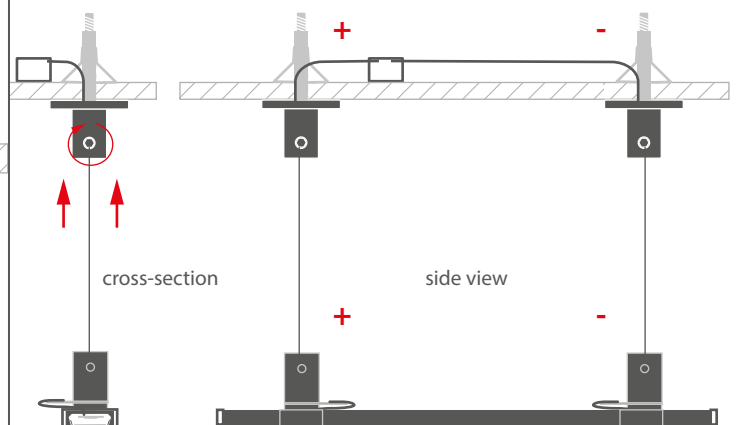
4. Install the rod, cover and both end caps.



5. Install the W-KG-Z ceiling fasteners. The fastener installation manual can be downloaded [here](#). Connect the cables, each for the single power pole to the fasteners. The cables should go through a pre-drilled hole just under the masking cover of the fastener.

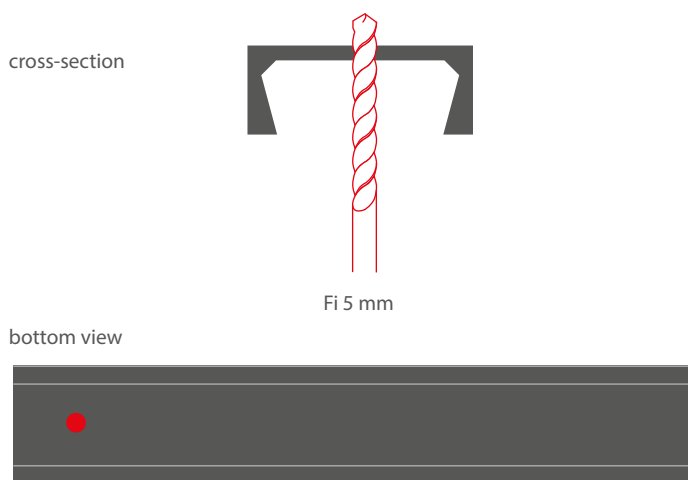


6. Mount the fixture with rods into the ceiling fasteners. Mind that the power poles connected to the rods should match the ones connected to the fasteners.

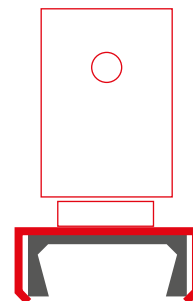


*If fully built fixtures are ordered and received from KLUS please skip to step 5

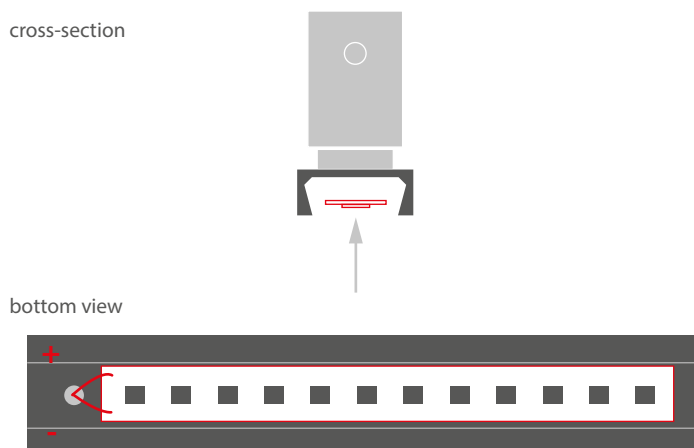
1. Drill a hole with a diameter of 5 mm in the selected extrusion to lead the power cable.



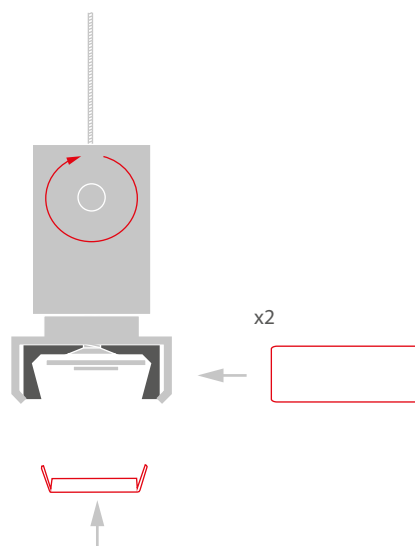
2. Insert the extrusion into the mounting bracket of the head. Manual for the DP-MOC fastener can be downloaded [here](#).



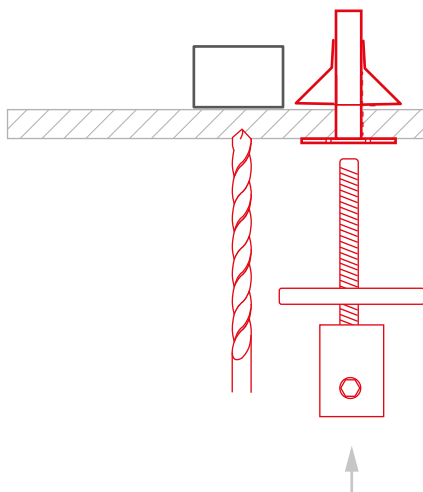
3. Mount the LED strip in the extrusion and lead the cable through a pre-drilled hole.



4. Install the steel wire, cover and both end caps.



5. Install the W-KG ceiling fasteners. The fastener installation manual can be downloaded [here](#). Place the power supplier next to the fastener and drill the ceiling to lead the cable to it.



6. Mount the fixture with rods into the ceiling fasteners. Connect the powering cable.

