

**Important: Read all instructions prior to installation.**

## LED Strobe Light Bar



### Safety and Notes

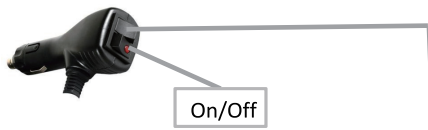
- The strobe light bar is designed to plug in with a cigar adapter (12–24 VDC). Ensure your vehicle's electrical system can handle the additional load. Using incompatible power sources may lead to malfunctions.
- Install the strobe light bar in a location that does not interfere with airbags or vehicle sensors
- Recognize local laws and regulations regarding the use of strobe lights on vehicles. In some areas, specific colors, patterns, or usage restrictions may apply.
- Use considerably to maintain road safety for all motorists. Excessive use can distract other drivers.

### Specifications

Environmental Specifications	
Operating Voltage	12–24 VDC
IP Rating	IP67
Operating Temperature	-22°–140° F (-30°–60° C)

Check product label for specific electrical specifications related to installation. Improper installation will void warranty.

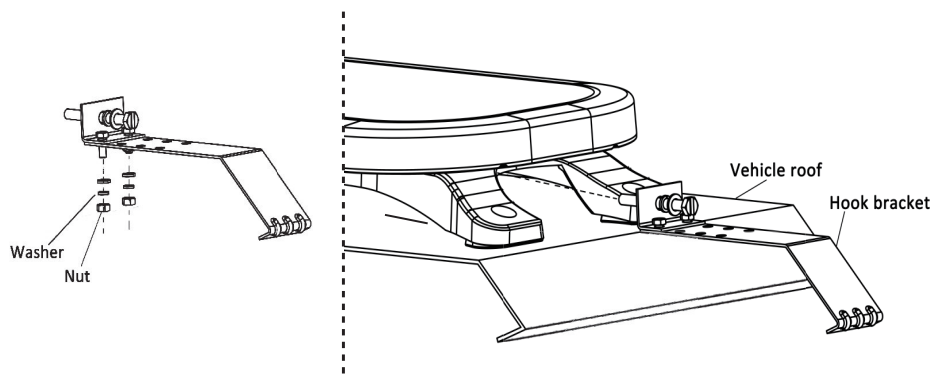
### Cigarette Adapter



#### Flash pattern

- .....Less than 1s for next pattern
- .....1-3s for previous pattern
- .....3-5s for color 2, 3-5s again for two colors alternate flash, 3-5s again back to color 1, cycle operating like this. (only available for dual color - 600mm length)
- .....Over 5s for low power, 5s again back to high power (available for 600-1512mm length)

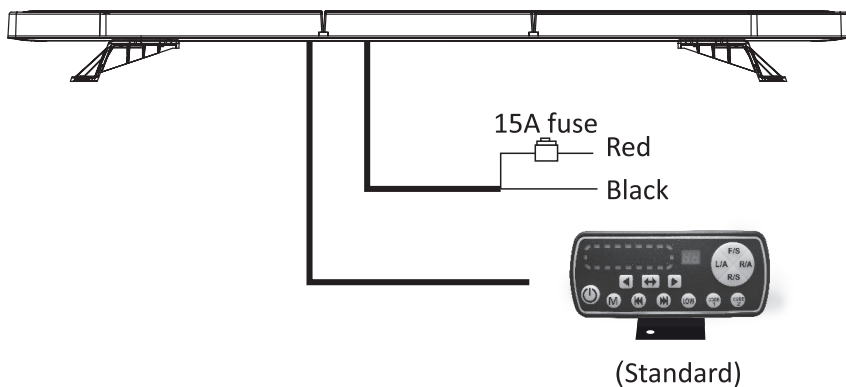
### Mounting Instructions



Important: Read all instructions prior to installation.

## LED Strobe Light Bar

### Controller Installation



	ON/OFF (Power)		Left arrowstick
	ON/OFF (Mode)		Middle to side arrowstick
	Previous pattern		Right arrowstick
	Next pattern	F/S	Front spot
	Day/Night mode	R/S	Rear spot
	Steady on	L/A	Left alley
	Fast back to pattern #1	R/A	Right alley

### Flash Patterns

#### 22" Light Single Color

1	Single (ECE R65)	14	CW Rotation
2	Single - Slow	15	CCW Rotation
3	Double (ECE R65)	16	CW Constant Flash
4	Triple	17	CCW Constant Flash
5	Quad (ECE R65)	18	CW Single
6	Octa	19	CCW Single
7	Twelve	20	CW - CCW Constant Flash
8	Half / Half - Octa	21	Double - Rotation
9	Cross - Octa	22	All Quick - Half Quad
10	One - One Single	23	All Quick - Single - Fast Quad
11	One - One Octa	24	Left Steady - Right Single
12	CW Triple	25	Right Steady - Left Single
13	CCW Triple	26	Steady On

#### 22" Light Dual Color

1	Single (ECE R65)	14	CW Rotation
2	Single - Slow	15	CCW Rotation
3	Double (ECE R65)	16	CW Constant Flash
4	Quad (ECE R65)	17	CCW Constant Flash
5	Octa	18	CW Single
6	Left Color1 / Right Color2 - Octa	19	CCW Single
7	Cross Color1/Color2 - Octa	20	CW - CCW Constant Flash
8	Half / Half - Octa	21	Double - Rotation (Color1/Color2)
9	Cross - Octa	22	All Quick - Half Quad
10	One - One Single	23	All Quick - Single - Fast Quad
11	One - One Octa	24	Left Steady - Right Single
12	CW Triple	25	Right Steady - Left Single
13	CCW Triple	26	Steady On

#### 48" Light

1	Cycle (9,15,11,7,2)	16	One - One Octa Flash (fast)
2	Single Flash (slow)	17	Center - out single flash (slow)
3	Single Flash (ECE R65)	18	Center - out single flash (fast)
4	Double Flash (ECE R65)	19	CW rotation
5	Triple Flash	20	CCW rotation
6	Quad Flash (ECE R65)	21	CW constant flash
7	Octa Flash	22	CCW constant flash
8	Single half to half (ECE R65)	23	CW - CCW Constant Flash
9	Double half to half (ECE R65)	24	Left arrow
10	Triple half to half	25	Right arrow
11	Quad half to half (ECE R65)	26	Middle to side arrow
12	Octa half to half	27	Arrow combination
13	One - One Single Flash (slow)	28	Left Single Flash
14	One - One Single Flash (fast)	29	Right Single Flash
15	One - One Octa Flash (slow)	30	Steady On

