

Important: Read all instructions prior to installation. SAVE THESE INSTRUCTIONS.

Wet Location Rated LED Exit Sign

Specifications

Model	XS-RWL	XSC-RWL
IP Rating	IP65	
Operating Temperature	-4°–104° F (-20°–40° C)	

Important Safeguards

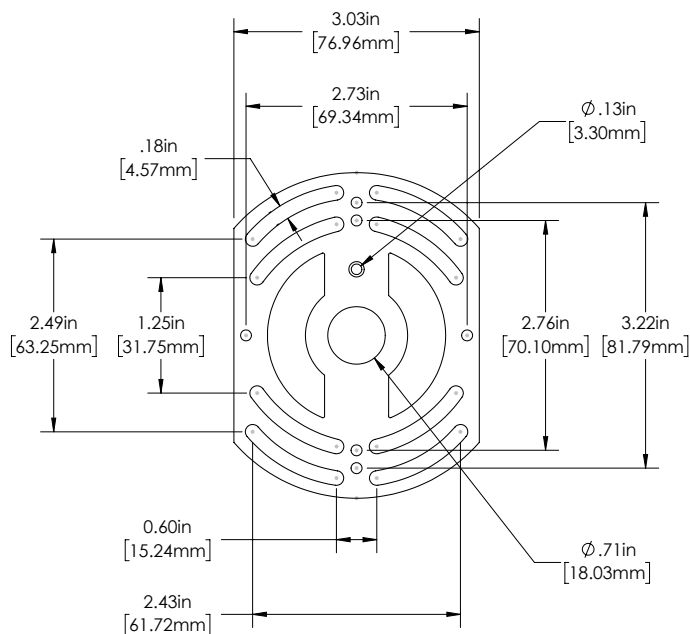
Read and follow all safety instructions. When using electrical equipment, basic safety precautions should always be followed including the following:

- This product should be installed and serviced by a certified electrician in accordance with applicable national, state, and local building and electrical codes.
- Light must be maintained, tested, and serviced in accordance with all applicable National Fire Protection Association (NFPA) and local codes.
- To reduce the risk of electric shock, ensure that the main power source and circuit breakers are switched off before performing any installation or wiring procedures.
- Ensure fixture is securely mounted and mount will support weight of the fixture. Failure to properly support fixture may result in damage or injury, for which the manufacturer does not assume responsibility.
- Equipment should be mounted in locations and at heights where it will not be subjected to tampering by unauthorized personnel.
- May be used outdoors if within operating temperature range.
- Do not mount near gas or electric heaters or any other radiant heat sources.
- Use caution when handling or servicing the battery pack.
- For conduit wiring installation, use flexible conduit only
- The use of accessory equipment not recommended by the manufacturer may cause an unsafe condition.
- Do not use this equipment for anything other than its intended use and do not use with accessories not included with this equipment.
- Do not repair or modify arbitrarily. Do not replace any part of the light including LED board and transformer/driver without consulting the manufacturer or authorized distributors.
- Battery in this unit may not be fully charged when purchased. After electricity is connected to the unit, let the battery charge for at least 24 hours before testing.



XSC-RWL

Mounting Plate Dimensions



Wiring Diagram



¹Limited 2-year warranty on battery.

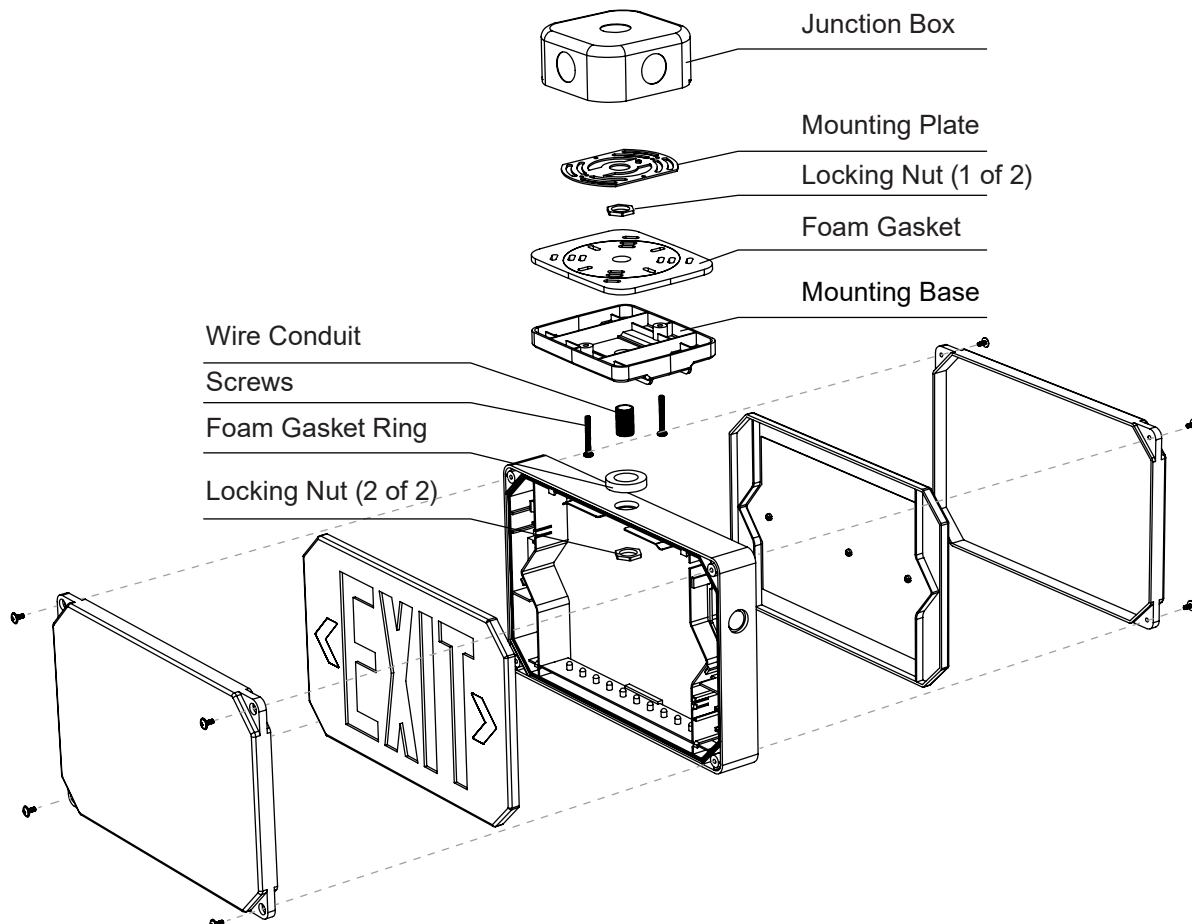


Important: Read all instructions prior to installation. SAVE THESE INSTRUCTIONS.

Wet Location Rated LED Exit Sign

Ceiling or Side Mount Installation

1. Disconnect supply power.
2. Carefully remove the waterproof cover and "EXIT" panel.
3. Remove opposite side and install additional exit panel for dual-sided use if desired.
Remove arrow knockout(s) if desired before replacing waterproof panel.
4. Drill out hole on top or side as needed for wiring/mounting.
5. Attach bracket to light with wire conduit in place, using the below diagram for reference.
6. Install mounting plate on junction box.
7. With foam gasket in place and mounting base attached to light, run wiring through mounting bracket and connect wiring. Make sure to cap the unused wire.
8. Attach light to mounting plate.
9. Connect battery.
10. Reinstall "EXIT" panel and remove directional arrow knockouts as needed.
11. Reinstall waterproof cover.
12. On XSC-RG, aim emergency light heads as needed.
13. Restore supply power and allow battery pack to charge for at least 24 hours before initial test.
14. After 24-hour period, press test button to make certain light is functioning as intended.



¹Limited 2-year warranty on battery.

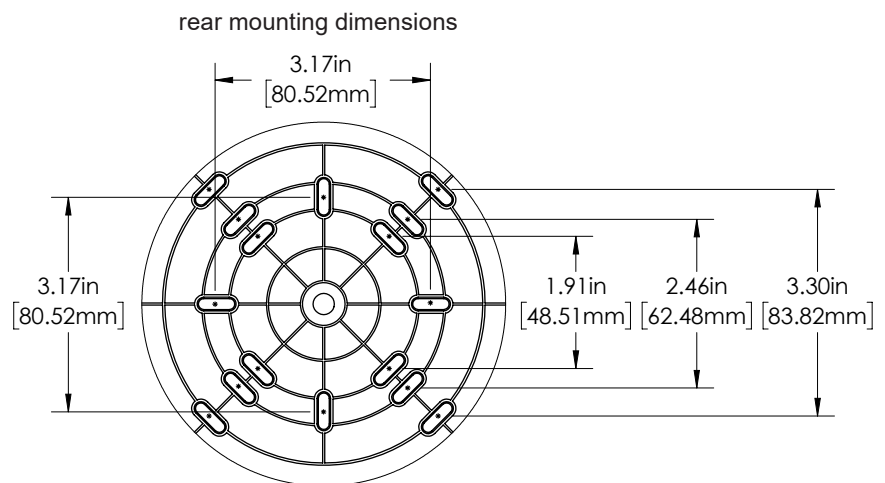
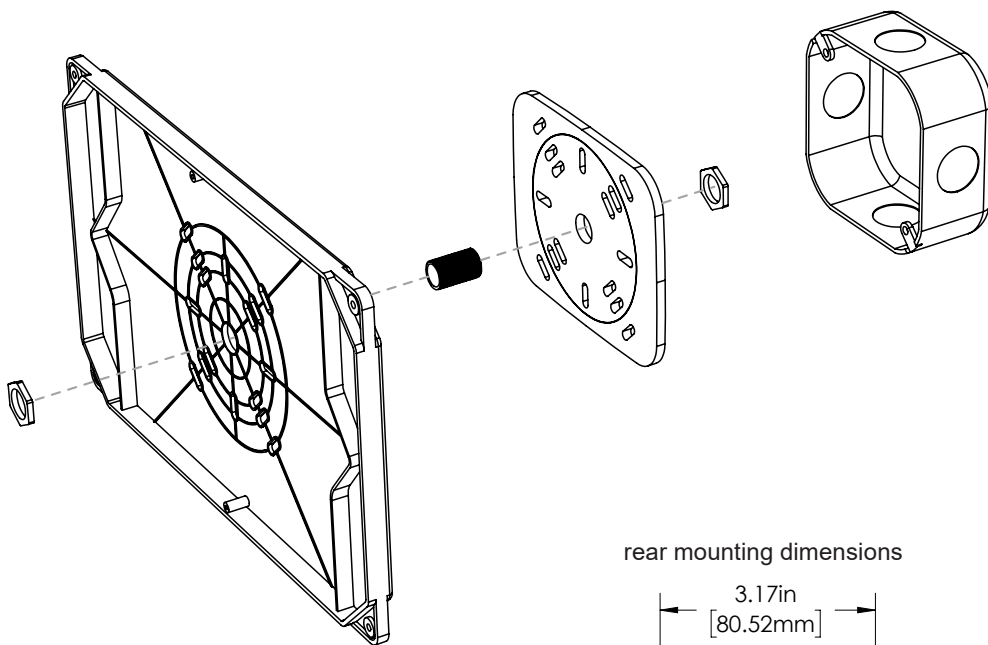


Important: Read all instructions prior to installation. SAVE THESE INSTRUCTIONS.

Wet Location Rated LED Exit Sign

Rear Wall Installation

1. Disconnect supply power.
2. Carefully remove the waterproof cover and "EXIT" panel.
3. Drill out hole on rear panel as needed for wiring/mounting.
4. Attach wire conduit to rear of light.
5. With foam gasket in place, run wiring through and connect wiring. Make sure to cap the unused wire.
6. Attach light to junction box.
7. Connect battery.
8. Reinstall "EXIT" panel and remove directional arrow knockouts as needed.
9. Reinstall waterproof cover.
10. On XSC-RG, aim emergency light heads as needed.
11. Restore supply power and allow battery pack to charge for at least 24 hours before initial test.
12. After 24-hour period, press test button to make certain light is functioning as intended.



¹Limited 2-year warranty on battery.

